

2019 MASTER CATALOG



800-321-5336

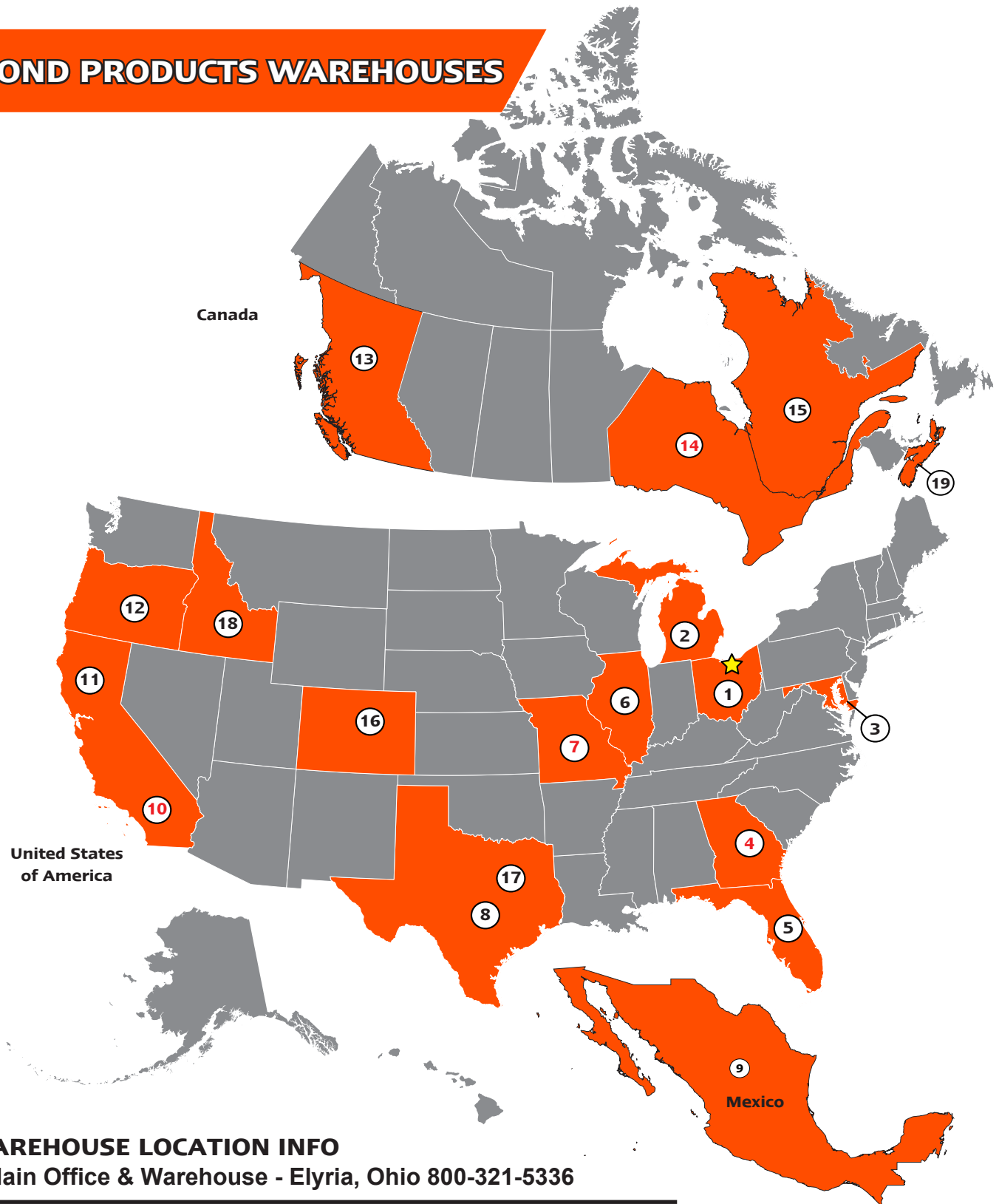
www.diamondproducts.com

Quality Is Choice



U.S.A. Pricing
Valid January 5, 2019
to January 5, 2020

DIAMOND PRODUCTS WAREHOUSES



WAREHOUSE LOCATION INFO

★Main Office & Warehouse - Elyria, Ohio 800-321-5336

- | | |
|--|---|
| 1. Cleveland, OH - 216-712-6973 | 11. Hayward, CA - 510-264-9199 |
| 2. Kentwood, MI - 616-554-4686 (Specialty Equipment) | 12. Portland, OR - 503-232-3480 |
| 3. Annapolis Junction, MD - 800-342-4750 | 13. Coquitlam, BC Canada - 604-628-7272 |
| 4. Atlanta, GA - 888-472-2930 - Regional Warehouse | 14. Mississauga, ON Canada - 905-565-1355 - Regional Warehouse |
| 5. Orlando, FL - 407-896-1800 | 15. L'Assomption, PQ Canada - 514-990-2262 |
| 6. Franklin Park, IL - 847-678-9543 | 16. Aurora, CO - 303-373-2121 |
| 7. Blue Springs, MO - 877-990-1385 - Regional Warehouse | 17. Dallas, TX - 972-247-8871 |
| 8. Stafford, TX - 281-491-0351 | 18. Nampa, ID - 800-225-0142 (Grooving & Grinding Division) |
| 9. Monterrey, Mexico - +52 (81) 8307-7477 | 19. Oxford, NS Canada - 888-715-5111 |
| 10. Orange, CA - 714-282-7816 - Regional Warehouse | |

DIAMOND BLADES TABLE OF CONTENTS



Table of Contents	1-7
Literature and Merchandising	8
Point of Purchase Products Marketing Aids	9
Aggregate Map of the USA and Canada	10
Diamond Cutting Process	11
Diamond Blade Information	12
Website and Online Information	13
RPM Charts	14
Electrical Information	15

DIAMOND BLADES TABLE OF CONTENTS



WET BLADES

Imperial Purple Cured Walk Behind Wet Blades	16
Heavy Duty Orange Cured Walk Behind Wet Blades	17
Premium Black Cured Walk Behind Wet Blades	18
Pro Blue Cured Walk Behind Wet Blades	19
Super Premium Silver Cured Walk Behind Wet Blades	20
Mega Premium Green Cured Walk Behind Wet Blades	21
Giga Titanium Cured Walk Behind Wet Blades	22
Imperial Purple Asphalt/Green/Overlay Walk Behind Wet Blades	23
Heavy Duty Orange Asphalt/Green/Overlay Walk Behind Wet Blades	24
Premium Black Asphalt/Green/Overlay Walk Behind Wet Blades	25
Pro Blue Asphalt/Green/Overlay Walk Behind Wet Blades	26
Super Premium Silver Asphalt/Green/Overlay Walk Behind Wet Blades	27
Wall Saw/Hand Saw Blade Information and Specifications	28
Hydraulic Hand Saw Blades	29
Wall Saw Blades - Premium Black, Pro Blue	30
Wall Saw Blades - Super Premium Silver	31
Crack Saw & Loop Blades	32
Bevel & Refractory Blades	33
Joint Widening Blades	34
Chamfer & Grinding Blades	35
Floor Grinding Heads	36-37
Diamond Wire & Accessories	38-39
Ring Saw Blades	40

DRY BLADES

Dry Blade Specification Charts & Blade Bushings	41
High Speed Dry Blades	42-43
High Speed Ultimate Blades	44
High Speed Specialty Blades	45
High Speed Turbo Blades	46-47
X-Line Turbo Blades	48
High Performance Turbo Blades	49
Small Diameter Blades	50-51
Masonry Blades	52-53
Tuck Point Blades & V-Crack Blades	54-55
Cup Grinders - Single & Double Row & Low Profile Cups	56-57
Turbo Cup Grinders	58-59
Core Prep Surface Products	60-61
First-Cut Blades	62-63
First-Cut Skid Plates & True Early Entry System Information	64-65
Dry Walk Behind Blades	66-67
Tile Blades	68

SAWING EQUIPMENT TABLE OF CONTENTS



Tile Saws - CC600T, CC900TE, CC1000T	70-71
DS3011 Hand Polisher	72
CC300M Masonry Saw	73
CC500MXL2 Masonry Saw	74-75
CC800M Block Saw	76-77
CC800E & CC100 Single Head Floor Grinders	78-79
CC200 Dual Head Floor Grinder	80-81
CC1000 Mini Joint Cutting Saw	82
CC1100XL Small Joint Cutting Saw	83
CC150XL-EE First-Cut True Early Entry Saw	84
CC190PRO-EE First-Cut True Early Entry Saw	85
CC1200XL Portable Walk Behind Saw	86-87
CC1300XL Small Walk Behind Saw	88-89
CC1500E Modular Walk Behind Saw	90-91
CC1800XL Medium Walk Behind Saw	92-93
CC2500 Medium Walk Behind Saw	94-95
CC3500 Walk Behind Saw	96-97
CC3500E Electric Walk Behind Saw	98-99
CC5555GK Rear Pivot Saw	100-101
CC6561GK Gas Large Walk Behind Saw	102-103
CC6571D Liquid Cooled Large Diesel Walk Behind Saw	104-105
CC7574DD In-Line Deutz Turbo Diesel Walk Behind Saw	106-107
CC7574DK In-Line Kubota Turbo Diesel Walk Behind Saw	108-109
CC9074DK Deep Cut Saw	110-111
CC110D High Powered Deep Cut Saw	112-113
CC7874KT4 EZ Rider Saw	114-115
CC8574DD Rider Saw	116-117
CC2000 Curb Cutter	118-119
Fast-Cut SLR High Speed Hand Saw	120-121
C14, C14PRO & C16 Electric High Speed Hand Saws	122-123
WEKA High Cycle Hand Held Equipment	124-125
Hydraulic Hand Saws	126-127
Mini-Dragon Electric Ring Saw	128
Dragon Ring Saws - Hydraulic & Electric	129
HCH50 Chain Saw, Weka Chain Saw, Chains and Competition Chains and Bars	130-131
CC1600 Hydraulic Wall Saw	132-133
CC1600 Wall Saw Blade Guards	134-135
Hydrostress Wall Saw Systems - FZ-4S & WZ	136-137
WSE1217 Wall Saw System	138-139
WSE2226 Walk Saw System	140-141
Hydrostress SB, WCH14 & WCE14 Wire Saws	142-143
Hydrostress CCH25/CCE25 Circular/Plunge Wire Saws	144
WS25 Wire Saw System	145
WS30-XLE High-Cycle Wire Saw	146
WS50-XLE High-Cycle Wire Saw	147
Mobile Track Wire Saw	148
Wire Saw Accessories	149

CORE BORE TABLE OF CONTENTS



Core Bore Bit Information	150
Star Blue & Standard Gold Wet Bore	151
Heavy Duty Orange Wet Bore	152
Premium Black Wet Core Bore	153
Large Diameter Heavy Duty Orange & Premium Black	154-155
Professional Wet Core Bore & Commander Core Bore	156
Precast Wet Core Bore	157
Turbo Wet Core Bore	158
Great White Wet Core Bore	159
Thinwall Wet Core Bore	160
Plated Thinwall Wet Core Bore	161
Dry Hole Saws & Dry Vacuum Core Bore	162-163
Threaded Core Bits, Barrels and Caps	164-165
Carbide Rebar, Carbide Plate Cutter & Carbide Wood Core Bore	166
Specialty Core Bore Bits - Walk Duct, Step Bits & Pancake	167-168
Expansion Adapters & Information	169
Diamond Core Bore Segments and Crowns	170-173
Core Bore Bit Information	174
Core Bore Bit Resegmenting	175

CORING EQUIPMENT TABLE OF CONTENTS



M1-AA-15 Rigs	176
M-1 Core Bore Rigs	178-179
M-2 Heavy Duty Core Bore Rigs	180-181
M-3 Stair Core Bore Rigs	182-183
M-4 Portable Core Bore Rigs	184-185
M-5 Quick Disconnect Core Bore Rigs	186-187
M-5PRO Professional Quick Disconnect Core Bore Rigs	188-189
M-6 Large Hydraulic Core Bore Rigs	190-191
Hydraulic Motors and Accessories	192-193
UDM - Ultimate Drilling Machine	194
Milwaukee & Core Bore Mountable Motors	195
Weka Mountable Motors	196-197
CB515 & Weka Hand Held Motors	198-199
Core Bore Bit Adapters	200
Competition Style Drilling Adapters	201
Core Rig Masts/Columns	202
Core Bore Drilling Extensions	203
Drilling Accessories	204-205
Core Vac Dust Bandits	206-207
Core Vac CV258 & CV1900 Dust Control Vacuums	208-209
Drilling Accessories	210-211
Drilling Accessories - Spindles, Gaskets & Anchors	212-213
Drilling Accessories - Water Tanks and Trap Rings	214
Hydraulic Power Information	215
Hydraulic Power Units - CB15EXL, CB18BVXL, CB35BVXL & CB48D	216-217
Hydraulic Power Units - CB30EXL, CB40EXL & CB50E	218-219
Hydra-Gen Hydraulic Power System	220-221
CB74D Skid Mount & CB80DT Trailer Mounted Hydraulic Power Units	222-223
Custom Utility Truck	224-225

TYROLIT ABRASIVES TABLE OF CONTENTS



Tyrolit Abrasives Icons & Information	226
Abrasives Safety Information	227
Depressed Center Wheels - Cutting & Light Grinding	228-229
Depressed Center Wheels - Grinding	230-231
Super-Thin Cut-Off Wheels	232-233
Super-Thin Cut-Off Wheels	234
Small Diameter Cut-Off Wheels	235
High Speed Cut-Off Wheels with Universal Arbors	236-237
Cut-Off Wheels	238
Flap Discs	239-240
Resin Fiber Discs	241
Wire Brushes	242
Wire Wheels	243
Cups, Blocks, Stones & Grinding Wheels	244
Tyrolit Abrasive Labels Markings	245

GROOVING & GRINDING TABLE OF CONTENTS



PC6004EC Highway Grinder	246-247
PC4504 Pavement Bump Grinder	248-249
TBG134C Bridge Deck Groover	250
PC1500 Pavement Grinder & Groover	251
CG-1 & CG-2 Mini-Groovers	252-253
Warranty Information	254-255

LITERATURE & MERCHANDISING



Master Product Catalog
Full color catalog of diamond tools, abrasives and equipment
Part # LIT0003



First-Cut Booklet
Presenting the full line of early entry products - blades and saws
Part # LIT0016



DP Basics Booklet
Highlighting basic products for the Diamond Products Distributor
Part # LIT0017



Training Booklet
Offering instructional information on cutting and coring along with troubleshooting diamond tools.
Part # LIT0009

IT'S A KILL

The Great White Core Bore bit is a hole right through concrete with the diamond 'Shark-Tooth' segments. The segments offer fast coring and long life.

GREAT WHITE CORE BORE BIT		
Size	Part #	GWOL Cat #
2"	BGW2000	80088
2-1/2"	BGW2500	80089
3"	BGW3000	80094
3-1/2"	BGW3500	80095
4"	BGW4000	80096
4-1/2"	BGW4500	80100
5"	BGW5000	80101
6"	BGW6000	80102
8"	BGW8000	80103
10"	BGW10000	80105
12"	BGW12000	80106

SPECIFICATION:
GWOL - Long life coring in general purpose concrete with medium aggregate and reinforcement.

Profile view of the 'Shark-Tooth' segment offers fast coring and long life due to the pointed shape and colour.

MARKETING TOOLS

Diamond Products Limited
333 Prospect St., Elyria, Ohio 44035
800-321-5336 - diamondproducts.com

Great White Core Bore™ Poster 36" tall x 24" wide full color poster showing the Great White Core Bore™ Bits.
Part # MERGWOL

LITERATURE & MERCHANDISING ITEMS	
Description	Part #
Master Product Catalog	LIT0003
Training Booklet	LIT0009
First-Cut Booklet	LIT0016
DP Basics Booklet	LIT0017
Tyrolit Counter Display	POP0003
Great White Core Bore Poster	MERGWOL

POINT OF PURCHASE DISPLAYS

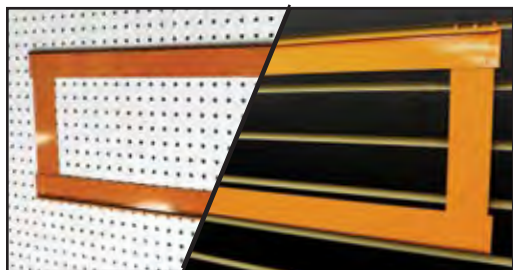
CUSTOM MODULAR DISPLAY STANDS

Custom Is the Way to Go!

Modular Design Lets You Pick Which Display Parts You Need For Your Products

- Lighted Sign Kit
- Abrasive Display Rack
- Core Bit Display Rack
- Multiple Different Display Hooks
- Header Image Sign and Sub Header Text
- Product Description and Pricing Hooks

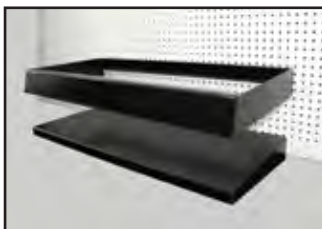
Header Signs, Shelving, Display Hooks, Literature Holders, Abrasive Shelf Holders and More



Ask About Options That Fit to Your Existing Slatwall or Pegboard



Shelving to hold product boxes and Hand Saws



Core Bit Holder



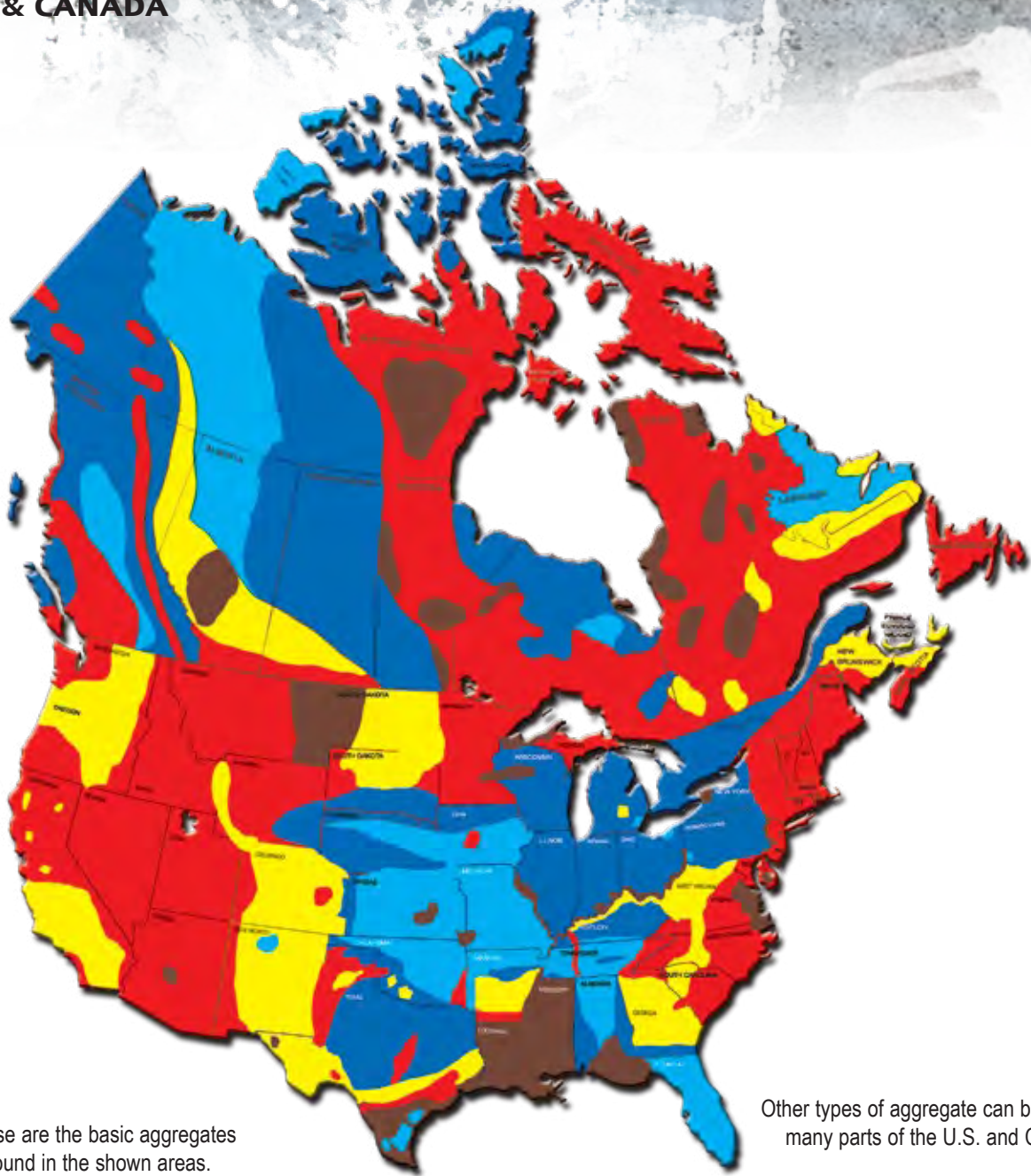
Header sign for graphic available with many options

DP WALL SKINS available in 4ft wide sections. Sticks to your existing pegboard or slat-walls. 3ft tall sections with top header give you an 8ft tall section.

Logo Header (1' tall x 4' wide) Part # GS0014A
Main wall skin panel (3' tall x 4' wide) Part # GS0024A

AGGREGATE MAP

U.S. & CANADA



These are the basic aggregates found in the shown areas.

Other types of aggregate can be found in many parts of the U.S. and Canada

Soft Limestone
Sandstone
Dolomite Limestone
Siliceous
Soft Shell



SOFT

Pit Gravel
Limestone
Dolomite



MEDIUM SOFT

Medium Hard River Rock
Medium Traprock
Decomposed Granite
Medium Crushed Gravel



MEDIUM

Granite
Slate
Traprock
Basalt
Quartzite



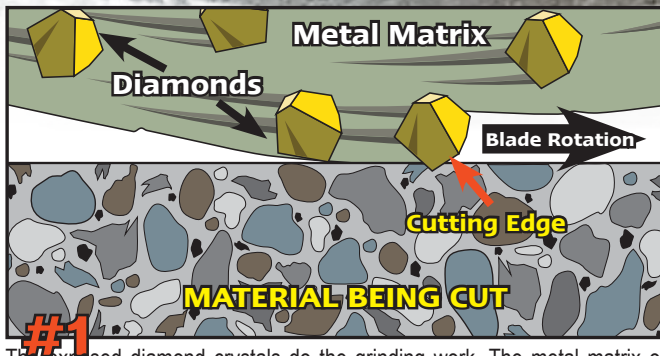
MEDIUM HARD

Hard Chert
Quartz
Flint Rock
Hard River Rock



HARD

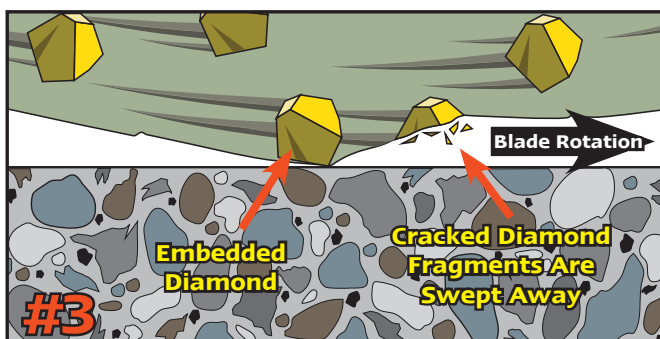
DIAMOND CUTTING PROCESS



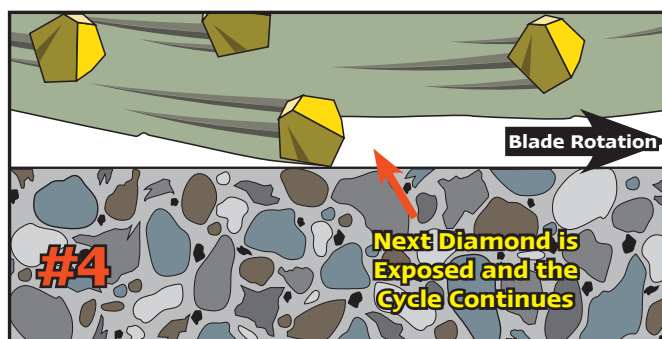
#1 The exposed diamond crystals do the grinding work. The metal matrix or bond holds the diamond in place. Trailing behind each exposed diamond is a bond tail which helps to support the diamond. As the blade rotates through the material, the exposed surface diamonds grind the material.



#2 After several thousand passes through the material, the exposed diamonds begin to crack and fracture. The matrix holding the diamonds also begins to wear away.



#3 Eventually the diamond completely breaks apart and its fragments are swept away with the material it is grinding. When the blade is cooled with water this material, included with water, produces slurry.



#4 As the old diamonds are fractured and worn away they are replaced by new diamonds and the process continues until the segments are worn down to the core.

#1 Rule for Diamond Blades:

Use a Hard Bond to Cut Something Soft and Use a Soft Bond to Cut Something Hard

DIAMOND QUALITY - YOU GET WHAT YOU PAY FOR



LOW QUALITY SYNTHETIC DIAMONDS

- Weaker crystals with irregular shape
- Shorter life & lower cutting rates
- Lower thermal stability
- Does not handle steel & hard aggregates well
- Jagged points that break causing faster wear & lower cutting & drilling performance
- Widely used in low priced dry products



MEDIUM QUALITY SYNTHETIC DIAMONDS

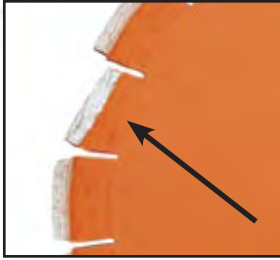
- Good crystal strength & shape
- Good for sawing & drilling applications
- Good cutting speed
- Handles moderate steel & hard aggregate applications



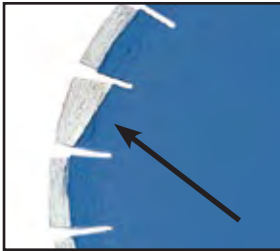
HIGH QUALITY SYNTHETIC DIAMONDS

- Strongest crystals
- Lasts longer
- Withstands high temperatures
- Octahedral shape for increased tool life & faster cutting
- High impact strength against steel & hard aggregate

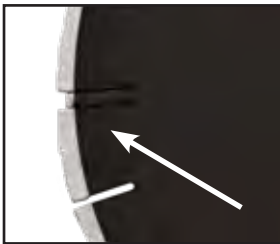
DIAMOND BLADE INFO



(X) Slant Seg Protection
No extra charge on any blade. Used on cured concrete, asphalt and green concrete blades when undercutting conditions are occurring
EXAMPLE BOND: C56HXM



(R) Radius Protection
Low cost undercut protection for average undercutting situations.
EXAMPLE BOND: A606TRM
Asphalt and Green Concrete Wet Blades



(Q) Insert Protection
Our most popular, maximum wear retardant protection used in tough undercut conditions across North America. Noted with an "I" in the part number.
EXAMPLE BOND: A606PQM
Asphalt and Green Concrete Wet Blades

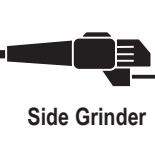


To ensure maximum performance, water is required to cool these blades during the cutting process.



Dry cutting products use air to cool the blade. Intermittent cuts are required to allow proper cooling. Dry products can also be used with water.

MACHINE ICONS FOR BLADES:

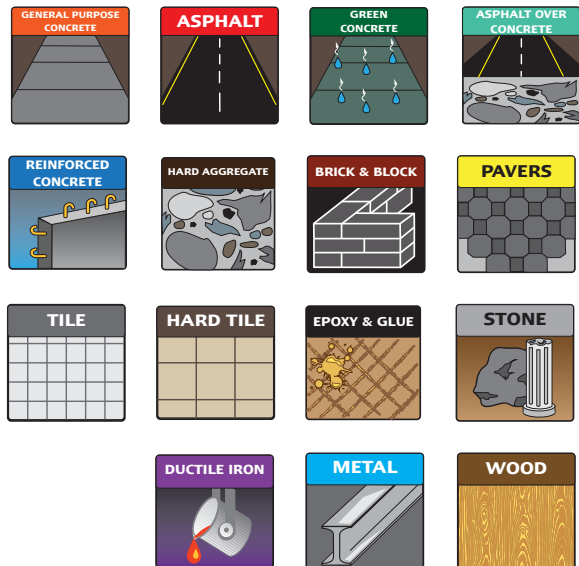


Wet Blade Diamond Depth By Quality Grade

Quality Grade	Quality Code	Diamond Depth	Segment Height
Imperial Purple Wet Cured	I	.394	.494
Imperial Purple Asphalt/Green	I	.312	.412
Heavy Duty Orange	H	.250	.350
Premium Black	P	.275	.375
Pro Blue	T	.310	.410
Super Premium Silver	SP	.375	.475
Pro Heavy Duty	TH	.310	.410
Super Heavy Duty	SH	.375	.475
Mega Premium Green	MP	.437	.537

Diamond Depth indicates the measurement of diamonds in a segment. This measurement is different than the segment height. Segment height is the total measurement of the diamond depth plus the backer pad. A backer pad is the side of the segment that does not have diamonds in it to ensure a good weld to the blade core.

MATERIAL ICONS:



REGISTER FOR YOUR ONLINE ACCOUNT TO GET THESE BENEFITS:

- Net pricing
- Place orders with our easy ordering system
- Order history
- Order tracking and ship dates
- Create pricing quotes
- Download parts lists and operator manuals
- Access training information

Call 1-800-321-5336 to obtain your login information



Check out the website under 'Documentation' for a full list of parts manuals.

FOLLOW US ONLINE:



www.diamondproducts.com
Current Company News
New Product Information
Order Confirmations
Place Orders

Send Us Your Email Address

For the latest product updates, press releases, promotions and more.

Send To: marketing@diamondproducts.com

Diamond Products protects all contact information and will not sell, give or share any consumer information with outside sources.

DIAMOND BLADE CUTTING SPEEDS & SAFETY

Things to Consider About Operating Speeds & Safety

Horsepower: High horsepower may require harder bonds and higher diamond concentration. Lower horsepower may require softer bonds and lower diamond concentration.

Shaft Speed: Increasing blade shaft speed makes the diamond blade cut harder. Decreasing shaft speed makes the blade wear faster.

Material Hardness/Abrasive: Harder, less abrasive materials require slower shaft speed. Softer, more abrasive materials require faster shaft speed.

WARNING: Operating saw blades at rotational speeds greater than the maximum RPM can cause blade damage and possibly personal injury.



Walk Behind Wet Blades

Blade Diameter	Maximum Cutting Depth	Recommended Operating Speed RPM	Maximum Safe Speed RPM
12"	3-3/4"	2900	4500
14"	4-3/4"	2900	3900
16"	5-3/4"	2600	3400
18"	6-3/4"	2600	3000
20"	7-3/4"	2450	2700
24"	9-3/4"	1950	2250
26"	10-3/4"	1950	2100
30"	11-3/4"	1650	1800
36"	14-3/4"	1300	1500
42"	17"	1050	1300
48"	20"	900	1000
54"	22-1/2"	600	700
60"	25-1/2"	540	640
72"	31-1/2"	500	500



Wall Saw Blades

Blade Diameter	Maximum Cutting Depth	Recommended Operating Speed RPM	Maximum Safe Speed RPM
18"	6-1/4"	2600	3000
20"	7-1/4"	2450	2700
24"	9-1/4"	1950	2250
30"	12-1/4"	1650	1800
36"	15-1/4"	1300	1500
42"	18-1/4"	1050	1300
48"	21-1/4"	900	1000
54"	24-1/4"	600	700
60"	27-1/4"	540	640
72"	33-1/4"	500	500



Dry Blades



Blade Diameter	Maximum Cutting Depth	Maximum Safe Speed RPM
4"	1"	18000
4-1/2"	1-1/4"	16000
5"	1-1/2"	15000
6"	2"	13000
7"	2-1/2"	11000
8"	2-5/8"	9000
9"	2-3/4"	8300
10"	2-7/8"	7500
12"	3-3/4"	6300
14"	4-3/4"	5400
16"	5"	4200
18"	5-1/2"	3800



Masonry Blades



Blade Diameter	Maximum Cutting Depth	Recommended Operating Speed RPM	Maximum Safe Speed RPM
14"	5"	2550	3900
18"	7"	2300	3000
20"	8"	2300	2700
24"	10"	2250	1950



Tile Blades

Blade Diameter	Maximum Cutting Depth	Recommended Operating Speed RPM	Maximum Safe Speed RPM
4"	1"	8000	13000
4-1/2"	1-1/4"	7500	12000
5"	1-1/2"	7000	11000
6"	1-3/4"	6050	9000
7"	2-1/4"	5175	8000
8"	2-3/4"	4500	7000
9"	3-1/4"	4025	5400
10"	3-3/4"	3625	5300



RECOMMENDED POWER CORD GAUGE-1 PHASE

Horsepower	Phase	Voltage	Amps	50ft Cord	100ft Cord	150ft Cord	200ft Cord	300ft Cord
1.5	1	115	13	#12	#10	#8	--	--
1.5	1	230	6	#14	#14	#12	--	--
2	1	115	16	#10	#8	#6	--	--
2	1	230	8	#14	#14	#12	--	--
2.5	1	115	21	#10	#8	#6	--	--
2.5	1	230	11	#14	#12	#10	--	--
5	1	230	23	#10	#8	#6	#6	#4
7.5	1	230	33	#8	#8	#6	#4	#2

CAUTION: Use of a wire gauge that is too small will cause loss of power or overheating and will damage the electric motor.

RECOMMENDED POWER CORD GAUGE-3 PHASE

Horsepower	Phase	Voltage	Amps	50ft Cord	100ft Cord	150ft Cord	200ft Cord	300ft Cord
5	3	230	12	#14	#12	#10	#8	#6
5	3	460	6	#14	#14	#14	#14	#12
7.5	3	230	17	#12	#10	#8	#6	#6
10	3	230	24	#10	#8	#6	#6	#4
10	3	460	12	#14	#14	#12	#12	#10
15	3	230	36	#8	#6	#6	#4	#2
15	3	460	18	#12	#12	#12	#10	#8
20	3	230	52	#6	#6	#4	#2	N/A
20	3	460	26	#10	#10	#8	#8	#6
25	3	230	58	#6	#4	#4	#2	N/A
25	3	460	29	#10	#10	#8	#8	#6
30	3	460	37	#8	#8	#8	#6	#4
40	3	460	48	#6	#6	#6	#6	#4
50	3	460	62	#4	#4	#4	#4	#2

Minimum Recommended Generator Sizes

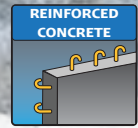
Saw	H.P.	Phase	KW	Soft Start
CC850ME1	5	1	15	--
CC850ME3	5	3	12	--
CC875ME1	7.5	1	20	--
CC875ME3	7.5	3	20	--
CC1305E1XL	5	1	15	--
CC1305E3XL	5	3	12	--
CC1875E1XL	7.5	1	20	--
CC1810E3XL	10	3	25	--
CC2515E	15	3	30	--
CC3520E	20	3	40	25kw
CC3530E	30	3	60	40kw
CC3725E	25	3	50	30kw
CC3730E	30	3	60	40kw
CC3740E	40	3	80	60kw
CC4120E	20	3	50	30kw
CC4130E	30	3	60	40kw
CC7250E	50	3	100	80kw

Note: Electric saws do not ship with electric cord or pigtails.

3-Phase powered saws do not include male electric connector for control box

IMPERIAL PURPLE

CURED CONCRETE BLADES



Imperial Purple-I

- .394" Diamond Depth
- Economical blades that work well for contractors who don't have a heavy volume of cutting to do.
- Delivers the speed and convenience of a diamond blade compared with conventional abrasive blades that require frequent blade changes.
- Basic quality diamond and economical cutting value.

**Cost Saving
Cutting**



IMPERIAL PURPLE WET CURED BLADES

SIZE	PART #	CAT #	LIST PRICE
14" x .125	CI14125M	36800	\$476
16" x .125	CI16125M	36808	545
18" x .125	CI18125M	36809	611
20" x .140	CI20140M	36811	711
20" x .155	CI20155M	39504	747
20" x .187	CI20187M	37037	859
24" x .155	CI24155M	36814	1,043
26" x .155	CI26155M	36815	1,194
26" x .165	CI26165M	39498	1,270
26" x .187	CI26187M	37039	1,286
30" x .155	CI30155M	36817	1,321
30" x .187	CI30187M	36818	1,403
36" x .187	CI36187M	36834	1,649

1" arbor with drive pin hole standard.



For use on
walk behind saws.



To ensure maximum performance, water is required to cool these blades during the cutting process.

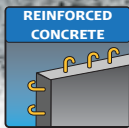
AGGREGATE HARDNESS

MEDIUM AGGREGATE

Imperial Purple Specifications for Light to Medium Reinforced Concrete

C2650I

See page 10 for color coded aggregate map of the U.S. and Canada



HEAVY DUTY ORANGE

CURED CONCRETE BLADES

HEAVY DUTY ORANGE CURED CONCRETE BLADES

SIZE	H.D. ORANGE (H) LIST PRICE	PRO H.D. (TH) LIST PRICE	SUPER H.D. (SH) LIST PRICE	SIZE	H.D. ORANGE (H) LIST PRICE	PRO H.D. (TH) LIST PRICE	SUPER H.D. (SH) LIST PRICE
10" x .110	\$430	\$482	\$512	24" x .140	\$1,340	\$1,532	\$1,632
10" x .125	467	523	557	24" x .155	1,440	1,652	1,746
12" x .110	494	546	586	24" x .165	1,499	1,706	1,823
12" x .125	535	603	643	24" x .175	1,543	1,776	1,902
12" x .140	585	651	699	24" x .187	1,607	1,853	2,005
12" x .155	641	720	776	24" x .210	1,834	---	---
12" x .187	751	892	953	24" x .250	2,061	2,388	2,565
12" x .250	936	1,099	1,182	26" x .155	1,585	1,799	1,920
12" x .375	1,333	1,591	1,719	26" x .165	1,631	1,895	2,026
14" x .110	604	679	715	26" x .175	1,695	1,952	2,087
14" x .125	662	752	790	26" x .187	1,802	2,076	2,246
14" x .140	718	821	880	26" x .250	2,197	2,549	2,743
14" x .155	776	886	940	28" x .187	1,939	---	---
14" x .187	913	1,096	1,162	30" x .175	1,864	2,117	2,256
14" x .250	1,129	1,365	1,454	30" x .187	1,938	2,204	2,351
14" x .375	1,631	1,977	2,114	30" x .210	2,087	---	---
16" x .125	768	860	917	30" x .250	2,467	2,844	3,072
16" x .140	826	930	998	32" x .175	1,910	---	---
16" x .155	886	999	1,070	32" x .187	2,000	---	2,589
16" x .187	1,042	1,234	1,324	32" x .210	2,162	---	---
16" x .250	1,277	---	1,667	32" x .250	2,666	2,897	---
18" x .125	868	963	1,041	36" x .175	2,252	2,515	2,677
18" x .140	939	1,056	1,132	36" x .187	2,331	2,609	2,785
18" x .155	1,048	1,179	1,261	36" x .210	2,592	---	---
18" x .165	1,150	1,291	1,381	36" x .250	2,962	3,327	3,527
18" x .175	1,198	1,344	1,440	42" x .187	3,438	3,994	4,197
18" x .187	1,227	1,405	1,506	42" x .210	3,612	---	---
18" x .210	1,257	---	---	42" x .220	3,721	4,268	4,497
18" x .250	1,462	1,745	1,880	48" x .210	4,194	---	---
20" x .125	963	1,101	1,174	48" x .250	4,930	5,827	6,395
20" x .140	1,027	1,190	1,273	54" x .220	5,215	5,671	6,374
20" x .155	1,211	1,329	1,422	60" x .220	5,823	7,371	8,893
20" x .165	1,250	1,442	1,542	---	---	---	---
20" x .187	1,290	1,569	1,682	---	---	---	---
20" x .250	1,613	1,972	2,074	---	---	---	---

Heavy Duty Orange-H

- .250" Diamond Depth

Pro Heavy Duty-TH

- .310" Diamond Depth
- Taller segment, high diamond concentration

Super Heavy Duty-SH

- .375" Diamond Depth
- Even taller segment and higher diamond concentration
- Fast cutting blade that works well with a wide variety of high or low HP saws.
- Combines long life performance while maximizing your blade dollars.



HEAVY DUTY ORANGE Concrete Specification Chart

Aggregate Hardness	SOFT	MEDIUM SOFT	MEDIUM	MEDIUM HARD	HARD
Reinforcement	Light to Medium Reinforcement				
Bond Spec	C62H	C60H	C56H	C52H	C50WH
Reinforcement	Heavy Reinforcement				
Bond Spec	C56H	C56H	C52H	C51WH	C45H
Aggregate Type	Soft Limestone Sandstone Dolomite Limestone Siliceous Soft Shell	Pit Gravel Limestone Dolomite	Medium Hard River Rock Medium Traprock Decomposed Granite Crushed Gravel	Granite Slate Traprock Basalt Quartzite	Hard Chert Quartz Flint Rock Hard River Rock

See page 10 for color coded aggregate map of the U.S. and Canada

1" arbor with drive pin hole standard.

Custom arbor sizes/types are available.

When ordering, please specify arbor size/type if different from 1".

* Additional blade sizes available upon request.

NO CHARGE FOR 'X' SLANT SEG WEAR PROTECTION OR CUSTOM BOLT PATTERNS (Example: LOUIE or ROGER bolt pattern)



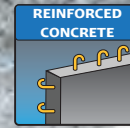
To ensure maximum performance, water is required to cool these blades during the cutting process.



For use on walk behind saws.

PREMIUM BLACK

CURED CONCRETE BLADES



Premium Black-P

- .275" Diamond Depth
- A high quality blade that delivers long lasting, fast cutting performance.
- Designed for contractors who demand maximum efficiency and value.



PREMIUM BLACK CURED BLADES

SIZE	PREMIUM BLACK (P) LIST PRICE	SIZE	PREMIUM BLACK (P) LIST PRICE
10" x .110	\$530	24" x .140	\$1,628
10" x .125	580	24" x .155	1,742
12" x .110	607	24" x .165	1,817
12" x .125	669	24" x .175	1,895
12" x .140	721	24" x .187	1,981
12" x .155	804	24" x .210	2,236
12" x .187	881	24" x .250	2,557
12" x .250	1,176	26" x .155	1,956
12" x .375	1,694	26" x .165	1,998
14" x .110	743	26" x .175	2,084
14" x .125	828	26" x .187	2,217
14" x .140	911	26" x .250	2,737
14" x .155	975	28" x .187	2,353
14" x .187	1,153	30" x .175	2,249
14" x .250	1,434	30" x .187	2,346
14" x .375	2,081	30" x .210	2,517
16" x .125	950	30" x .250	3,002
16" x .140	1,031	32" x .175	2,343
16" x .155	1,111	32" x .187	2,442
16" x .187	1,306	32" x .210	2,681
16" x .250	1,619	32" x .250	3,256
18" x .125	1,055	36" x .175	2,713
18" x .140	1,146	36" x .187	2,822
18" x .155	1,279	36" x .210	3,166
18" x .165	1,401	36" x .250	3,610
18" x .175	1,473	42" x .187	4,040
18" x .187	1,501	42" x .210	4,274
18" x .210	1,543	42" x .220	4,374
18" x .250	1,813	48" x .210	4,710
20" x .125	1,171	48" x .250	5,674
20" x .140	1,268	54" x .220	5,658
20" x .155	1,406	60" x .220	7,575
20" x .165	1,439	---	---
20" x .187	1,592	---	---
20" x .250	2,012	---	---

1" arbor with drive pin hole standard.
 Custom arbor sizes/types are available.
 When ordering, please specify arbor size/type if different from 1".
 * Additional blade sizes available upon request.

NO CHARGE FOR 'X' SLANT SEG WEAR PROTECTION OR CUSTOM BOLT PATTERNS (Example: LOUIE or ROGER bolt pattern)



For use on walk behind saws.

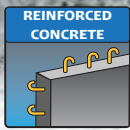


To ensure maximum performance, water is required to cool these blades during the cutting process.

PREMIUM BLACK Concrete Specification Chart

Aggregate Hardness	SOFT	MEDIUM SOFT	MEDIUM	MEDIUM HARD	HARD
Reinforcement	Light to Medium Reinforcement				
Bond Spec	C62P	C60P	C56P	C52P	C50WP
Reinforcement	Heavy Reinforcement				
Bond Spec	C56P	C56P	C52P	C51WP	C45P
Aggregate Type	Soft Limestone Sandstone Dolomite Limestone Siliceous Soft Shell	Pit Gravel Limestone Dolomite	Medium Hard River Rock Medium Traprock Decomposed Granite Crushed Gravel	Granite Slate Traprock Basalt Quartzite	Hard Chert Quartz Flint Rock Hard River Rock

See page 10 for color coded aggregate map of the U.S. and Canada



PRO BLUE

CURED CONCRETE BLADES

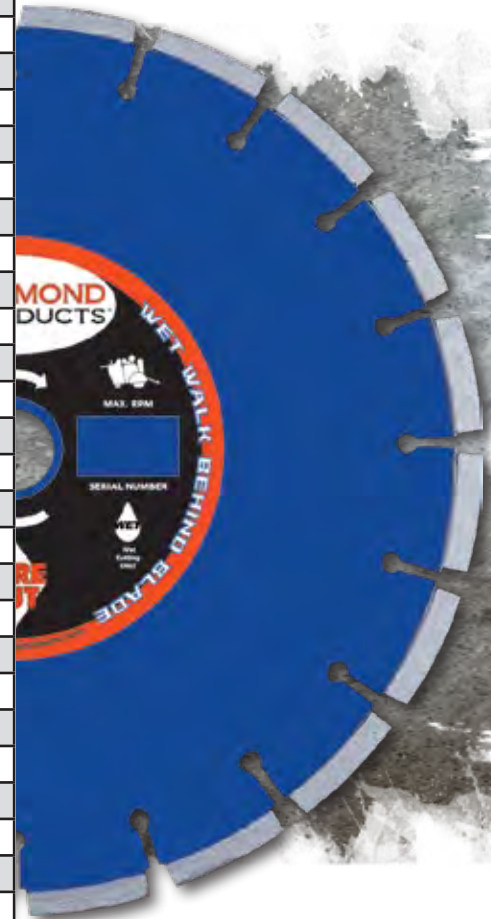
PRO BLUE CURED BLADES					
SIZE	PRO BLUE (T) LIST PRICE	PRO PLUS (T+) LIST PRICE	SIZE	PRO BLUE (T) LIST PRICE	PRO PLUS (T+) LIST PRICE
10" x .110	\$563	\$613	24" x .140	\$1,810	\$1,952
10" x .125	613	674	24" x .155	1,956	2,097
12" x .110	642	705	24" x .165	2,027	2,197
12" x .125	709	779	24" x .175	2,116	2,296
12" x .140	772	846	24" x .187	2,234	2,409
12" x .155	853	941	24" x .210	2,545	2,736
12" x .187	1,000	1,155	24" x .250	2,866	3,125
12" x .250	1,255	1,447	26" x .155	2,151	2,331
12" x .375	1,816	2,120	26" x .165	2,250	2,439
14" x .110	806	886	26" x .175	2,346	2,549
14" x .125	892	982	26" x .187	2,498	2,716
14" x .140	992	1,083	26" x .250	3,074	3,396
14" x .155	1,064	1,174	28" x .187	2,554	---
14" x .187	1,246	1,458	30" x .175	2,523	2,733
14" x .250	1,569	1,828	30" x .187	2,637	2,887
14" x .375	2,286	2,667	30" x .210	2,839	3,116
16" x .125	1,031	1,132	30" x .250	3,421	3,716
16" x .140	1,124	1,234	32" x .175	2,571	2,897
16" x .155	1,209	1,334	32" x .187	2,685	2,933
16" x .187	1,417	1,640	32" x .210	2,882	2,903
16" x .250	1,770	---	32" x .250	3,579	---
18" x .125	1,174	1,290	36" x .175	2,965	3,276
18" x .140	1,290	1,404	36" x .187	3,089	3,423
18" x .155	1,437	1,563	36" x .210	3,470	3,841
18" x .165	1,554	1,704	36" x .250	3,968	4,406
18" x .175	1,584	1,781	42" x .187	4,399	4,849
18" x .187	1,614	1,867	42" x .210	4,670	5,166
18" x .210	1,764	1,994	42" x .220	4,787	5,303
18" x .250	2,029	2,361	48" x .210	5,339	6,157
20" x .125	1,291	1,415	48" x .250	6,427	7,337
20" x .140	1,416	1,543	54" x .220	6,401	7,297
20" x .155	1,570	1,724	60" x .220	8,597	9,480
20" x .165	1,695	1,859	---	---	---
20" x .187	1,779	2,042	---	---	---
20" x .250	2,238	2,503	---	---	---

Professional Blue-T

- .310" Diamond Depth

Professional Blue Plus-T+

- .310" Diamond Depth
- Additional diamond concentration for longer life
- Same high quality as our Premium Black blade with a taller segment to lower your cutting costs.
- Made for 35HP saws and larger



PRO BLUE Concrete Specification Chart					
Aggregate Hardness	SOFT	MEDIUM SOFT	MEDIUM	MEDIUM HARD	HARD
Reinforcement	Light to Medium Reinforcement				
Bond Spec	C62T	C60T	C56T	C52T	C50WT
Reinforcement	Heavy Reinforcement				
Bond Spec	C56T	C56T	C52T	C51WT	C45T
Aggregate Type	Soft Limestone Sandstone Dolomite Limestone Siliceous Soft Shell	Pit Gravel Limestone Dolomite	Medium Hard River Rock Medium Traprock Decomposed Granite Crushed Gravel	Granite Slate Traprock Basalt Quartzite	Hard Chert Quartz Flint Rock Hard River Rock

See page 10 for color coded aggregate map of the U.S. and Canada

1" arbor with drive pin hole standard.

Custom arbor sizes/types are available.

When ordering, please specify arbor size/type if different from 1".

* Additional blade sizes available upon request.

NO CHARGE FOR 'X' SLANT SEG WEAR PROTECTION OR CUSTOM BOLT PATTERNS (Example: LOUIE or ROGER bolt pattern)



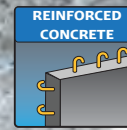
For use on walk behind saws.



To ensure maximum performance, water is required to cool these blades during the cutting process.

SUPER PREMIUM SILVER

CURED CONCRETE BLADES



Super Premium Silver-SP

- .375" Diamond Depth

Super Premium Silver Plus-SP+

- .375" Diamond Depth
- Additional diamond concentration for longer life
- Especially well suited for sawing in tough applications.



SUPER PREMIUM SILVER CURED BLADES					
SIZE	SUPER PREM SILVER (SP) LIST PRICE	SUPER PREM PLUS (SP+) LIST PRICE	SIZE	SUPER PREM SILVER (SP) LIST PRICE	SUPER PREM PLUS (SP+) LIST PRICE
10" x .110	\$634	\$655	24" x .140	\$2,043	\$2,077
10" x .125	697	713	24" x .155	2,221	2,260
12" x .110	727	753	24" x .165	2,328	2,343
12" x .125	806	832	24" x .175	2,434	2,483
12" x .140	882	905	24" x .187	2,556	2,685
12" x .155	987	1,020	24" x .210	2,874	2,975
12" x .187	1,136	1,241	24" x .250	3,290	3,412
12" x .250	1,433	1,541	26" x .155	2,440	2,486
12" x .375	2,094	2,240	26" x .165	2,556	2,576
14" x .110	917	948	26" x .175	2,648	2,687
14" x .125	1,028	1,058	26" x .187	2,820	3,006
14" x .140	1,135	1,186	26" x .250	3,572	3,756
14" x .155	1,222	1,276	28" x .187	3,064	3,068
14" x .187	1,428	1,554	30" x .175	2,857	3,030
14" x .250	1,813	1,948	30" x .187	2,993	3,047
14" x .375	2,650	2,829	30" x .210	3,233	3,425
16" x .125	1,175	1,232	30" x .250	3,859	4,018
16" x .140	1,282	1,324	32" x .175	2,928	3,015
16" x .155	1,386	1,423	32" x .210	3,343	---
16" x .187	1,622	1,715	32" x .250	3,850	---
16" x .250	1,982	2,195	36" x .175	3,309	3,371
18" x .125	1,339	1,400	36" x .187	3,458	3,512
18" x .140	1,458	1,519	36" x .210	3,881	4,080
18" x .155	1,624	1,709	36" x .250	4,419	4,611
18" x .165	1,766	1,769	42" x .187	4,842	4,981
18" x .175	1,806	1,847	42" x .210	5,122	5,262
18" x .187	1,845	2,000	42" x .220	5,212	5,297
18" x .210	1,972	2,183	48" x .210	5,699	5,765
18" x .250	2,328	2,504	48" x .250	6,856	7,309
20" x .125	1,465	1,520	54" x .220	7,076	7,156
20" x .140	1,600	1,647	60" x .220	9,191	9,282
20" x .155	1,789	1,831	---	---	---
20" x .165	1,927	1,951	---	---	---
20" x .187	2,032	2,195	---	---	---
20" x .250	2,584	2,803	---	---	---

1" arbor with drive pin hole standard.
 Custom arbor sizes/types are available.
 When ordering, please specify arbor size/type if different from 1".
 * Additional blade sizes available upon request.

NO CHARGE FOR 'X' SLANT SEG WEAR PROTECTION OR CUSTOM BOLT PATTERNS (Example: LOUIE or ROGER bolt pattern)



For use on walk behind saws.

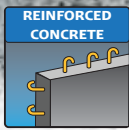


To ensure maximum performance, water is required to cool these blades during the cutting process.

SUPER PREMIUM SILVER Concrete Specification Chart

Aggregate Hardness	SOFT	MEDIUM SOFT	MEDIUM	MEDIUM HARD	HARD
Reinforcement	Light to Medium Reinforcement				
Bond Spec	C62SP	C60SP	C56SP	C52SP	C50WSP
Reinforcement	Heavy Reinforcement				
Bond Spec	C56SP	C56SP	C52SP	C51WSP	C45SP
Aggregate Type	Soft Limestone Sandstone Dolomite Limestone Siliceous Soft Shell	Pit Gravel Limestone Dolomite	Medium Hard River Rock Medium Traprock Decomposed Granite Crushed Gravel	Granite Slate Traprock Basalt Quartzite	Hard Chert Quartz Flint Rock Hard River Rock

See page 10 for color coded aggregate map of the U.S. and Canada



MEGA PREMIUM GREEN

CURED CONCRETE BLADES

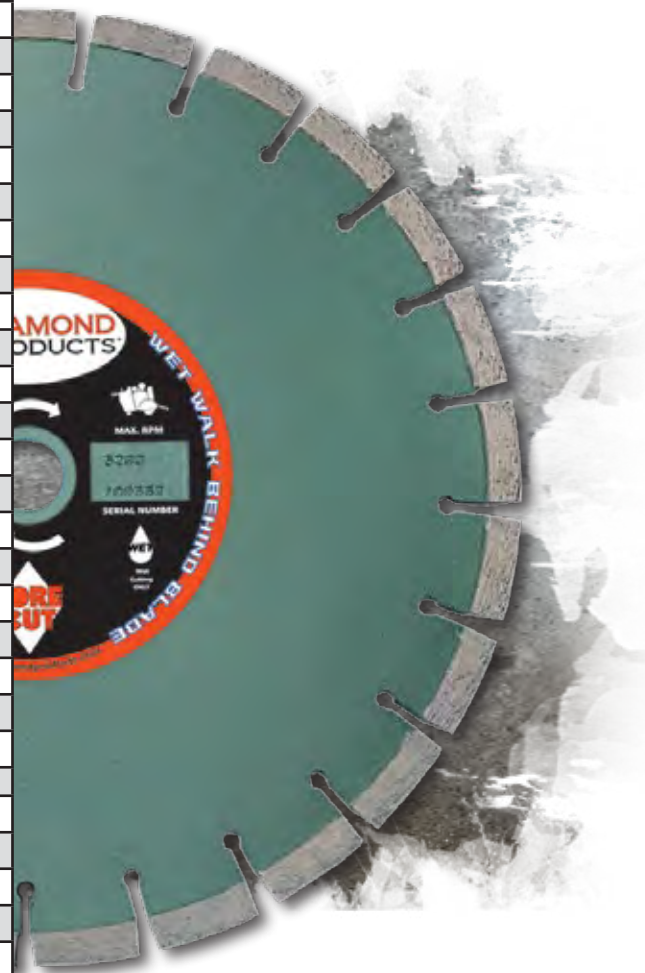
Mega Premium Green-MP

- .437" Diamond Depth

Mega Premium Green Plus-MP+

- .437" Diamond Depth
- Additional diamond concentration for longer life
- Extremely long life blade especially good for hard aggregates.
- Delivers the lowest diamond tool cost per inch foot in the industry.

MEGA PREMIUM GREEN CURED BLADES					
SIZE	MEGA PREM (MP) LIST PRICE	MEGA PREM PLUS (MP+) LIST PRICE	SIZE	MEGA PREM (MP) LIST PRICE	MEGA PREM PLUS (MP+) LIST PRICE
12" x .110	\$780	\$806	24" x .140	\$2,149	\$2,221
12" x .125	862	892	24" x .155	2,338	2,420
12" x .155	1,053	---	24" x .165	2,447	2,510
12" x .187	1,284	1,329	24" x .175	2,596	2,658
12" x .250	1,600	1,657	24" x .187	2,779	2,873
12" x .375	2,327	2,416	24" x .210	3,112	3,219
14" x .110	985	1,018	24" x .250	3,537	3,664
14" x .125	1,096	1,134	26" x .155	2,588	2,634
14" x .140	1,217	1,270	26" x .165	2,663	2,759
14" x .155	1,321	1,370	26" x .175	2,824	2,910
14" x .187	1,609	1,682	26" x .187	3,110	3,212
14" x .250	2,023	2,097	26" x .250	3,894	4,073
14" x .375	2,942	3,056	28" x .187	3,243	3,388
16" x .125	1,269	1,317	30" x .175	3,016	3,239
16" x .140	1,378	1,415	30" x .187	3,119	3,226
16" x .155	1,466	1,606	30" x .210	3,592	3,658
16" x .187	1,771	1,842	30" x .250	4,405	4,362
18" x .125	1,436	1,483	32" x .175	---	3,278
18" x .140	1,572	1,642	36" x .175	3,485	4,217
18" x .155	1,793	1,811	36" x .187	3,634	4,423
18" x .165	1,872	1,897	42" x .187	5,124	5,267
18" x .175	1,927	2,002	42" x .210	5,348	5,667
18" x .187	2,071	2,144	42" x .220	5,568	5,736
18" x .210	2,263	2,345	48" x .210	5,589	6,080
18" x .250	2,598	2,651	48" x .250	7,244	---
20" x .125	1,572	1,625	54" x .220	7,296	---
20" x .140	1,740	1,765	---	---	---
20" x .155	1,913	1,962	---	---	---
20" x .165	1,966	2,056	---	---	---
20" x .187	2,293	2,376	---	---	---
20" x .250	2,908	3,046	---	---	---



MEGA PREMIUM GREEN Concrete Specification Chart					
Aggregate Hardness	SOFT	MEDIUM SOFT	MEDIUM	MEDIUM HARD	HARD
Reinforcement	Light to Medium Reinforcement				
Bond Spec	C62MP	C60MP	C56MP	C52MP	C50WMP
Reinforcement	Heavy Reinforcement				
Bond Spec	C56MP	C56MP	C52MP	C51WMP	C45MP
Aggregate Type	Soft Limestone Sandstone Dolomite Limestone Siliceous Soft Shell	Pit Gravel Limestone Dolomite	Medium Hard River Rock Medium Traprock Decomposed Granite Crushed Gravel	Granite Slate Traprock Basalt Quartzite	Hard Chert Quartz Flint Rock Hard River Rock

1" arbor with drive pin hole standard.
 Custom arbor sizes/types are available.
 When ordering, please specify arbor size/type if different from 1".
 * Additional blade sizes available upon request.

NO CHARGE FOR 'X' SLANT SEG WEAR PROTECTION OR CUSTOM BOLT PATTERNS (Example: LOUIE or ROGER bolt pattern)



For use on walk behind saws.

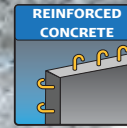


To ensure maximum performance, water is required to cool these blades during the cutting process.

See page 10 for color coded aggregate map of the U.S. and Canada

GIGA TITANIUM

CURED CONCRETE BLADES



Giga Premium Titanium-GP

- .500" Diamond Depth

Giga Premium Plus Titanium-GP+

- .500" Diamond Depth
- Additional diamond concentration for longer life

Giga Supreme Titanium-GU

- .500" Diamond Depth
- Ultra-High diamond concentration for maximum life
- Especially well suited for sawing in tough applications.

GIGA TITANIUM CURED CONCRETE BLADES							
SIZE	GIGA PREM (GP) TITANIUM LIST PRICE	GIGA PREMIUM PLUS (GP+) LIST PRICE	GIGA SUPREME (GU) LIST PRICE	SIZE	GIGA PREM (GP) TITANIUM LIST PRICE	GIGA PREMIUM PLUS (GP+) LIST PRICE	GIGA SUPREME (GU) LIST PRICE
12" x .125	\$922	---	\$983	24" x .155	\$2,484	\$2,511	\$2,640
12" x .140	---	---	---	24" x .165	2,488	2,542	2,766
12" x .155	---	\$1,096	---	24" x .175	2,686	2,775	2,934
12" x .187	1,289	---	1,461	24" x .187	2,849	2,870	2,964
14" x .110	---	---	1,119	24" x .210	---	---	3,443
14" x .125	1,197	1,190	1,239	24" x .250	3,742	---	3,984
14" x .140	---	1,331	1,366	26" x .155	2,704	2,823	2,925
14" x .155	1,369	1,400	1,512	26" x .165	2,832	2,966	2,980
14" x .187	1,668	1,725	1,856	26" x .175	3,117	3,183	3,118
14" x .250	---	2,117	2,173	26" x .187	3,312	3,354	3,535
16" x .125	1,375	1,421	1,444	26" x .250	3,984	3,867	4,554
16" x .140	1,458	1,518	---	28" x .187	3,476	3,543	3,690
16" x .155	1,588	---	1,755	30" x .175	3,278	3,299	3,421
16" x .187	1,860	1,947	2,161	30" x .187	3,457	3,431	3,915
16" x .250	1,525	1,550	1,630	30" x .210	---	3,727	4,021
18" x .125	1,692	1,723	1,715	36" x .175	3,659	---	3,956
18" x .140	1,914	1,897	1,639	36" x .187	3,771	---	4,101
18" x .155	1,970	---	2,089	36" x .210	4,244	---	---
18" x .165	2,044	---	2,189	36" x .250	---	---	5,361
18" x .175	2,209	---	2,364	42" x .187	5,142	---	6,142
18" x .187	---	---	2,602	42" x .210	---	---	---
18" x .210	1,588	1,765	1,788	42" x .220	5,523	5,801	6,610
20" x .125	1,820	---	1,948	48" x .210	6,770	6,881	---
20" x .140	1,984	2,055	2,146	---	---	---	---
20" x .155	2,200	2,178	2,252	---	---	---	---
20" x .165	2,361	2,492	2,905	---	---	---	---
20" x .187	2,338	2,467	2,876	---	---	---	---

1" arbor with drive pin hole standard.
 Custom arbor sizes/types are available.
 When ordering, please specify arbor size/type if different from 1".
 * Additional blade sizes available upon request.

NO CHARGE FOR 'X' SLANT SEG WEAR PROTECTION OR CUSTOM BOLT PATTERNS (Example: LOUIE or ROGER bolt pattern)



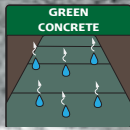
For use on walk behind saws.



To ensure maximum performance, water is required to cool these blades during the cutting process.

GIGA PREMIUM TITANIUM Concrete Specification Chart					
Aggregate Hardness	SOFT	MEDIUM SOFT	MEDIUM	MEDIUM HARD	HARD
Reinforcement	Light to Medium Reinforcement				
Bond Spec	C62GP	C60GP	C56GP	C52GP	C50WGP
Reinforcement	Heavy Reinforcement				
Bond Spec	C56GP	C56GP	C52GP	C51WGP	C45GP
Aggregate Type	Soft Limestone Sandstone Dolomite Limestone Siliceous Soft Shell	Pit Gravel Limestone Dolomite	Medium Hard River Rock Medium Traprock Decomposed Granite Crushed Gravel	Granite Slate Traprock Basalt Quartzite	Hard Chert Quartz Flint Rock Hard River Rock

See page 10 for color coded aggregate map of the U.S. and Canada



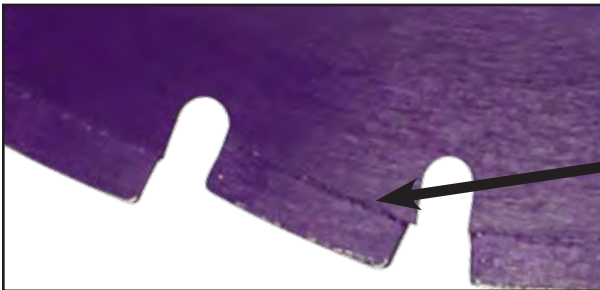
IMPERIAL PURPLE

ASPHALT/GREEN CONCRETE BLADES

Imperial Purple-1

- .312" Diamond Depth
- Delivers the speed and convenience of a diamond blade compared with abrasive blades that require frequent blade changes.
- Basic quality diamond and economical cutting value

IMPERIAL PURPLE ASPHALT/GREEN CONCRETE /ASPHALT OVER CONCRETE WET BLADES			
SIZE	PART #	CAT #	LIST PRICE WITH SLANT SEG 'X' PROTECTION
14" x .140	AI14140XM	36821	\$565
18" x .140	AI18140XM	36822	750
20" x .140	AI20140XM	36823	839
24" x .155	AI24155XM	36824	1,090
26" x .165	AI26165XM	36825	1,247
30" x .187	AI30187XM	36828	1,361
36" x .187	AI36187XM	36831	1,707



Includes Slant (x) Segment Wear Protection.

AGGREGATE HARDNESS
MEDIUM AGGREGATE ASPHALT/GREEN CONCRETE
Imperial Purple Specification
A6000I



For use on
walk behind saws.



To ensure maximum performance, water is required to cool these blades during the cutting process.

See page 10 for color coded aggregate map of the U.S. and Canada

HEAVY DUTY ORANGE

ASPHALT/GREEN/OVERLAY BLADES



Heavy Duty Orange-H

- .250" Diamond Depth
- Fast cutting blade that works well with a wide variety of high or low HP saws.
- Combines long life performance while maximizing your blade dollars.



HEAVY DUTY ORANGE ASPHALT-GREEN CONCRETE AND ASPHALT OVER CONCRETE WET BLADES

SIZE	LIST PRICE WITH 'X' SLANT SEGMENT	LIST PRICE WITH 'R' RADIUS SEGMENT	LIST PRICE WITH 'Q' INSERT SEGMENTS
12" x .125	\$548	\$575	\$603
12" x .140	635	---	699
12" x .187	762	---	838
12" x .250	919	---	1,010
12" x .375	1,331	---	1,464
14" x .125	674	708	741
14" x .140	779	806	829
14" x .187	920	956	988
14" x .250	1,131	1,188	1,244
14" x .375	1,632		1,795
16" x .125	788	827	867
16" x .140	890		980
18" x .125	883	927	971
18" x .140	1,014	1,065	1,115
18" x .155	1,121	1,157	1,223
18" x .175	1,151		1,323
18" x .187	1,196	1,256	1,316
18" x .250	1,462	1,535	1,608
20" x .125	982	1,031	1,080
20" x .140	1,105	1,135	1,216
20" x .155	1,211	1,289	1,328
20" x .165	1,250		1,384
24" x .155	1,437	1,509	1,581
24" x .175	1,549	1,665	1,758
24" x .187	1,612	1,764	1,855
26" x .155	1,582		1,722
26" x .187	1,810	1,846	1,967
30" x .175	1,893	1,804	1,892
30" x .187	1,804	1,871	1,961
32" x .187	1,981		2,148
36" x .175	2,230		2,405
36" x .187	2,306	2,456	2,544

See page 12 for undercut protection options

1" arbor with drive pin hole standard.

Custom arbor sizes/types are available.

When ordering, please specify arbor size/type if different from 1".

* Additional blade sizes available upon request.

When determining an Asphalt, Green Concrete or Asphalt over Concrete specification use this formula:

Blade type A, G or AC, (spec #) (grade) optional wear protection) M

A = Asphalt, G = Green Concrete, AC = Asphalt over Concrete

Example: A606TRM or AC62SWSPQM

Low HP = 18 HP or lower

High HP = 20 HP or higher



For use on walk behind saws.

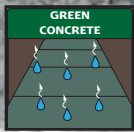


To ensure maximum performance, water is required to cool these blades during the cutting process.

If you need a price for something not shown, please call customer service at (800) 321-5336.

SOFT	MED. SOFT	MEDIUM	MED. HARD	HARD
H.D. ORANGE Cutting Asphalt with Low HP Saw Specifications				
A635H	A615H	A606H	A605H	A350H
H.D. ORANGE Cutting Asphalt with High HP Saw Specifications				
A665H	A635H	A630H	A606H	A605H
H.D. ORANGE Cutting Green Concrete with Low HP Saw Specifications				
G670H	G660H	G606H	G606H	G605H
H.D. ORANGE Cutting Green Concrete with High HP Saw Specifications				
G670H	G660H	G606H	G606H	G605H
H.D. ORANGE Cutting Asphalt Over Concrete with Low HP Saw Specifications				
AC64DWH	AC64DWH	AC64DWH	AC62DWH	AC62DWH
H.D. ORANGE Cutting Asphalt Over Concrete with High HP Saw Specifications				
AC64DWH	AC64DWH	AC64DWH	AC62DWH	AC62DWH

See page 10 for color coded aggregate map of the U.S. and Canada



PREMIUM BLACK

ASPHALT/GREEN/OVERLAY BLADES

PREMIUM BLACK ASPHALT/GREEN CONCRETE / ASPHALT OVER CONCRETE WET BLADES

SIZE	LIST PRICE WITH 'X' SLANT SEGMENT	LIST PRICE WITH 'R' RADIUS SEGMENT	LIST PRICE WITH 'Q' INSERT SEGMENTS
12" x .125	\$673	\$707	\$740
12" x .140	788	810	950
12" x .187	912	987	1,139
12" x .250	1,147	1,217	1,403
12" x .375	1,667	---	1,834
14" x .125	826	867	909
14" x .140	954	1,002	1,049
14" x .187	1,148	1,205	1,263
14" x .250	1,470	1,544	1,617
14" x .375	2,053	2,156	2,258
16" x .125	983	1,006	1,199
16" x .140	1,115	1,142	1,344
18" x .125	1,056	1,109	1,162
18" x .140	1,216	1,277	1,338
18" x .155	1,362	1,430	1,498
18" x .175	1,374	1,485	1,882
18" x .187	1,441	1,513	1,585
18" x .250	1,789	1,878	1,968
20" x .125	1,178	1,237	1,296
20" x .140	1,345	1,412	1,480
20" x .155	1,484	1,523	1,786
20" x .165	1,549	1,590	1,859
24" x .155	1,735	1,806	2,107
24" x .175	1,908	1,960	2,284
24" x .187	1,977	2,076	2,175
26" x .155	1,935	1,990	2,313
26" x .187	2,232	2,298	2,654
30" x .175	2,140	2,247	2,354
30" x .187	2,238	2,308	2,666
32" x .187	2,422	---	2,664
36" x .175	2,722	2,815	3,205
36" x .187	2,827	2,968	3,110

Premium Black-P

- .275" Diamond Depth
- A high quality blade that delivers long lasting, fast cutting performance.
- Designed for contractors who demand maximum efficiency and value.



See page 12 for undercut protection options
1" arbor with drive pin hole standard.

Custom arbor sizes/types are available.

When ordering, please specify arbor size/type if different from 1".

* Additional blade sizes available upon request.

When determining an Asphalt, Green Concrete or Asphalt over Concrete specification use this formula:

Blade type A, G or AC, (spec #) (grade) optional wear protection M

A = Asphalt, G = Green Concrete, AC = Asphalt over Concrete

Example: A606TRM or AC62SWSPQM

Low HP = 18 HP or lower

High HP = 20 HP or higher

SOFT	MED. SOFT	MEDIUM	MED. HARD	HARD
PREMIUM BLACK Cutting Asphalt with Low HP Saw Specifications				
A635P	A615P	A606P	A605P	A350P
PREMIUM BLACK Cutting Asphalt with High HP Saw Specifications				
A665P	A635P	A630P	A606P	A605P
PREMIUM BLACK Cutting Green Concrete with Low HP Saw Specifications				
G670P	G660P	G606P	G606P	G605P
PREMIUM BLACK Cutting Green Concrete with High HP Saw Specifications				
G670P	G660P	G606P	G606P	G605P
PREMIUM BLACK Cutting Asphalt Over Concrete with Low HP Saw Specifications				
AC64DWP	AC64DWP	AC64DWP	AC62DWP	AC62DWP
PREMIUM BLACK Cutting Asphalt Over Concrete with High HP Saw Specifications				
AC64DWP	AC64DWP	AC64DWP	AC62DWP	AC62DWP

See page 10 for color coded aggregate map of the U.S. and Canada



For use on
walk behind saws.



To ensure maximum performance, water is required to cool these blades during the cutting process.

If you need a price for something not shown, please call customer service at (800) 321-5336.

ASPHALT/GREEN/OVERLAY BLADES



Professional Blue-T

- .310" Diamond Depth
- Same high quality as our Premium Black blade with a taller segment to lower your cutting cost.
- Best used with 35HP and up



See page 12 for undercut protection options

1" arbor with drive pin hole standard.
 Custom arbor sizes/types are available.
 When ordering, please specify arbor size/type if different from 1".
 * Additional blade sizes available upon request.

When determining an Asphalt, Green Concrete or Asphalt over Concrete specification use this formula:

Blade type A, G or AC, (spec #) (grade) optional wear protection) M

A = Asphalt, G = Green Concrete, AC = Asphalt over Concrete
 Example: A606TRM or AC62SWSPQM

Low HP = 18 HP or lower
 High HP = 20 HP or higher

PRO BLUE ASPHALT/GREEN CONCRETE ASPHALT OVER CONCRETE WET BLADES

SIZE	LIST PRICE WITH 'X' SLANT SEGMENT	LIST PRICE WITH 'R' RADIUS SEGMENT	LIST PRICE WITH 'Q' INSERT SEGMENTS
12" x .125	\$717	\$753	\$789
12" x .140	835	859	998
12" x .187	1,003	1,053	1,103
12" x .250	1,237	1,303	1,483
12" x .375	1,957	2,055	2,153
14" x .125	903	948	993
14" x .140	1,042	1,094	1,146
14" x .187	1,238	1,314	1,450
14" x .250	1,545	1,622	1,700
14" x .375	2,443	2,388	2,597
16" x .125	1,065	1,090	1,282
16" x .140	1,195	1,255	1,315
18" x .125	1,177	1,238	1,451
18" x .140	1,353	1,413	1,636
18" x .155	1,521	1,563	1,797
18" x .175	1,600	1,695	1,939
18" x .187	1,638	1,704	1,991
18" x .250	2,185	2,294	2,404
20" x .125	1,328	1,358	1,606
20" x .140	1,506	1,543	1,797
20" x .155	1,653	1,695	1,963
20" x .165	1,730	1,667	2,051
24" x .155	1,978	2,027	2,343
24" x .175	2,153	2,209	2,543
24" x .187	2,255	2,313	2,659
26" x .155	2,152	2,260	2,367
26" x .187	2,510	2,588	2,960
30" x .175	2,429	2,495	2,855
30" x .187	2,519	2,645	2,771
32" x .187	---	---	3,160
36" x .175	2,978	3,065	3,391
36" x .187	3,103	3,196	3,614



For use on walk behind saws.

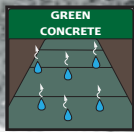


To ensure maximum performance, water is required to cool these blades during the cutting process.

If you need a price for something not shown, please call customer service at (800) 321-5336.

SOFT	MED. SOFT	MEDIUM	MED. HARD	HARD
PRO BLUE Cutting Asphalt with Low HP Saw Specifications				
A635T	A615T	A606T	A605T	A350HT
PRO BLUE Cutting Asphalt with High HP Saw Specifications				
A665T	A635T	A630T	A606T	A605T
PRO BLUE Cutting Green Concrete with Low HP Saw Specifications				
G670T	G680T	G606T	G606T	G605T
PRO BLUE Cutting Green Concrete with High HP Saw Specifications				
G670T	G660T	G606T	G606T	G605T
PRO BLUE Cutting Asphalt Over Concrete with Low HP Saw Specifications				
AC64DWT	AC64DWT	AC64DWT	AC62DWT	AC62DWT
PRO BLUE Cutting Asphalt Over Concrete with High HP Saw Specifications				
AC64DWT	AC64DWT	AC64DWT	AC62DWT	AC62DWT

See page 10 for color coded aggregate map of the U.S. and Canada



SUPER PREMIUM SILVER

ASPHALT/GREEN/OVERLAY BLADES

SUPER PREMIUM SILVER ASPHALT/GREEN CONCRETE/ ASPHALT OVER CONCRETE WET BLADES 12"-36"

SIZE	LIST PRICE WITH 'X' SLANT SEGMENT	LIST PRICE WITH 'R' RADIUS SEGMENT	LIST PRICE WITH 'Q' INSERT SEGMENTS
12" x .125	\$819	\$835	\$966
12" x .140	---	---	1,090
12" x .187	1,197	1,166	1,318
14" x .125	1,027	1,078	1,130
14" x .140	1,168	1,216	1,337
14" x .187	1,405	1,471	1,607
14" x .250	1,813	1,859	2,023
14" x .375	2,817	---	3,099
16" x .125	1,195	1,225	1,314
16" x .140	1,329	1,376	1,578
18" x .125	1,345	1,380	1,590
18" x .140	1,561	1,573	1,795
18" x .155	1,699	1,737	1,972
18" x .175	1,828	1,889	---
18" x .187	---	1,899	2,144
18" x .250	2,307	---	2,687
20" x .125	---	1,517	1,843
20" x .140	1,661	1,774	1,966
20" x .155	1,830	1,886	2,152
20" x .165	1,948	2,030	2,280
24" x .155	2,206	2,327	2,570
24" x .187	2,547	2,595	2,938
26" x .155	2,432	2,488	2,761
26" x .187	2,788	2,895	3,261
30" x .175	2,754	2,819	3,150
30" x .187	2,851	2,929	3,293
36" x .187	3,509	---	---

Super Premium Silver-SP

- .375" Diamond Depth
- A high quality long life blade.
- Made with high diamond concentration.
- Especially well suited for sawing in tough applications.



See page 12 for undercut protection options

1" arbor with drive pin hole standard.
 Custom arbor sizes/types are available.
 When ordering, please specify arbor size/type if different from 1".
 * Additional blade sizes available upon request.

When determining an Asphalt, Green Concrete or Asphalt over Concrete specification use this formula:

Blade type A, G or AC, (spec #) (grade) optional wear protection) M

A = Asphalt, G = Green Concrete, AC = Asphalt over Concrete

Example: A606TRM or AC62SWSPQM

Low HP = 18 HP or lower

High HP = 20 HP or higher

SOFT	MED. SOFT	MEDIUM	MED. HARD	HARD
SP SILVER Cutting Asphalt with Low HP Saw Specifications				
A635SP	A615SP	A606SP	A605SP	A350SP
SP SILVER Cutting Asphalt with High HP Saw Specifications				
A665SP	A635SP	A630SP	A606SP	A605SP
SP SILVER Cutting Green Concrete with Low HP Saw Specifications				
G670SP	G660SP	G606SP	G606SP	G605SP
SP SILVER Cutting Green Concrete with High HP Saw Specifications				
G670SP	G660SP	G606SP	G606SP	G605SP
SP SILVER Cutting Asphalt Over Concrete with Low HP Saw Specifications				
AC64DWSP	AC64DWSP	AC64DWSP	AC62DWSP	AC62DWSP
SP SILVER Cutting Asphalt Over Concrete with High HP Saw Specifications				
AC64DWSP	AC64DWSP	AC64DWSP	AC62DWSP	AC62DWSP

See page 10 for color coded aggregate map of the U.S. and Canada



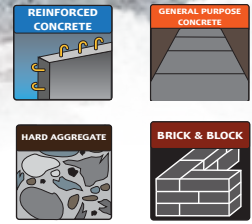
For use on
walk behind saws.



To ensure maximum performance, water is required to cool these blades during the cutting process.

If you need a price for something not shown, please call customer service at (800) 321-5336.

WALL SAW/HAND SAW BLADES



40mm Straight Segment



M

- Original segment for standard cutting and long life

9mm Split Segment



-9

- For fast cutting and enhanced blade life

20mm Split Segment



-20

- Give less resistance for faster and more economical cutting.
- Keeps segments cooler in higher steel applications.
- Not available on U-Gullet Core

16mm Split Segment



-16

- This 'horseshoe' shaped design provides faster cutting speeds and long life and also helps reduce segment loss

Our hand saw blades have multiple unique segment designs to choose from ensuring top performance, speed and life when cutting. All hand saw blades 20" and larger come standard with a 1" arbor and a LYFC bolt pattern. Other flush cut configurations are available upon request. Blades are available in diameters from 1" to 24". Custom sizes are available upon request.

When creating a specification for hand saw blades, use this formula:

W (spec) (grade) -20, -16, -9 or M (Example: W535P-20)

When ordering 40mm blades add M to end of part number: (WP24187M)

When ordering 20mm blades add MM to end of part number: (WP24187MM)

When ordering 16mm blades add M16 to end of part number: (WP24187M16)

When ordering 9mm blades add M9 to end of part number: (WP16187M9)

Bond Specification Chart

Material	Sandwich	Non-Sandwich
Fast cutting hard aggregate	W212	W20
General purpose hard aggregate	W323	W2033
Fast cutting and long life	W3A3	W33
Fast cutting general purpose	W434	W3342
Fast cutting general purpose-extended life in heavy steel and hard aggregate	---	W41
General purpose medium aggregate	W535	W42
Long life general purpose	W545	
Long life soft aggregate, brick & block	W5A5	W50



U-GULLET CORE STYLE

- Holds side clearances better
- Cuts faster due to less surface to surface contact
- Removes slurry more efficiently
- Just order your normal blade(s) and add a 'U' to the end of the part number or bond specification
- Not available in 20mm Split Segment Style



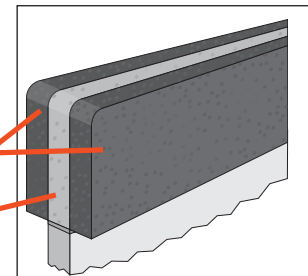
To ensure maximum performance, water is required to cool these blades during the cutting process.

Diamond Depths

Quality Grade	40mm	20mm	16mm	9mm
Premium Black (P)	.250	.310	.310	.310
Professional Blue (T)	.310	.375	.375	.375
Super Premium Silver (SP)	.375	.437	.450	.450

Sandwich Seg Wall Saw Blades

- Faster cutting-blades maintain better clearance for their full life and better tracking in the cut
- Longer life-sandwich segs help keep blades that are 75% worn in use by preventing breakdown due to binding and lack of side clearance



High Diamond Concentration

Low Diamond Concentration



For use on wall saws or hydraulic hand saws



HYDRAULIC HAND SAW BLADES

20MM

40MM



Premium Black		
Size	Standard Core List Prices 9mm/16mm/20mm/40mm	U-Gullet Core List Prices 9mm/16mm/40mm
14" x .125	\$688	\$654
14" x .140	719	683
16" x .125	804	764
16" x .140	852	809
18" x .125	882	---
18" x .187	1,187	1,128
18" x .210	1,259	1,196
18" x .220	1,389	1,320
18" x .250	1,634	1,552
20" x .125	1,010	960
20" x .140	1,065	1,012
20" x .155	1,146	---
20" x .165	1,209	1,149
20" x .187	1,304	1,239
20" x .210	1,356	1,288
20-5/8" x .125	1,021	970
20-5/8" x .140	1,065	---
24" x .140	1,315	1,249

9MM

Pro Blue		
Size	Standard Core List Prices 9mm/16mm/20mm/40mm	U-Gullet Core List Prices 9mm/16mm/40mm
14" x .125	\$798	\$758
14" x .140	844	802
16" x .125	916	870
16" x .140	971	922
18" x .125	1,001	951
18" x .187	1,313	1,247
18" x .210	1,392	1,322
18" x .220	1,543	1,466
18" x .250	1,777	1,688
20" x .125	1,115	1,059
20" x .140	1,168	1,110
20" x .155	1,233	1,171
20" x .165	1,299	1,234
20" x .187	1,427	1,356
20" x .210	1,511	1,435
20-5/8" x .125	1,138	---
20-5/8" x .140	1,168	1,110
24" x .140	1,353	1,285

16MM

Super Premium Silver		
Size	Standard Core List Prices 9mm/16mm/20mm/40mm	U-Gullet Core List Prices 9mm/16mm/40mm
14" x .125	\$813	---
14" x .140	913	---
16" x .125	939	892
16" x .140	997	---
18" x .125	1,028	977
18" x .187	1,443	1,371
18" x .210	1,533	1,456
18" x .220	1,676	---
18" x .250	1,927	---
20" x .125	1,182	1,123
20" x .140	1,250	1,188
20" x .155	1,333	---
20" x .165	1,414	---
20" x .187	1,576	1,497
20" x .210	1,664	---
20-5/8" x .125	1,182	1,123
20-5/8" x .140	1,250	1,188
24" x .140	1,506	1,431



WALL SAW BLADES

Premium Black		
Size	Standard Core List Price 9mm/16mm/20mm/40mm	U-Gullet Core List Price 9mm/16mm/40mm
18" x .125	\$882	---
18" x .187	1,187	\$ 1,128
18" x .210	1,259	1,196
18" x .220	1,389	1,320
18" x .250	1,634	1,552
20" x .125	1,010	960
20" x .140	1,065	1,012
20" x .155	1,146	---
20" x .165	1,209	1,149
20" x .187	1,304	1,239
20" x .210	1,356	1,288
20-5/8" x .125	1,021	970
20-5/8" x .140	1,065	---
24" x .140	1,315	1,249
24" x .187	1,577	1,498
24" x .210	1,671	1,587
24" x .220	1,839	1,747
24" x .250	2,185	2,076
26" x .187	1,769	1,681
26" x .210	1,904	1,809
30" x .175	1,913	1,817
30" x .187	1,954	1,856
30" x .210	2,108	2,003
30" x .220	2,383	2,264
30" x .250	2,731	2,594
32" x .175	2,154	---
32" x .187	2,333	2,216
32" x .210	2,498	2,373
36" x .175	2,456	2,333
36" x .187	2,498	2,373
36" x .210	2,667	2,534
36" x .220	2,720	2,584
36" x .250	3,304	3,139
42" x .187	3,514	3,338
42" x .210	3,819	3,628
42" x .250	3,994	---
48" x .210	4,148	---
48" x .250	4,497	4,272
54" x .210	5,185	4,926
54" x .250	5,571	---
60" x .220	6,669	---
72" x .220	11,903	---

Pro Blue		
Size	Standard Core List Price 9mm/16mm/20mm/40mm	U-Gullet Core List Price 9mm/16mm/40mm
18" x .125	\$1,001	\$951
18" x .187	1,313	1,247
18" x .210	1,392	1,322
18" x .220	1,543	1,466
18" x .250	1,777	1,688
20" x .125	1,115	1,059
20" x .140	1,168	1,110
20" x .155	1,233	1,171
20" x .165	1,299	1,234
20" x .187	1,427	1,356
20" x .210	1,511	1,435
20-5/8" x .125	1,138	---
20-5/8" x .140	1,168	1,110
24" x .140	1,353	1,285
24" x .187	1,702	1,617
24" x .210	1,851	1,758
24" x .220	1,998	1,898
24" x .250	2,394	2,274
26" x .187	1,914	1,818
26" x .210	2,066	1,963
30" x .175	2,123	2,017
30" x .187	2,184	2,075
30" x .210	2,348	2,231
30" x .220	2,540	2,413
30" x .250	2,960	2,812
32" x .175	2,449	2,327
32" x .187	2,578	2,449
32" x .210	2,687	2,553
36" x .175	2,692	2,557
36" x .187	2,750	2,613
36" x .210	2,928	2,782
36" x .220	3,112	2,956
36" x .250	3,541	3,364
42" x .187	3,804	3,614
42" x .210	3,990	---
42" x .250	4,299	4,084
48" x .210	4,532	---
48" x .250	4,880	---
54" x .210	5,298	---
54" x .250	5,628	---
60" x .220	6,819	---
72" x .220	12,296	---

When creating a specification for hand saw blades, use this formula:

W (spec) (grade) -20, -16, -9 or M (Example: W535P-20)

When ordering 40mm blades add M to end of part number. (WP24187M)

When ordering 20mm blades add MM to end of part number. (WP24187MM)

When ordering 16mm blades add M16 to end of part number. (WP24187M16)

When ordering 9mm blades add M9 to end of part number (WP16187M9)

U-Gullet core is not available for 20mm blades.

U-Gullet core is available for 40mm blades upon request.



To ensure maximum performance, water is required to cool these blades during the cutting process.

Bond Specification Chart

Material	Sandwich	Non-Sandwich
Fast cutting hard aggregate	W212	W20
General purpose hard aggregate	W323	W2033
Fast cutting and long life	W3A3	W33
Fast cutting general purpose	W434	W3342
Fast cutting general purpose-extended life in heavy steel and hard aggregate	---	W41
General purpose medium aggregate	W535	W42
Long life general purpose	W545	---
Long life soft aggregate, brick & block	W5A5	W50

WALL SAW BLADES

Super Premium Silver		
Size	Standard Core List Price 9mm/16mm/20mm/40mm	U-Gullet Core List Price 9mm/16mm/40mm
18" x .125	\$1,028	\$977
18" x .187	1,443	1,371
18" x .210	1,533	1,456
18" x .220	1,676	---
18" x .250	1,927	---
20" x .125	1,182	1,123
20" x .140	1,250	1,188
20" x .155	1,333	---
20" x .165	1,414	---
20" x .187	1,576	1,497
20" x .210	1,664	---
20-5/8" x .125	1,182	1,123
20-5/8" x .140	1,250	1,188
24" x .140	1,506	1,431
24" x .187	1,895	1,800
24" x .210	2,064	1,961
24" x .220	2,220	2,109
24" x .250	2,681	2,547
26" x .187	2,170	2,062
26" x .210	2,320	2,204
30" x .175	2,328	---
30" x .187	2,428	2,307
30" x .210	2,583	2,454
30" x .220	2,764	2,626
30" x .250	3,322	3,156
32" x .175	2,444	---
32" x .187	2,613	2,482
32" x .210	2,734	---
36" x .175	2,935	---
36" x .187	2,999	2,849
36" x .210	3,248	3,086
36" x .220	3,468	3,295
36" x .250	3,964	3,766
42" x .187	4,089	3,885
42" x .210	4,339	---
42" x .250	4,744	4,507
48" x .210	4,866	---
48" x .250	5,343	---
54" x .210	5,639	---
54" x .250	6,208	---
60" x .220	7,009	---



To ensure maximum performance, water is required to cool these blades during the cutting process.

CRACK SAW & LOOP BLADES



Random Crack Saw Blades

Sizes: 5"-8"

- Random Crack Saw Blades are used to prepare random cracks for resealing with joint sealant material

Available Quality Grades:

Heavy Duty Orange (H) (.250" diamond depth)

Premium Black (P) (.275" diamond depth)

Random Crack Saw Specifications		
Aggregate Type	Green Concrete	Cured Concrete
Hard to Medium Hard	G64DW	C56
Soft	G606DW	C60

Random Crack Saw Blades				
SIZE*	H.D. Orange (H) Part #	H.D. Orange LIST PRICE	Premium Black (P) Part #	Premium Black List Price
5" x .250	CCH05250	\$426	CCP05250	\$545
5" x .375	CCH05375	557	CCP05375	715
5" x .500	CCH05500	693	CCP05500	883
6" x .250	CCH06250	487	CCP06250	617
6" x .375	CCH06375	634	CCP06375	808
6" x .500	CCH06500	781	CCP06500	992
7" x .250	CCH07250	579	CCP07250	770
7" x .375	CCH07375	790	CCP07375	1,003
7" x .500	CCH07500	971	CCP07500	1,240
8" x .250	CCH08250	671	CCP08250	850
8" x .375	CCH08375	868	CCP08375	1,109
8" x .500	CCH08500	1,069	CCP08500	1,364

All crack saw blades can be either laser welded or silver brazed upon request. Undercut protection may be added to any random crack saw blade.

* Additional blade sizes are available upon request.



LOOP BLADE PROFILE VIEW

Disc style core for use on competition style loop saws. Uses asphalt or concrete wet blade specifications-give us your application and we'll determine the blade for you. **Used for cutting wide joints for laying electric wire to activate traffic signals.**

Traffic Loop Blades

Sizes: 12"-18"

Traffic Loop Blades				
SIZE	Premium Black (P) Part #	Premium Black List Price	Pro Blue (T) Part #	Pro Blue List Price
12" x .250	CLP12250	\$2,594	CLT12250	\$2,616
12" x .310	CLP12310	2,709	CLT12310	2,736
12" x .375	CLP12375	2,834	CLT12375	2,866
14" x .250	CLP14250	3,075	CLT14250	3,105
14" x .310	CLP14310	3,214	CLT14310	3,253
14" x .375	CLP14375	3,366	CLT14375	3,402
14" x .500	CLP14500	3,668	---	---
18" x .250	CLP18250	3,818	CLT18250	3,847
18" x .310	CLP18310	3,985	CLT18310	4,102
18" x .375	CLP18375	4,169	CLT18375	4,215
18" x .500	CLP18500	4,542	---	---

* Other sizes may be available. Call the factory for more information.

Typical grades include:

Premium Black (P) (.275" diamond depth)

Professional Blue (T) (.310" diamond depth)



To ensure maximum performance, water is required to cool these blades during the cutting process.

BEVEL & REFRACTORY BLADES



Bevel Blades

Sizes: 8"-12"

- Bevel wet blades are used in pairs with each blade having a 45 degree angle giving the user a 90 degree bevel in the cut.
- Blades must be ordered in pairs
- Bevel blades can be redressed to maintain chamfer for angle
- Diamond depth varies based on quality grade, thickness and angle thickness

Bevel Blades

SIZE	H.D. Part #	H.D. List Price	Premium Part #	Premium List Price
8" x .250	CH08250MBVL	\$618	CP08250MBVL	\$803
12" x .250	CH12250MBVL	927	CP12250MBVL	1,164
12" x .500	CH12500MBVL	1,946	CP12500MBVL	2,459

Bevel Blade Specifications

Aggregate Type	Specification
Hard	C56
Medium Hard	C60
Soft	C64

Additional blade sizes are available upon request. Prices are per single blade.

Available Quality Grades:

Heavy Duty Orange (H)

Premium Black (P)

(Spacers sold separately)

Refractory Blades

Sizes: 12"-20"

- Long Lasting, Fast Cutting in a Wide Range of Refractory Materials.

Available high concentration quality grades:

Heavy Duty Orange (H) (.295" diamond depth)

Premium Black (P) (.250" diamond depth)

Supreme Silver (U) (.250" diamond depth)

Refractory Blades

SIZE	H.D. Orange (H) Part #	H.D. Orange List Price	Premium Black (P) Part #	Premium Black List Price	Supreme Silver (U) Part #	Supreme Silver List Price
12" x .110	RH12110M	\$383	RP12110M	\$518	RU12110M	\$620
12" x .125	RH12125M	406	RP12125M	564	RU12125M	676
14" x .110	RH14110M	476	RP14110M	629	RU14110M	743
14" x .125	RH14125M	511	RP14125M	687	RU14125M	802
16" x .125	RH16125M	571	RP16125M	730	RU16125M	966
18" x .125	RH18125M	650	RP18125M	829	RU18125M	1,000
20" x .125	RH20125M	739	RP20125M	938	RU20125M	1,113

Refractory Blade Specifications

Material/Abrasive Level	Specification
High alumina, hard materials, fast cutting	R92
Medium duty fire brick, fast cutting	R95
General purpose, insulating brick, ladle brick	R98
Long life for silicon carbide & other abrasive materials	R99



1" arbor with drive pin hole is standard. Custom arbor sizes/types available upon request. When ordering, please specify arbor size/type. Additional blade sizes available upon request.

Refractory materials are used in linings for furnaces, kilns, incinerators and reactors.



To ensure maximum performance, water is required to cool these blades during the cutting process.

JOINT WIDENING BLADES



Available Quality Grades:
Heavy Duty Orange (H) (.250" depth)
Premium Black (P) (.275" depth)
Professional Blue (T) (.310" depth)

Joint Widening & Cleaning

Sizes: 12"-14"

- Widen control joints in green concrete or old sealed joints in cured concrete.
- Used in pairs with spacers, which allow the desired joint width to be maintained by flipping the blades inside out as the side gauge wears on the outside edge
- Spacers used between joint blades are made specifically for your machine and application

Joint Widening Blades

SIZE	H.D. Part #	H.D. List Price	Premium Part #	Premium List Price	Pro Blue Part #	Pro Blue List Price
12" x .187	AH12187M	\$762	AP12187M	\$912	AT12187M	\$1,003
12" x .220	AH12220M	887	AP12220M	1,136	AT12220M	1,214
12" x .250	AH12250M	919	AP12250M	1,147	AT12250M	1,237
14" x .187	AH14187M	920	AP14187M	1,148	AT14187M	1,238
14" x .250	AH14250M	1,131	AP14250M	1,470	AT14250M	1,545

Joint Widening & Cleaning Specifications

Aggregate Type	Specification
Hard-Average Abrasive	G62DW
Hard-High Abrasive	G64DW
Med Hard-Average Abrasive	G605DW
Soft-High Abrasive	G606DW

* Additional blade sizes are available upon request.

Ninja Joint Cleaning Blades

Sizes: 12"-14"



Used in pairs for fast, aggressive removal of sealants and compressibles in existing control joints while cutting joint face into smooth surface for resealing.
 See Joint Widening Specifications for Bonds.

Available Quality Grades:
Heavy Duty Orange (H) (.250" diamond depth)
Premium Black (P) (.275" diamond depth)
Professional Blue (T) (.310" diamond depth)

Ninja Joint Cleaning Blades

SIZE	H.D. Part #	H.D. List Price	Premium Part #	Premium List Price	Pro Blue Part #	Pro Blue List Price
12" x .187	CNH12187M	\$512	CNP12187M	\$671	CNT12187M	\$742
12" x .220	CNH12220M	626	CNP12220M	789	CNT12220M	887
12" x .250	CNH12250M	664	CNP12250M	919	CNT12250M	963
14" x .187	CNH14187M	631	CNP14187M	869	CNT14187M	978
14" x .220	CNH14220M	811	CNP14220M	889	CNT14220M	1,202
14" x .250	CNH14250M	878	CNP14250M	1,147	CNT14250M	1,221

These are typical blades sizes. Custom sizes may be available.

*Ninja blades must be used in pairs. Prices listed are for single blades. Spacers are required for Ninja blades. Please call the factory for customized spacers.

Spacers are used between Ninja blades and are made specifically for your machine and application. (Spacers sold separately.)



To ensure maximum performance, water is required to cool these blades during the cutting process.

CHAMFER, GROOVING & GRINDING HEADS



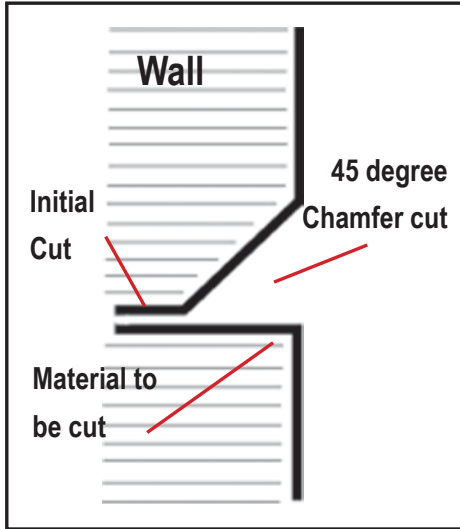
Chamfer Grinding Blade

Size: 12"

- 45 degree angled segments on thick disc to make chamfer cuts for decorative and angle applications in concrete and other wall materials
- Can be used in pairs
- Special Premium grade diamonds for long life
- For use on wall saws or walk behind saws
- Works great on our CC1600 wall saw

Chamfer Special Grinding Blade

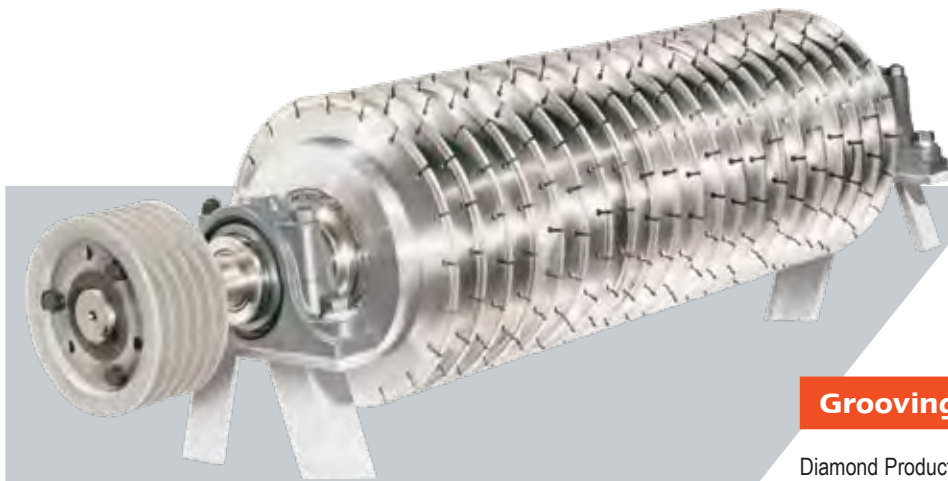
Size	Part #	Cat #	Description	List Price
12" x .250" x 1"	CP12250CHF15	04094	Premium with 1.575" long, 45 degree segments	\$3,203
12" x .250" x 1"	CP12250CHF1	41198	Premium with 1" long, 45 degree segments	3,052
12" x .250" x 1"	CP12250CHF1527	57392	Premium with 1" long, 27 degree segments	3,124



For use on walk behind saws.



For use on wall or hydraulic hand saws.



Grooving & Grinding Heads

Diamond Products helps maximize the life of its grooving and grinding heads by matching the correct diamond concentrations with machine horsepower

We manufacture high quality, long lasting CORE CUT™ grooving and grinding blades in all arbors for all types of machines. Call your local sales representative for blade specifications that fit your grooving and grinding machine.



To ensure maximum performance, water is required to cool these blades during the cutting process.

FLOOR GRINDING BLOCKS & HEADS



Aluminum Disc Shown with Grinding Blocks



Diamond Segmented Grinding Block

Carbide Cutting Block

Grinding blocks have a bolt-on back which offers a more secure holding of the diamond grinding block.



GB4000XT Super Premium Block-11mm segment height-extra long life

*Designed for our dual head floor grinders. Recommended to replace all 6 blocks at the same time.

Floor Grinding Blocks

- Grinding blocks designed for wet floor grinding
- Can be easily re-segmented
- Set of three or six diamond blocks available that also work with competition-style floor grinders
- Works best for grinding high spots, preparation for new finished or polished concrete floors
- Made with top quality diamonds to ensure long lasting, fast grinding efficiency

Diamond Grinding Blocks

Part #	CAT #	Application	Spec	List Price
GB4000	39674	Hard Concrete, Non-Abrasive	GB64	\$203
GB4000	68323	General Purpose	GB66	203
GB4000	76121	Epoxy Mortar, Long Life	GB68	203
GB4000XT	40386	Super Premium, General Purpose	GBXT	253

Terrazzo Grinding-Contains Diamonds

GB4000	43782	60 Grit	GB50T60	\$203
GB4000	60218	80 Grit	GB50T80	203
GB4000	45915	120 Grit	GB50T120	203

Grinding Block Steel Shoe with 4 Segments

GB4000S	93642	Hard Concrete, Non-Abrasive	GB50	\$166
GB4000S	54071	Medium Hard Concrete	GB60	166
GB4000S	96260	Medium Concrete	GB64	166
GB4000S	96261	General Purpose	GB66	166
GB4000S	95837	Abrasive Materials	GB68	166
GB4000SV	33913	Extremely Hard Concrete (bolt on)	C19	243
GB4000SV	74985	Very Hard Concrete (bolt on)	C42	243
GB4000SV	33910	Hard Concrete (bolt on)	C51W	243
CCB4000	72741	Carbide Cutting Block	---	268
CCBI4000	85627	Carbide Cutting Insert Only	---	67
6041057	55473	Aluminum Disc-Right Side w/3 slot	---	146
6041058	47862	Aluminum Disc-Left Side w/3 slot	---	146
WEDGES	46872	Wooden Wedges for Holding Grinding Stones (See Abrasives Section)	---	1

PCD Grinding

For epoxy and glue removal. Use in multiples on 8" or 10" grinding head.

For use on **CORE CUT** single or dual head floor grinders.



PCD Grinding Wing

PCD Grinding Heads

Part #	CAT #	Application	List Price
PCDWING	21751	PCD wing for grinding (3 pieces per grinding head)	\$186
GH08PCD	13406	8" grinding head with 2 PCD grinding wings	549
GH10PCD	23758	10" grinding head with 3 PCD grinding wings	708
GH10PCDLEFT	54116	10" grinding head (Left) with 3 PCD grinding wings	708
CGPC4500	14986	4-1/2" x 5/8-11 PCD General Purpose Cup Grinder for epoxy, glue & mastic removal	335
CGPC7000	21715	7" x 5/8-11 PCD General Purpose Cup Grinder for epoxy, glue & mastic removal	419



EPOXY & GLUE



PCD grinding heads use the DRY discount. All other grinding heads use the Wet discount.



For use on floor grinding machines.



To ensure maximum performance, water is required to cool grinding tools during the grinding process.

FLOOR GRINDING HEADS

Floor Grinding Heads

Sizes: 8"-12"

- Large 10" and 12" grinding heads that take the rough spots out of concrete surfaces in a hurry along with an 8" head for smaller units
- Effective on floors, streets, highways, sidewalks and more
- Cleans, levels and smooths bumps and uneven areas
- Removes rain spots and epoxies
- For use on Core Cut floor grinders and other similar machines



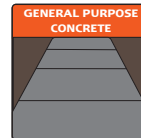
8" Heavy Duty Orange Floor Grinding Heads			
Material, Abrasive Level	8", 12 Seg Specification	CAT #	List Price
Hard, Non-Abrasive	GSH9	03330	\$539
Soft, Abrasive	GHH9	14317	539

10" Heavy Duty Orange Floor Grinding Heads			
Material, Abrasive Level	10", 12 Seg Specification	CAT #	List Price
Hard, Non-Abrasive	GSH10	11393	\$603
Soft, Abrasive	GHH10	23592	603
Material, Abrasive Level	10", 24 Seg Specification	CAT #	List Price
Hard, Non-Abrasive	GSH20	11401	\$999
Soft, Abrasive	GHH20	11398	999

12" Heavy Duty Orange Floor Grinding Heads			
Material, Abrasive Level	12", 12 Seg Specification	CAT #	List Price
Hard, Non-Abrasive	GSH12	69786	\$852
Soft, Abrasive	GHH12	76758	852
Material, Abrasive Level	12", 24 Seg Specification	CAT #	List Price
Hard, Non-Abrasive	GSH24	39534	\$1,247
Soft, Abrasive	GHH24	38541	1,247

10" Premium Black Floor Grinding Heads			
Material, Abrasive Level	10", 12 Seg Specification	CAT #	List Price
Hard, Non-Abrasive	GSP10	11406	\$746
Soft, Abrasive	GHP10	20198	746
Material, Abrasive Level	10", 24 Seg Specification	CAT #	List Price
Hard, Non-Abrasive	GSP20	00019	\$1,264
Soft, Abrasive	GHP20	11410	1,264

12" Premium Black Floor Grinding Heads			
Material, Abrasive Level	12", 12 Seg Specification	CAT #	List Price
Hard, Non-Abrasive	GSP12	41193	\$1,003
Soft, Abrasive	GHP12	41194	1,003
Material, Abrasive Level	12", 24 Seg Specification	CAT #	List Price
Hard, Non-Abrasive	GSP24	39164	\$1,494
Soft, Abrasive	GHP24	40051	1,494

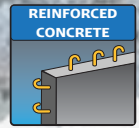


For use on floor grinding machines.



To ensure maximum performance, water is required to cool grinding heads during the grinding process.

DIAMOND WIRE



Diamond Beaded Wire

For use on all Core Cut wire saws for cutting reinforced concrete, masonry stone and metals. Available with rubber injected and plastic coated versions in Premium and Supreme grades.



BSG3 (Sharpened) – Electroplated Ultra Grade for Reinforced Concrete - 46 beads per meter



BSG3 – Electroplated Ultra Grade for Reinforced Concrete - 40 beads per meter



WS3C – Sintered Diamond Super Grade for Reinforced Concrete - 40 bead per meter



WV3B – Vacuum Brazed Ultra Grade for Reinforced Concrete 40 beads per meter



DWHP2S – Electroplated Super Grade for Steel - 46 beads per meter - Used on higher HP machines

BS-421 – Impregnated Premium Grade for Reinforced Concrete - 40 beads per meter

BS-30 – Impregnated Supreme Grade for Reinforced Concrete - 40 bead per meter - used for higher HP machines



BRW – Electroplated Super Grade - Wider Cut in Reinforced Concrete - 40 beads per meter

Diamond Beaded Wire

Description	Color/Coating	Concentration	Diamond Grade	Specification	Part #	Cat #	List Price
10.2mm x 6mm Electroplated Wire (ideal for heavily reinforced concrete)	Black/Rubber	High	Ultra	BSG3	WRD10.2EP3S	48781	\$136
10mm x 6mm Electroplated Wire	Yellow/Rubber	High	Ultra	BSG3 (sharpened)	SWRD10EP3	28154	156
11mm x 6.5mm Sintered Wire	Black/Rubber	Very High	Super	WS3C	WRD1165PR	84547	146
10.2mm x 5.5mm Vacuum Brazed Wire	Orange/Rubber	Very High	Ultra	WV3B	WRD10255PR	79498	133
10.5mm x 5mm Electroplated Wire (For Steel Only)	Yellow/Rubber	High	Super	DWHP2S	WR1150URS	34118	160
11mm x 6mm Impregnated Wire	Yellow/Rubber	High	Premium	BS-421	WR1160PR	57519	147
11mm x 6mm Impregnated Wire	Yellow/Rubber	Very High	Supreme	BS-30	WR1160UR	99948	170
15mm x 5.5mm Electroplated Wire	Black/Rubber	High	Super	BRW	WR1555R	02205	173

DIAMOND WIRE ACCESSORIES



HT45 Hydraulic Crimping Tool

Makes it easy to repair or connect diamond wire more easily



HT45 Crimping Tool Jaws

(set of 2 pieces) Measures:
1.100" wide x .355" thick x .830 high



Hand Crimping Tool



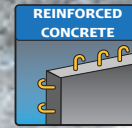
Screw Connectors



High Quality Diamond Beads

Wire and Bead Accessories			
Description	Part #	Cat #	List Price
Brass Crimp Bead	1900182	00161	\$1
Swivel Crimp Pin	724037	87592	2
3/16" Galvanized Wire	1900235	53461	5
5/16" Wire Connector for use with 1400521 jaw set	1900183	00162	3
Swivel Crimp Tool	860404	67966	1,000
Hand Crimping Tool	1900074	00160	1,042
Wire Connectors 3/8"	1400177	74910	30
Swivel Connectors	1400178	48176	96
Screw Connectors	1400180	51176	42
C-12 Hand Held Wire Cutter	1900073	00159	952
HT45 Hydraulic Crimping Tool	1400174	68408	1,795
Threaded crimps 7mmx20mm (inside thread)	1900296	82513	3
Crimping jaws use with Ht45	1400297	72310	125
Crimping jaws use with HT45 and ONLY 5/16" crimp	1400521	42848	315

RING SAW BLADES



DragonSaw



Dragon Claw Ring Saw Blades

Sizes: 12"/16"/20"

- For use ONLY with the Dragon Ring Saw
- Special 16mm split segments for fast cutting and slurry removal
- Use with water only
- 12" cutting depth with 16" blade
- 16" cutting depth with 20" blade



Wear plate is included with Dragon Claw blades.

See Dragon Saw operator's manual for replacement frequency and instructions.

Replacement Wear Plate:
Part #-6061184, Cat # 86515 - \$184

Ring Saw Blades Specs

CRSDR18HM-16	Extremely Hard Aggregate with Heavy Steel (specifically designed for electric and gas Dragon saws)
CRSDR20HM-16	Very Hard Aggregate
C41HM-16	Hard Aggregate
C42HM-16	Hard to Medium Hard Aggregate

Heavy Duty Orange Wet Dragon Claw Ring Blades with Wear Plate

SIZE	C41HM-16 CAT #	C42HM-16 CAT #	CRSDR18HM-16 CAT #	CRSDR20HM-16 CAT #	List Price
12" x .155	-	-	69664	77770	\$771
16" x .155	29301	93866	61775	38330	1,420
20" x .155	29303	93865	61781	16362	1,585

Wear plate is included with each Dragon Claw Ring blade



Wet Ring Saw Blades

Sizes: 14"

- Available with or without drive wheel
- Custom wet bond specifications available
- Offers a 10" cutting depth
- Use for pre-cutting or following chain cutting
- For use on competition-style ring saws

NOTE: These blades DO NOT fit the Dragon Ring Saw

Ring Saw Blades Specs

C42HM	Very Hard Aggregate
C42WHM	Very Hard Aggregate with High Steel
C50HM	Hard Aggregate
C51WHM	Medium Hard Aggregate with Moderate Steel
G50HM	Green Concrete with Hard Aggregate

Wet Ring Saw Blades

SIZE	CAT #	Specification	List Price
14" x .165	90666	C42HM	\$660
14" x .165	92209	C50HM	660
14" x .165	90021	C51WHM	660
14" x .165	92527	G50HM	660
14" x .235	91403	C42WHM	952
14" x .235	91404	C51WHM	952
14" x .165	91495W	C42HM	726
14" x .165	9266w	C50HM	726
14" x .165	90134W	C51WHM	726
14" x .165	54864w	G50HM	726
14" x .235	92576w	C42WHM	1,018
14" x .235	91057w	C51WHM	1,018

♦ Denotes blades that include drive wheel.



To ensure maximum performance, water is required to cool wire during the cutting process.

DRY BLADE SPECIFICATIONS

HIGH SPEED BLADE SPECIFICATIONS

Application	Delux Cut	Star Blue	Standard Gold	Imperial Purple	X-Tra Plus Red	Heavy Duty Orange MAXX
Quality #	1	2	3	4	5	6
Reinforced Concrete	H7D	H7B	H7S	H7I	H7X	H7H
Hard Aggregate Concrete	H7D	H7B	H7S	H7I	H7X	H7H
Concrete	H8D	H8B	H8S	H8I	H8X	H8H
Asphalt	H10D	H10B	H10S	H10I	H10X	H10H
Green Concrete	H10D	H10B	H10S	H10I	H10X	H10H
Brick & Block	H10D	H10B	H10S	H10I	H10X	H10H

SMALL DIAMETER BLADE SPECIFICATIONS

Application	Delux Cut	Star Blue	Standard Gold	X-Tra Plus Red	Heavy Duty Orange	Premium Black
Quality #	1	2	3	4	5	6
Reinforced Concrete	E2D	E2B	E2S	E2X	E2H	E2P
Hard Aggregate Concrete	E2D	E2B	E2S	E2X	E2H	E2P
Concrete	E2D	E2B	E2S	E2X	E2H	E2P
Asphalt	E5D	E5B	E5S	E5X	E5H	E5P
Green Concrete	E5D	E5B	E5S	E5X	E5H	E5P
Brick & Block	E5D	E5B	E5S	E5X	E5H	E5P

MASONRY BLADE SPECIFICATIONS

Application	Delux Cut	Star Blue	Standard Gold	Heavy Duty Orange	Premium Black
Quality #	1	2	3	5	6
Hard Materials, Hard Brick	DM80B	DM80B	DM80S	DM80H	DM80P
Concrete Combo Brick/Block	DM85D	DM85B	DM85S	DM85H	DM85P
Combo Brick/Block	DM86D	DM86B	DM86S	DM86H	DM86P
Abrasive Brick/Block	DM87D	DM87B	DM87S	DM87H	DM87p

BLADE BUSHINGS

Description	Part #	Cat #	List Price
7/8" outside diameter x 5/8" inside diameter x .045 thickness	1700001	00099	\$1
7/8" outside diameter x 5/8" inside diameter x .125 thickness	1700004	00102	5
7/8" outside diameter x 20 MM inside diameter x .125 thickness	1700005	00104	2
1" outside diameter x 20 MM inside diameter x .070 thickness	1700007	00106	6
1" outside diameter x 7/8" inside diameter x .070 thickness	1700009	00109	4
1-3/8" outside diameter x 1" inside diameter x .110 thickness	1700010	00110	9
1" outside diameter x 5/8" inside diameter x .070 thickness	1700011	00111	9
DIAMOND outside diameter x 5/8" inside diameter x .045 thickness	1700013	00113	1
1" outside diameter x 20 MM inside diameter x .375 thickness	1700020	00116	6
1" outside diameter x 7/8" inside diameter x .375 thickness	1700043	00129	10
1" outside diameter x 20MM inside diameter x .250 thickness	1700122	46799	4
1" outside diameter x 20MM inside diameter x .200 thickness * for FastCut saws	1700134	50326	4



HIGH SPEED BLADES



Diamond Depth:
.440" (11mm)
Segment Height:
.540" (14mm)



Diamond Depth:
.375" (10mm)
Segment Height:
.475" (12mm)



Diamond Depth:
.395" (10mm)
Segment Height:
.470" (12mm)

Delux-Cut

- Basic quality diamond and economical cutting value
- Sintered segment

Star Blue

- Good quality diamond and good cutting value

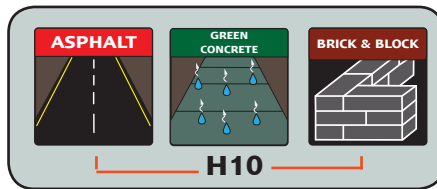
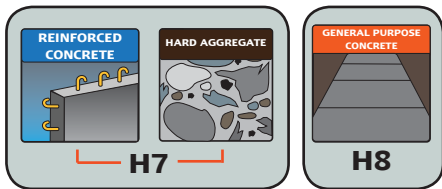
Standard Gold

- Better quality diamond and better cutting value

H8D		
SIZE	CAT #	List Price
10" x .110 x 1"	22856	\$103
12" x .110 x 1"	70495	117
14" x .125 x 1"	70499	124
16" x .125 x 1"	20926	254
H8D 5-Packs		
12" x .110 x 1"	01795	\$562
14" x .125 x 1"	01796	595
H8D 10-Packs		
12" x .110 x 1"	17560	\$1,123
14" x .125 x 1"	17580	1,190
H10D		
12" x .110 x 1"	50526	\$117
14" x .125 x 1"	50537	124
16" x .125 x 1"	50545	254
H10D 5-Packs		
12" x .110 x 1"	50563	\$562
14" x .125 x 1"	50595	595

H8B		
SIZE	CAT #	List Price
10" x .110 x 1"	17710	\$131
12" x .110 x UNV	92398	135
14" x .125 x UNV	85261	191
16" x .125 x UNV	21424	339
18" x .125 x 1"	63599	344
H8B 5-Packs		
12" x .110 x UNV	95054	\$648
14" x .125 x UNV	95055	917
H10B		
12" x .125 x 1"	03048	\$135
14" x .125 x 1"	14355	191
16" x .125 x UNV	21217	339
H10B 5-Packs		
12" x .125 x 1"	36841	\$648
14" x .125 x 1"	15889	917

H7S		
SIZE	CAT #	List Price
12" x .110 x UNV	57706	\$200
14" x .125 x UNV	57719	250
16" x .125 x UNV	91674	375
18" x .125 x 1"	16868	582
20" x .125 x 1"	28271	652
H8S		
12" x .110 x UNV	57707	\$200
14" x .125 x UNV	57720	250
16" x .125 x UNV	92873	375
H10S		
12" x .110 x UNV	57708	\$200
14" x .125 x UNV	57721	250
16" x .125 x UNV	91767	375
18" x .125 x 1"	14395	582
20" x .125 x 1"	13846	652



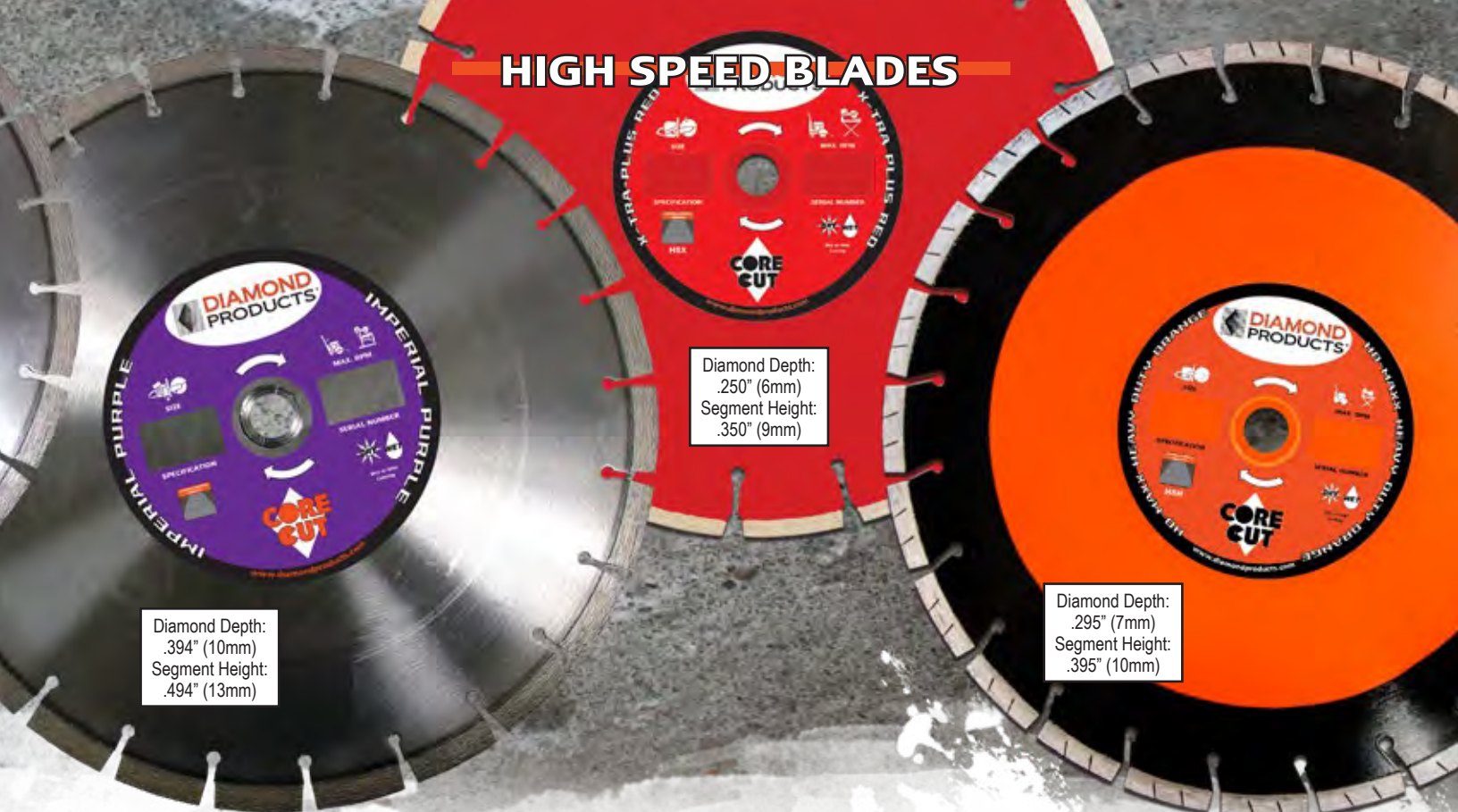
Specifications:

H7_ - Reinforced concrete and hard materials

H8_ - General Concrete

H10_ - Asphalt, green concrete, brick and block

HIGH SPEED BLADES



Diamond Depth:
.394" (10mm)
Segment Height:
.494" (13mm)

Diamond Depth:
.250" (6mm)
Segment Height:
.350" (9mm)

Diamond Depth:
.295" (7mm)
Segment Height:
.395" (10mm)

Imperial Purple

- Better quality diamond and very good cutting life

H8I		
SIZE	CAT #	List Price
12" x .110 x UNV	85149	\$306
14" x .125 x UNV	78976	428
16" x .125 x UNV	96480	536
18" x .125 x 1"	34504	587
20" x .140 x 1"	29041	748
H10I		
12" x .110 x UNV	15376	\$306
14" x .125 x UNV	15379	428
16" x .125 x UNV	15381	536
18" x .125 x 1"	39209	587
20" x .140 x 1"	35259	748



Dry blades are cooled with air by using intermittent cutting. Dry blades can be used with water.



For use on high speed, masonry and low HP walk behind saws

X-tra Plus Red

- Higher quality diamond and long cutting life

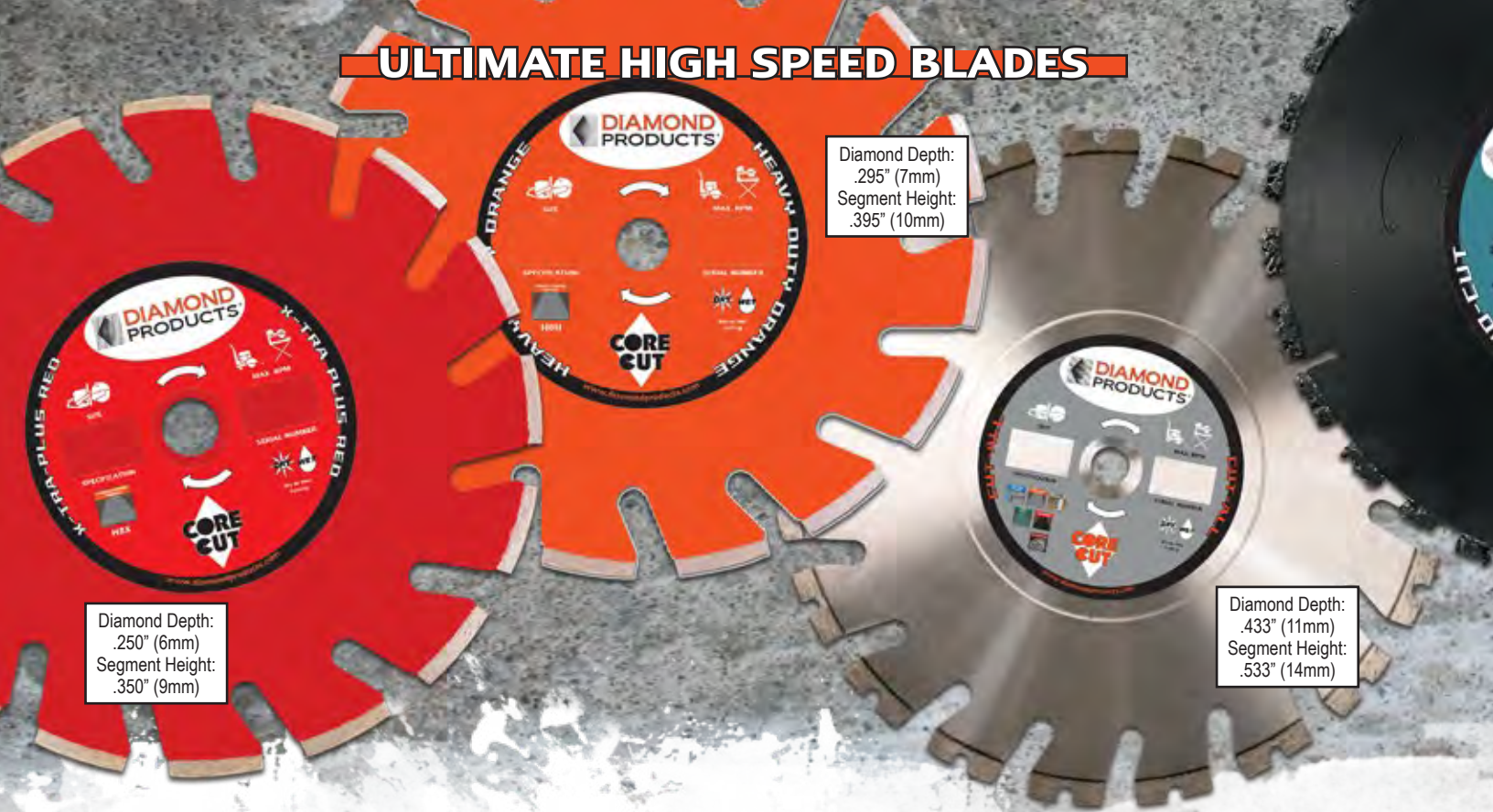
H7X		
SIZE	CAT #	List Price
10" x .110 x 1"	11762	\$354
12" x .110 x UNV	53710	403
12" x .125 x UNV	53717	440
14" x .110 x UNV	53721	503
14" x .125 x UNV	53725	543
16" x .125 x UNV	75606	643
18" x .125 x 1"	15713	702
20" x .125 x 1"	11802	803
H8X		
10" x .110 x 1"	11763	\$354
12" x .110 x UNV	53714	403
12" x .125 x UNV	53718	440
14" x .110 x UNV	53722	503
14" x .125 x UNV	53726	543
16" x .125 x UNV	89386	643
18" x .125 x 1"	11799	702
20" x .125 x 1"	15137	803
H10X		
10" x .110 x 1"	11761	\$354
12" x .110 x UNV	53715	403
12" x .125 x UNV	53719	440
14" x .110 x UNV	53723	503
14" x .125 x UNV	53727	543
16" x .125 x UNV	76291	643
18" x .125 x 1"	11798	702
20" x .125 x 1"	11801	803

Heavy Duty Orange MAXX

- Very high quality diamond and longer cutting life

H7H		
SIZE	CAT #	List Price
10" x .110 x 1"	11421	\$429
12" x .110 x UNV	53729	481
12" x .125 x UNV	53733	528
14" x .110 x UNV	53737	606
14" x .125 x UNV	53741	655
14" x .235 x 1"	11546	1,173
16" x .125 x UNV	91045	770
18" x .125 x 1"	11555	856
20" x .125 x 1"	11560	982
H8H		
10" x .110 x 1"	11422	\$429
12" x .110 x UNV	53730	481
12" x .125 x UNV	53734	528
14" x .110 x UNV	53738	606
14" x .125 x UNV	53742	655
14" x .235 x 1"	11547	1,173
16" x .125 x UNV	90185	770
18" x .125 x 1"	11556	856
20" x .125 x 1"	11561	982
H10H		
10" x .110 x 1"	11418	\$429
12" x .110 x UNV	53731	481
12" x .125 x UNV	53735	528
14" x .110 x UNV	53739	606
14" x .125 x UNV	53743	655
14" x .235 x 1"	28280	1,173
16" x .125 x UNV	89971	770
18" x .125 x 1"	14231	856
20" x .125 x 1"	11558	982

ULTIMATE HIGH SPEED BLADES



Diamond Depth: .295" (7mm)
Segment Height: .395" (10mm)

Diamond Depth: .250" (6mm)
Segment Height: .350" (9mm)

Diamond Depth: .433" (11mm)
Segment Height: .533" (14mm)

X-Tra Plus Red Ultimate

- Higher quality diamond and long cutting life

Heavy Duty Orange Ultimate

- Very high quality diamond and longer cutting life

Cut-ALL Multi-Purpose Ultimate

- Very high quality diamond and longer cutting life
- Great for the general contractor that requires a faster cut to get the job done quickly

H7XU		
SIZE	CAT #	List Price
12" x .125 x UNV	78765	\$352
14" x .125 x UNV	78766	397
16" x .125 x UNV	78767	491
H8XU		
12" x .125 x UNV	66306	\$352
14" x .125 x UNV	66307	397
16" x .125 x UNV	66308	491
H10XU		
12" x .125 x UNV	78768	\$352
14" x .125 x UNV	78769	397
16" x .125 x UNV	78770	491

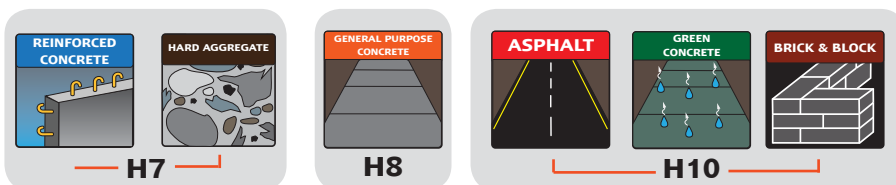
H7HU		
SIZE	CAT #	List Price
12" x .125 x UNV	73928	\$384
14" x .125 x UNV	74413	432
16" x .125 x UNV	73192	525
H8HU		
12" x .125 x UNV	66309	\$384
14" x .125 x UNV	66310	432
16" x .125 x UNV	66311	525
H10HU		
12" x .125 x UNV	68680	\$384
14" x .125 x UNV	70172	432
16" x .125 x UNV	78764	525

H8CAU		
SIZE	CAT #	List Price
12" x .125 x UNV	21922	\$419
14" x .125 x UNV	21927	526
16" x .125 x UNV	21928	578

Specifications:

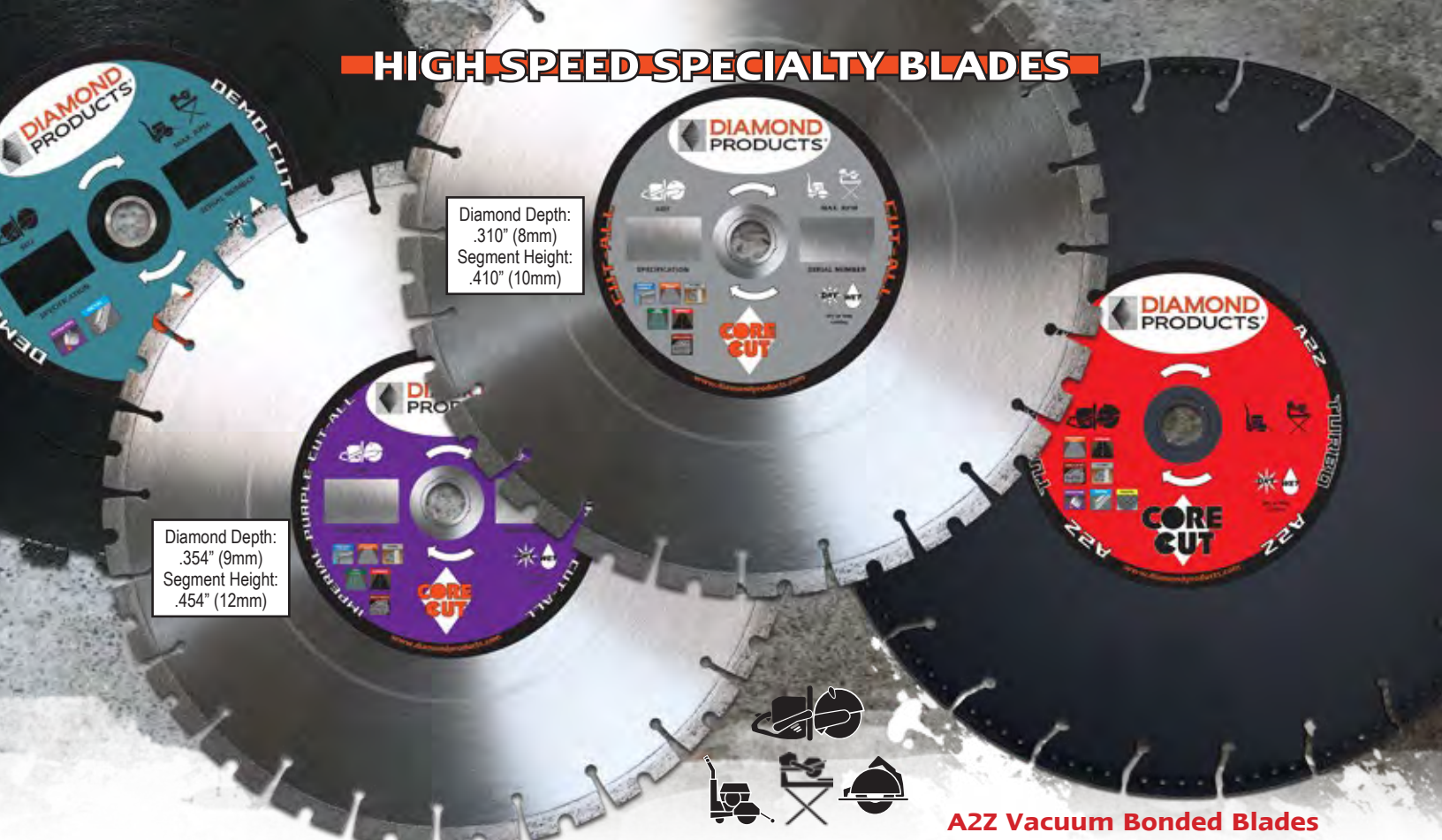
- H7__ Reinforced concrete-hard materials
- H8__ Concrete
- H10__ Asphalt, green concrete, brick and block
- H8CAU -Multi-Purpose best suited for harder materials

UNV = 1" to 20mm universal knockout arbor
1" arbor blades include a 20mm bushing



For use on high speed, masonry and low HP walk behind saws

HIGH SPEED SPECIALTY BLADES



Diamond Depth: .310" (8mm)
Segment Height: .410" (10mm)

Diamond Depth: .354" (9mm)
Segment Height: .454" (12mm)

Cut-ALL Multi-Purpose Blades

- Great for the general contractor or landscaper whose job is different everyday.
- Split segment removes slurry more efficiently for faster and more economical cutting.

Heavy Duty Cut-ALL Multi-Purpose		
SIZE	H8CA Cat #	List Price
12" x .125 x UNV	84967	\$496
14" x .125 x UNV	84968	582
16" x .125 x UNV	84969	674
18" x .125 x 1"	86709	1,078
20" x .125 x 1"	84970	1,247
20 x .140 x 1"	86633	1,297
Cut-ALL Multi-Purpose 5-Packs		
12" x .125 x UNV	84989	\$2,381
14" x .125 x UNV	84990	2,794

Imperial Purple Cut-ALL Multi-Purpose		
SIZE	H8ICA Cat #	List Price
12" x .125 x UNV	15372	\$451
14" x .125 x UNV	15373	524
16" x .125 x UNV	15375	599

The Cut-ALL Split Segment Creates a Larger Weld Surface, Offering Double the Weld Strength Than Conventional Split Segment Blades

UNV = 1" and 20 mm universal arbor. High speed blades have a drive pin hole for use on small low HP walk behind saws

A2Z Vacuum Bonded Blades

- Vacuum bonded technology-diamonds are adhered to the core landing
- Great for rescue and emergency situations
- Cuts a wide range of materials
- Holes in the core landing help with cooling while cutting metal and other heat generating materials

A2Z Vacuum Bonded Blade		
SIZE	T7AZ Cat #	List Price
4" x .080 x 7/8"	44795	\$115
4-1/2" x .080 x 7/8"	21511	123
6" x .090 x 7/8"	13565	149
7" x .095 x 7/8"	21531	196
12" x .125 x 1"	21535	392
14" x .125 x 1"	21571	444
16" x .125 x 1"	21576	584
18" x .145 x 1"	69187	687
20" x .155 x 1"	69190	893

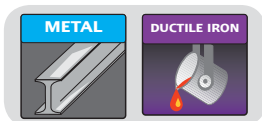
7/8" arbor blades include 5/8" bushing
1" arbor blades include 20mm heavy duty bushing

REINFORCED CONCRETE	GENERAL PURPOSE CONCRETE	ASPHALT	HARD AGGREGATE	BRICK & BLOCK	GREEN CONCRETE	PAVERS	STONE	METAL	DUCTILE IRON	H8CA H8ICA T7AZ
---------------------	--------------------------	---------	----------------	---------------	----------------	--------	-------	-------	--------------	-----------------------

Demo-Cut

- Carbide-tipped for metals, roofing and building materials, wood, tar, fire doors, plastic and rubber. **Not suitable for concrete.**
- Made with .250" thick carbide chunks that allow extremely fast cutting that will not bind or load (an important factor in rescue cutting).

Demo-Cut Rescue Blade		
SIZE	Cat #	List Price
7" x .250 x 5/8"	04613	\$374
12" x .250 x 1"	96301	514
14" x .250 x 1"	96302	677
16" x .250 x 1"	26491	819



***Warning:** When sawing, dust and material particles will be common as this product is very aggressive. Wear protective safety equipment when using and handling this blade. Blade edges are very sharp. Do not exceed saw manufacturer recommended RPM. Periodic inspections are required to insure proper condition. Never use damaged or cracked blades. Please consult warning sheet provided with blade.



HIGH SPEED TURBO BLADES



Diamond Depth:
.187" (5mm)
Segment Height:
.287" (7mm)

Diamond Depth:
.400" (10mm)
Segment Height:
.500" (13mm)

Diamond Depth:
.370" (9mm)
Segment Height:
.470" (12mm)

Diamond Depth:
.354" (9mm)
Segment Height:
.454" (12mm)

Delux-Cut

Basic quality diamond and economical cutting value

SIZE	T7D Cat #	T7D List Price	T7D 5-pack Cat #	T7D 5-pack List Price
4" x .080 x 7/8"	21124	\$14	21242	\$67
4-1/2" x .080 x 7/8"	21134	16	21288	77
5" x .080 x 7/8"	21139	24	21289	115
6" x .080 x 7/8"	21141	31	21308	149
7" x .095 x 7/8"	21163	37	21318	178
8" x .095 x 7/8"	21183	43	---	---
9" x .095 x 7/8"	21203	60	---	---
10" x .110 x 1"	21204	79	---	---
12" x .125 x 1"	21205	113	21220	542
14" x .125 x 1"	21212	143	21229	686

Star Blue

Good quality diamond and good cutting value

SIZE	T7B Cat #	List Price	T7B 5-pack Cat #	T7B 5-pack List Price
4" x .080 x 7/8"	74959	\$20	76589	\$96
4-1/2" x .080 x 7/8"	74960	22	76590	106
5" x .080 x 7/8"	80002	34	---	---
6" x .080 x 7/8"	80003	39	---	---
7" x .095 x 7/8"	74961	46	76591	221
8" x .095 x 7/8"	80004	57	---	---
9" x .095 x 7/8"	80005	75	---	---
10" x .110 x 1"	80006	103	---	---
12" x .125 x 1"	74962	147	84981	706
14" x .125 x 1"	74964	183	84983	878

Standard Gold

Better quality diamond and better cutting value

SIZE	T7S Cat #	List Price
4" x .080 x 7/8"	12480	\$44
4-1/2" x .080 x 7/8"	12483	54
5" x .080 x 7/8"	12486	73
6" x .080 x 7/8"	12487	83
7" x .095 x 7/8"	12489	90
8" x .095 x 7/8"	12493	107
9" x .095 x 7/8"	12494	180
10" x .110 x 1"	12495	238
12" x .125 x UNV	58454	272
14" x .125 x UNV	58455	308
16" x .125 x 1"	14527	347
20" x .140 x 1"	15584	551
Standard Gold 5-Packs		
4" x .080 x 7/8"	55237	\$211
4-1/2" x .080 x 7/8"	55238	259
7" x .095 x 7/8"	55239	432

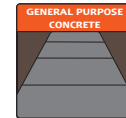
Imperial Purple

Better quality diamond and very good cutting life

SIZE	T7I Cat #	T7I List Price	T7I 5-pack Cat #	T7I 5-Pack List Price
12" x .125 x 1"	79952	\$304	84987	\$1,459
14" X .125 X 1"	79953	424	84988	2,035

• T7I blades have a built-in wear protection to extend the life of the blade

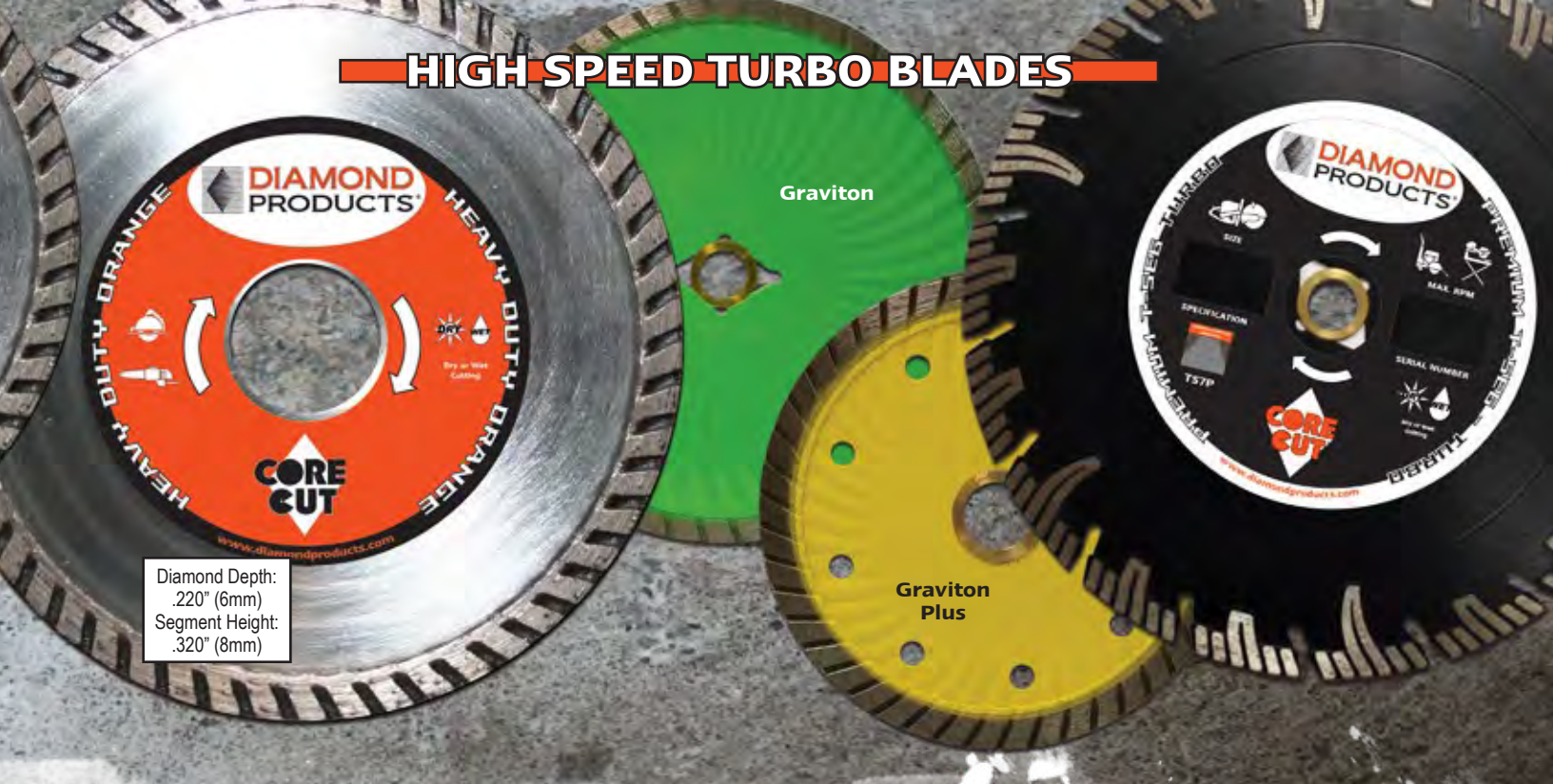
Turbo blades offer a faster cut than segmented blades due to the serrated segment design, allowing less surface-to-surface contact.



For use on electric circular saws, high speed saws masonry saws and right angle grinders.

UNV = 1" and 20 mm universal knockout arbor
4" through 10" blades include 5/8" bushing
◆ = diamond shaped arbor

HIGH SPEED TURBO BLADES



Diamond Depth:
.220" (6mm)
Segment Height:
.320" (8mm)

Heavy Duty Orange Turbo

Very high quality diamond and longer cutting life

SIZE	T7H Cat #	List Price
4" x .080 x 7/8"	12281	\$110
4-1/2" x .080 x 7/8"	12286	142
5" x .080 x 7/8"	12290	174
6" x .080 x 7/8"	12292	194
7" x .095 x 7/8"	12298	220
8" x .095 x 7/8"	12309	255
9" x .095 x 7/8"	12312	309
10" x .110 x 1"	12315	365
12" x .125 x UNV	53862	410
14" x .125 x UNV	53863	482
16" x .125 x 1"	12336	602
16" x .125 x 20mm	28824	602
20" x .140 x 1"	12338	855
Heavy Duty Orange 5-Packs		
4" x .080 x 7/8"	55240	\$528
4-1/2" x .080 x 7/8"	55241	682
7" x .095 x 7/8"	55242	1,056

UNV = 1" and 20 mm universal knockout arbor
1" arbor blades include 20mm bushing
4" through 10" blades include 5/8" bushing

Graviton™ Turbo Blades Good Cutting Life

SIZE	T7GR Cat #	List Price
4" x .085 x 7/8"	57328	\$35
4-1/2" x .085 x 7/8"	57379	39
7" x .085 x 7/8"	57332	78

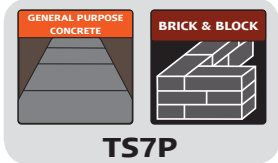
Graviton™ Plus Turbo Blades Longer Cutting Life

SIZE	T7GR+ Cat #	List Price
4" x .095 x 7/8"	57335	\$45
4-1/2" x .100 x 7/8"	57347	54
7" x .110 x 7/8"	57351	107

Premium T-Seg Turbo Blades

General purpose cutting in concrete and masonry
Special T-Segment offers built-in core protection

SIZE	TS7P Cat #	List Price
4" x .070 x 7/8"	73958	\$59
4-1/2" x .070 x 7/8"	73959	63
5" x .075 x 7/8"	73960	69
6" x .080 x 7/8"	73961	92
7" x .090 x 7/8"	73962	105
8" x .095 x 7/8"	73964	124
9" x .095 x 7/8"	73965	152
10" x .095 x 7/8"	73966	174
12" x .125 x 1"	74610	311
14" x .125 x 1"	74612	406



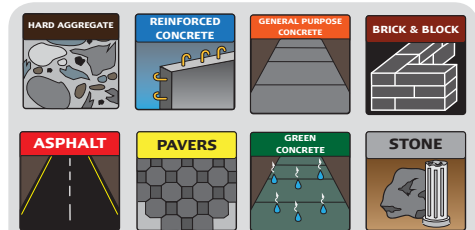
Blades 7" and above come with a 7/8" bushing (removable) in a diamond arbor



Turbo blades are cooled with air by using intermittent cutting.
Turbo blades can be used with water.

Graviton™ Turbo

Wavy core enhances cutting speed
Continuous rim turbo style for a smooth cut



T7GR, T7GR+

SPECIALTY TURBO BLADES



X-Turbo Blade

- Unique turbo core with enhanced air holes to keep the blade cool at high speeds
- General purpose, super fast cutting in multiple applications
- Includes a full radius drop segment for enhanced blade life.

X-Turbo Blades		
SIZE	T7X Cat #	List Price
12" x .125 x 1"	63754	\$155
14" x .125 x 1"	63760	214
14" x .125 x 20mm	70864	214
16" x .125 x 1"	63763	281
20" x .125 x 1"	63764	448

XXXL-Turbo Blade

- Three different segments for longer life, faster cutting and reliable performance
- General purpose, super fast cutting
- Serrated turbo segment for the fastest cut
- Extended blade life with slant segment wear protection and tall segments

Triple-XL Turbo Blades		
SIZE	T7XL3 Cat #	List Price
12" x .125 x 1"	42890	\$357
14" x .125 x 1"	42891	415
16" x .125 x 1"	42892	491
18" x .125 x 1"	60247	659
20" x .125 x 1"	42893	707
24" x .140 x 1"	63105	973

G.O. Grain Organized

- Standard straight segment and a turbo slant segment for fast cutting while protecting the core

G.O. Grain Organized High Speed Turbo Blades		
Size	Cat #	List Price
12" x .125 x 1	81528	\$470
14" x .125 x 1	81321	525
16" x .125 x 1	81530	680

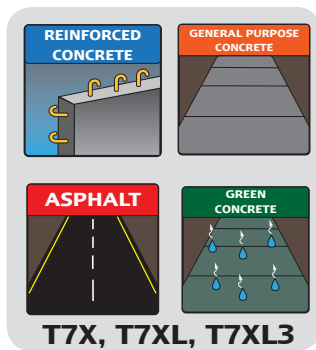
Includes 20mm bushing

XL-Turbo Blade

- Unique turbo core with even more air holes to keep the blade cool at higher speeds
- General purpose, super fast cutting
- **Better** quality and blade cutting life

XL-Turbo Blades		
SIZE	T7XL Cat #	List Price
12" x .125 x 1"	19311	\$322
14" x .125 x 1"	19312	383
16" x .125 x 1"	20161	448
20" x .125 x 1"	20183	615

All X-Line blade Include 20mm bushing



Blades 12" & 14" used on high speed, masonry, circular, tile and block saws

GRAIN ORGANIZED

G.O. LONGER Slant segment extends cutting life

G.O. FASTER Turbo segment maximizes cutting performance

G.O. GRAIN ORGANIZED Organized diamonds in the segments provide a constant cutting edge



SPECIFICATION

H8GO - Long life, fast cutting in general purpose concrete



Close-Up of Organized Diamonds in the Segment

SPECIALTY TURBO BLADES



Diamond Depth:
.187" (4.75mm)

Diamond Depth:
.220" (5.6mm)

Star Blue H.P. Turbo

- Good quality diamond and good cutting value
- Very fast cutting
- Basic blade life

Standard Gold H.P. Turbo

- Better quality diamond and better cutting value
- Very fast cutting
- Better blade life

Heavy Duty Orange H.P. Turbo

- Very high quality for very fast cutting in general purpose hard materials, pavers, hard brick/block and stone
- Longer blade life

Star Blue H.P. Turbo		
SIZE	HPT7B Cat #	List Price
4" x .080 x 7/8"	87986	\$48
4-1/2" x .080 x 7/8"	88004	73
7" x .095 x \blacklozenge 7/8"	88020	120
12" x .125 x 1"	88053	249
14" x .125 x 1"	88056	275
20" x .140 x 1"	88060	561

\blacklozenge = diamond shaped arbor

- Segmented core with serrated turbo-style diamond segments allow a faster cut due to less surface-to-surface contact
- Faster cutting than traditional continuous rim turbo blades
- Dry blades that can also be used with water for cooling

*UNV = 1" and 20 mm universal knockout arbor
1" arbor blades come with 20mm bushing*

Standard Gold H.P. Turbo		
SIZE	HPT7S Cat #	List Price
4" x .080 x 7/8"	11703	\$104
4-1/2" x .080 x 7/8"	11704	112
5" x .080 x 7/8"	28247	146
6" x .080 x 7/8"	19906	152
7" x .095 x 7/8"	11705	185
8" x .095 x 7/8"	11707	204
9" x .095 x 7/8"	22322	251
10" x .110 x 1"	11708	276
12" x .125 x UNV	58452	319
14" x .125 x UNV	58453	357
16" x .125 x 1"	28654	438
18" x .125 x 1"	14072	504
20" x .140 x 1"	11715	618
24" x .125 x 1"	09723	1,030
24" x .140 x 1"	34336	1,058
Standard Gold 5-Packs		
4" x .080 x 7/8"	57939	\$499
4-1/2" x .080 x 7/8"	57941	538
7" x .095 x 7/8"	57943	888

Heavy Duty Orange H.P. Turbo			
SIZE	HPT5H Cat #	HPT7H Cat #	List Price
4" x .080 x 7/8"	23909	11637	\$101
4-1/2" x .080 x 7/8"	25669	11639	122
5" x .080 x 7/8"	42803	11641	163
6" x .080 x 7/8"	94460	11642	177
7" x .095 x 7/8"	35586	11643	196
8" x .095 x 7/8"	16777	11645	245
9" x .095 x 7/8"	16776	11646	283
10" x .110 x 1"	26574	11648	320
12" x .125 x UNV	59995	58210	379
14" x .125 x UNV	59890	58451	428
16" x .125 x UNV	29711	33372	521
18" x .125 x 1"	71056	11677	598
20" x .125 x 1"	56521	37682	663
20" x .140 x 1"	24198	11678	743
24" x .140 x 1"	27664	76645	1,062
Heavy Duty Orange H.P. 5-Packs			
4" x .080 x 7/8"	---	57940	\$485
4-1/2" x .080 x 7/8"	---	57942	586
7" x .095 x 7/8"	---	57944	941



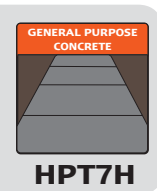
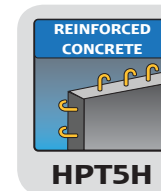
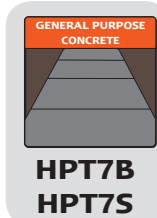
Blades 4" to 10"
used on circular saws



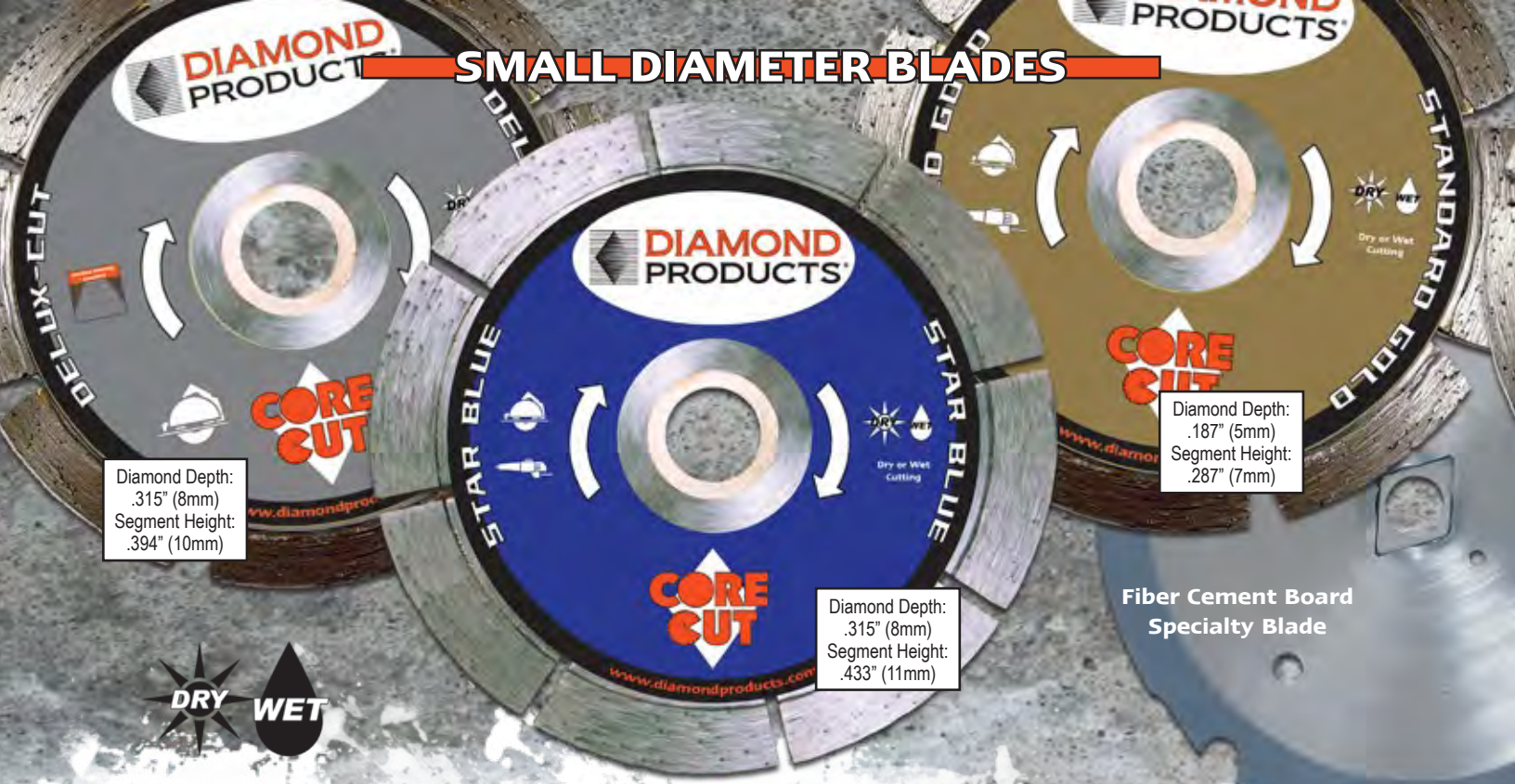
Blades 4", 4-1/2"
& 7" used on right
angle grinders



Blades 12" & 14" used on high
speed and masonry saws



SMALL DIAMETER BLADES



Diamond Depth: .315" (8mm)
Segment Height: .394" (10mm)

Diamond Depth: .187" (5mm)
Segment Height: .287" (7mm)

Diamond Depth: .315" (8mm)
Segment Height: .433" (11mm)

Fiber Cement Board Specialty Blade



Delux-Cut		
Basic quality diamond and economical cutting value		
SIZE	E2D Cat #	List Price
4" x .080 x 7/8"	20966	\$14
4-1/2" x .080 x 7/8"	21002	16
5" x .080 x 7/8"	22729	23
6" x .080 x 7/8"	22783	30
7" x .080 x 7/8"	22785	34
8" x .080 x 7/8"	22802	38
9" x .080 x 7/8"	22820	43
Delux-Cut 10-Packs		
4" x .080 x 7/8"	21003	\$134
4-1/2" x .080 x 7/8"	21016	154

Star Blue		
Good quality diamond and good cutting value		
SIZE	E2B Cat #	List Price
4" x .070 x 7/8"	74950	\$18
4-1/2" x .070 x 7/8"	74951	21
5" x .080 x 7/8"	70461	31
6" x .080 x 7/8"	70470	38
7" x .080 x 7/8"	74952	42
8" x .080 x 7/8"	74953	48
9" x .080 x 7/8"	70494	56
Star Blue 10-Packs		
4" x .070 x 7/8"	42196	\$173
4-1/2" x .070 x 7/8"	42201	202

Standard Gold			
Better quality diamond and better cutting value			
SIZE	E2S Cat #	E5S Cat #	List Price
4" x .070 x 7/8"	11344	11346	\$48
4-1/2" x .070 x 7/8"	11347	11349	57
5" x .080 x 7/8"	11350	11351	64
6" x .080 x 7/8"	11352	16866	82
7" x .080 x 7/8"	11355	11357	84
8" x .080 x 7/8"	11359	11360	96
9" x .095 x 7/8"	95049	95050	114
Standard Gold 5-Packs			
4" x .070 x 7/8"	57953	55256	\$230
4-1/2" x .070 x 7/8"	57954	55258	274
7" x .080 x 7/8"	57955	55260	403

Fiber Cement Board Blade		
SIZE	Cat #	List Price
7-1/4" x 085 x 7/8"	71787	\$126

- Designed for stacked sheet cutting of fiber cement board
- Four segments made with polycrystalline synthetic diamonds
- Outlasts several carbide-tipped blades

GENERAL PURPOSE CONCRETE

E2D
E2B
E2S
E2X
E2H
E2P

ASPHALT

E2D
E2B
E2S
E2X
E2H
E2P



For use on electric circular saws and side grinders

SMALL DIAMETER BLADES



Diamond Depth:
.220" (6mm)
Segment Height:
.315" (8mm)

Diamond Depth:
.315" (8mm)
Segment Height:
.433" (11mm)

Diamond Depth:
.220" (6mm)
Segment Height:
.315" (8mm)

X-Tra Plus Red Higher quality diamond and long cutting life			
SIZE	E2X Cat #	E5X Cat #	List Price
4" x .070 x 7/8"	11366	11368	\$70
4-1/2" x .070 x 7/8"	11370	11373	90
5" x .080 x 7/8"	11374	11375	92
6" x .080 x 7/8"	11378	11379	119
7" x .080 x 7/8"	11380	11381	123
8" x .080 x 7/8"	11383	11386	145
9" x .080 x 7/8"	11387	11388	190
X-tra Plus Red 5-Packs			
4" x .070 x 7/8"	55261	55262	\$336
4-1/2" x .070 x 7/8"	55263	55264	432
7" x .080 x 7/8"	55265	55266	590

Heavy Duty Orange Very high quality diamond and longer cutting life			
SIZE	E2H Cat #	E5H Cat #	List Price
4" x .070 x 7/8"	11242	11244	\$92
4-1/2" x .070 x 7/8"	11249	11253	113
5" x .080 x 7/8"	11257	11259	115
6" x .080 x 7/8"	11263	11264	141
7" x .080 x 7/8"	11268	11274	148
8" x .080 x 7/8"	11290	11293	169
9" x .080 x 7/8"	11297	11302	251
Heavy Duty Orange 5-Packs			
4" x .070 x 7/8"	55267	55268	\$442
4-1/2" x .070 x 7/8"	55270	55271	542
7" x .080 x 7/8"	55272	55273	710



FLUSH CUT HUB ADAPTER for SMALL DIAMETER BLADES

Use Drawing # 52162 when ordering blades for flush cut hub adapter.

Used for cutting flush with a small diameter blade on a side grinder

The Flush Cut Hub fits any standard 5/8"-11 spindle. Blades must be ordered special with flush cut 4-bolt pattern in order to work with the hub adapter.

Part # 4400600, Cat # 53323 -List Price: \$71
4-bolt pattern with 5/8"-11 thread

Premium Black Small Diameter Highest quality diamond and longest cutting life			
SIZE	E2P Cat #	E5P Cat #	List Price
4" x .070 x 7/8"	11304	11305	\$111
4-1/2" x .070 x 7/8"	11307	11308	129
5" x .080 x 7/8"	11310	11311	133
6" x .080 x 7/8"	11315	11316	185
7" x .080 x 7/8"	11319	11322	197
8" x .080 x 7/8"	11338	11339	233
9" x .080 x 7/8"	11340	11342	305
Premium Black 5-Packs			
4" x .070 x 7/8"	55274	55275	\$533
4-1/2" x .070 x 7/8"	55276	55277	619
7" x .080 x 7/8"	55278	55279	946

MASONRY BLADES



Diamond Depth:
.440" (11mm)
Segment Height:
.540" (14mm)

Diamond Depth:
.375" (10mm)
Segment Height:
.475" (12mm)

Diamond Depth:
.250" (6mm)
Segment Height:
.350" (9mm)

Delux-Cut Masonry		
Basic quality diamond and economical cutting value		
SIZE	DM85D Cat #	List Price
12" x .110 x 1"	20887	\$91
14" x .125 x 1"	20888	96
18" x .125 x 1"	20908	286
20" x .125 x 1"	20924	368

Star Blue Masonry		
Good quality diamond and good cutting value		
SIZE	DM85B Cat #	List Price
12" x .110 x 1"	70504	\$105
14" x .125 x 1"	70520	111
18" x .125 x 1"	20649	324
20" x .125 x 1"	20651	431



For use on masonry
and block saws

Masonry Blade Specifications:

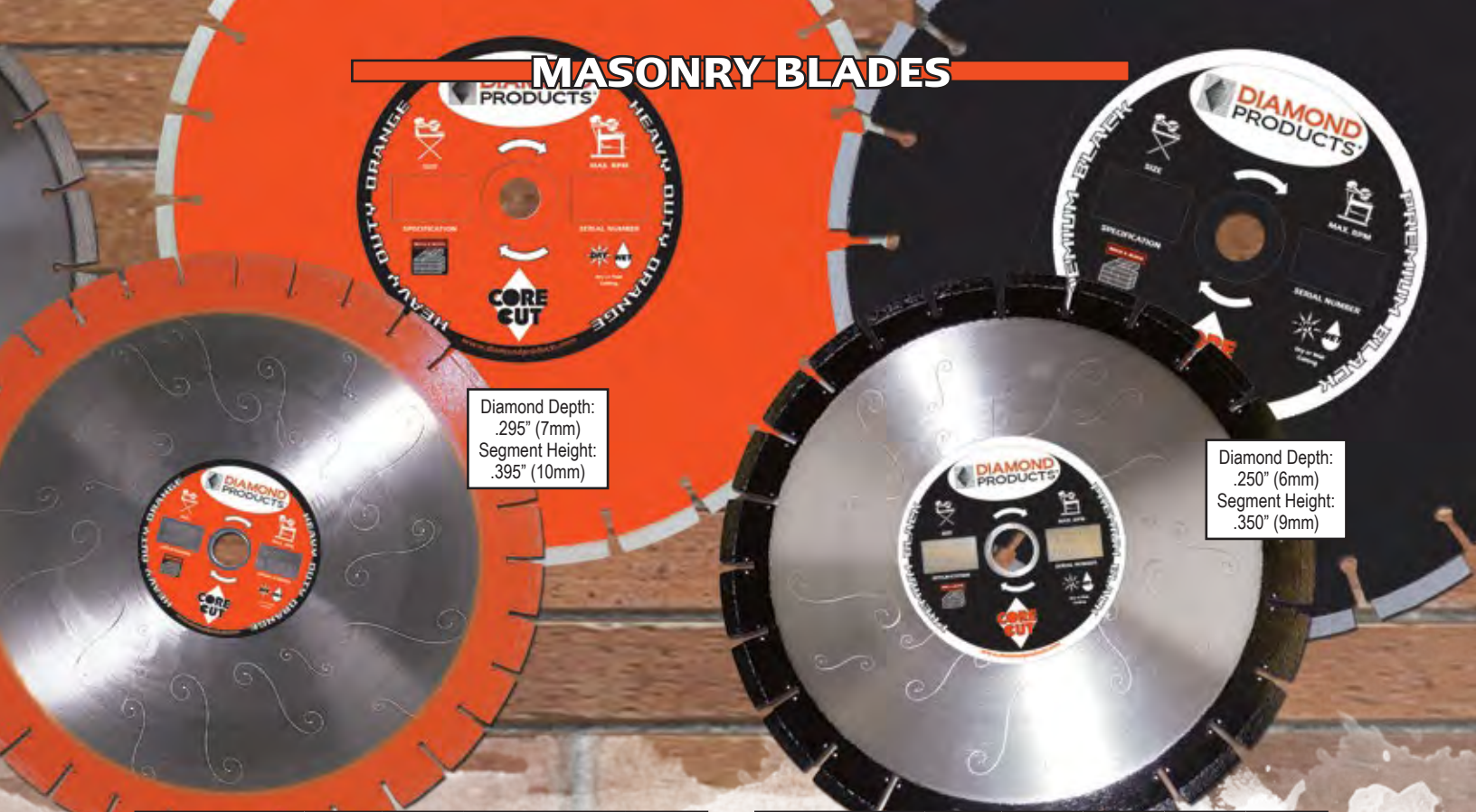
- DM80**-Hard materials, hard brick-fast cutting
- DM85**-General purpose, combo brick/block
- DM86**-Combo brick/block
- DM87**-Abrasive brick/block

***Not recommended for cutting reinforced concrete**

1" arbor blades come with 20mm bushing

Standard Gold Masonry					
Better quality diamond and better cutting value					
SIZE	DM80S Cat #	DM85S Cat #	DM86S Cat #	DM87S Cat #	List Price
10" x .110 x 1"	11947	11948	11949	11950	\$333
12" x .110 x 1"	11952	11954	11955	11956	388
14" x .110 x 1"	11959	11961	11964	11965	439
14" x .125 x 1"	22087	18360	36413	30441	486
16" x .125 x 1"	76800	74823	76801	11968	561
18" x .125 x 1"	28288	11973	11974	20122	674
20" x .125 x 1"	11976	11977	11978	11979	754
24" x .140 x 1"	40793	40794	40795	40796	952

MASONRY BLADES



Diamond Depth:
.295" (7mm)
Segment Height:
.395" (10mm)

Diamond Depth:
.250" (6mm)
Segment Height:
.350" (9mm)

Heavy Duty Orange Masonry

Very high quality diamond and longer cutting life

SIZE	DM80H Cat #	DM85H Cat #	DM86H Cat #	DM87H Cat #	List Price
10" x .110 x 1"	11817	11819	11820	11821	\$384
12" x .110 x 1"	11825	11827	11828	11829	466
14" x .110 x 1"	11847	11850	11853	11855	539
14" x .125 x 1"	11859	11861	11862	11864	598
16" x .125 x 1"	21697	11876	21421	46214	653
18" x .125 x 1"	11879	11881	11883	11884	747
20" x .125 x 1"	11893	11895	11897	11898	857
24" x .140 x 1"	40797	40798	40799	40800	1,085

Premium Black Masonry

Highest quality diamond and longest cutting life

SIZE	DM80P Cat #	DM85P Cat #	DM86P Cat #	DM87P Cat #	List Price
10" x .110 x 1"	11904	11905	11906	11907	\$437
12" x .110 x 1"	11908	11909	11910	11911	499
14" x .110 x 1"	11917	11920	11921	11922	628
14" x .125 x 1"	22109	14644	11925	21993	698
16" x .125 x 1"	11930	11931	38115	53034	861
18" x .125 x 1"	18611	11935	11936	11937	871
20" x .125 x 1"	11940	11942	11943	11944	1,074
24" x .140 x 1"	40801	40802	40803	51752	1,221

Heavy Duty Orange Silent Core Masonry

SIZE	DM80HSC Cat #	DM85HSC Cat #	DM86HSC Cat #	DM87HSC Cat #	List Price
14" x .125 x 1"	66587	66644	66648	66652	\$699
18" x .125 x 1"	66637	66645	32040	66653	1,126
20" x .140 x 1"	66638	66646	66650	66654	1,282
24" x .140 x 1"	66669	66647	66651	66655	1,550

Premium Black Silent Core Masonry

SIZE	DM80PSC Cat #	DM85PSC Cat #	DM86PSC Cat #	DM87PSC Cat #	List Price
14" x .125 x 1"	66640	66656	66660	66664	\$834
18" x .125 x 1"	66641	66657	66661	66665	1,134
20" x .140 x 1"	66642	10099	66662	66666	1,319
24" x .140 x 1"	66643	66659	66663	66667	1,614



For use on masonry
and block saws

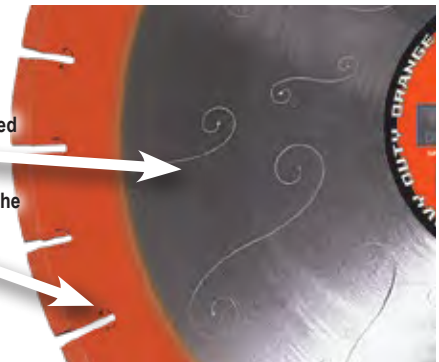
Masonry Blade Specifications:

- DM80-Hard materials, hard brick-fast cutting
- DM85-General purpose, combo brick/block
- DM86-Combo brick/block
- DM87-Abrasive brick/block

***Not recommended for cutting reinforced concrete**

Silent Core Masonry Blade
Laser cut harmonic dampeners
reduce vibration. Noise is reduced
by -10dB

Special laser anchor slots near the
segments provide for increased
noise reduction and helps
in the prevention of core
cracking



TUCK POINT BLADES



Diamond Depth: .250" (6mm)
Segment Height: .350" (9mm)

Diamond Depth: .250" (6mm)
Segment Height: .350" (9mm)

Diamond Depth: .187" (5mm)
Segment Height: .287" (7mm)

Diamond Depth: .250" (6mm)
Segment Height: .350" (9mm)

Diamond Depth: .220" (6mm)
Segment Height: .320" (8mm)

Delux-Cut Tuck Point Blades		
Basic quality diamond and economical cutting value		
SIZE	DT9D Cat #	List Price
4" x .250 x 7/8"	21065	\$52
4-1/2" x .250 x 7/8"	21072	58
7" x .250 x 7/8"	21074	134
Delux-Cut 5-Packs		
4" x .250 x 7/8"	21090	\$250
4-1/2" x .250 x 7/8"	21096	278
7" x .250 x 7/8"	21108	643

Star Blue Tuck Point Blades		
Good quality diamond and good cutting value		
SIZE	DT9B Cat #	List Price
4" x .250 x 7/8"	74966	\$68
4-1/2" x .250 x 7/8"	74967	72
5" x .250 x 7/8"	51438	89
7" x .250 x 7/8"	74968	173
Star Blue 5-Packs		
4" x .250 x 7/8"	76592	\$326
4-1/2" x .250 x 7/8"	76593	346
7" x .250 x 7/8"	76594	830

Standard Gold Tuck Point Blades		
Better quality diamond and better cutting value		
SIZE	DT9S Cat #	List Price
4" x .250 x 7/8"	12462	\$180
4-1/2" x .250 x 7/8"	12466	193
5" x .250 x 7/8"	12470	202
7" x .250 x 7/8"	12475	287
8" x .250 x 7/8"	12476	429
Standard Gold 5-Packs		
4" x .250 x 7/8"	55225	\$864
4-1/2" x .250 x 7/8"	55226	926
7" x .250 x 7/8"	55227	1,378

Utility Green Tuck Point Blades		
Very good quality diamond and good cutting value		
• 2-in-1 for faster cutting		
• 3-in-1 for faster cutting and wider cut		
SIZE	DT9G Cat #	List Price
4" x .250 x 7/8"	94186	\$88
4-1/2" x .250 x 7/8"	94187	114
5" x .250 x 7/8"	96364	152
7" x .250 x 7/8"	25953	195
Utility Green 2-in-1		
4" x .250 x 7/8"	31807	\$94
4-1/2" x .250 x 7/8"	20207	110
Utility Green 3-in-1		
4" x .375 x 7/8"	94183	\$194
4-1/2" x .375 x 7/8"	94184	202
5" x .375 x 7/8"	94185	208

Star Blue Multi-Tuck Point Blades		
Good quality diamond and good cutting value		
• 2-in-1 for faster cutting		
• 3-in-1 for faster cutting and wider cut		
SIZE	DT9B Cat #	List Price
Star Blue 2-in-1 Tuck Point Blades		
4" x .250 x 7/8"	20790	\$85
4-1/2" x .250 x 7/8"	22691	87
5" x .250 x 7/8"	07916	101
7" x .250 x 7/8"	51191	141
Star Blue 3-in-1 Tuck Point Blades		
4" x .375 x 7/8"	79892	\$138
4-1/2" x .375 x 7/8"	79893	147

Heavy Duty Orange Tuck Point Blades		
Very high quality diamond and longer cutting life		
SIZE	DT9H Cat #	List Price
4" x .250 x 7/8"	12418	\$206
4-1/2" x .250 x 7/8"	12429	234
5" x .250 x 7/8"	12437	263
7" x .250 x 7/8"	12446	341
8" x .250 x 7/8"	12454	459
Heavy Duty Orange 5-Packs		
4" x .250 x 7/8"	55228	\$989
4-1/2" x .250 x 7/8"	55229	1,123
7" x .250 x 7/8"	55230	1,637



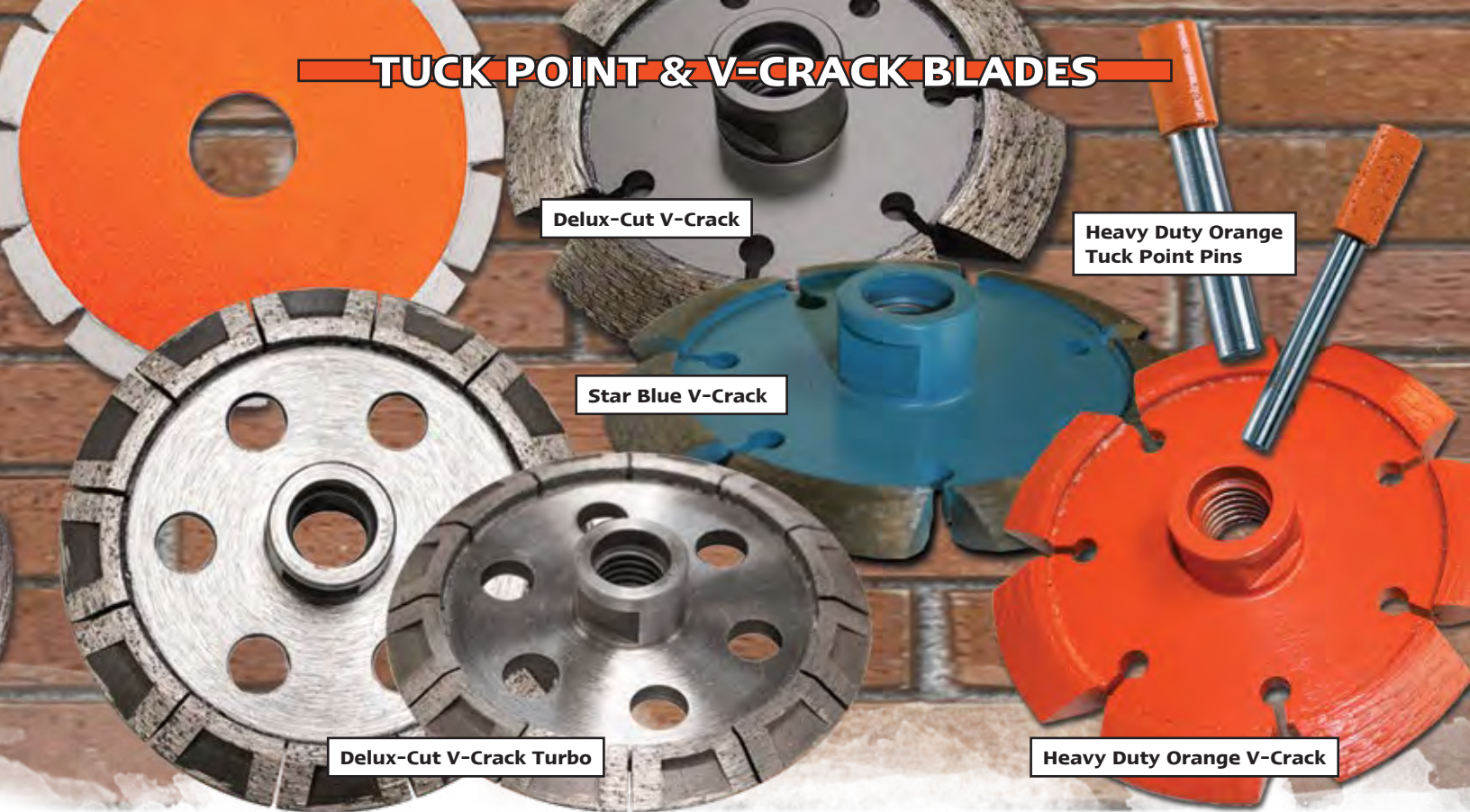
DT9

For mortar joints



For use on electric circular saws and side grinders

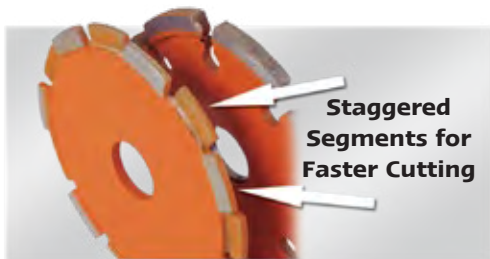
TUCK POINT & V-CRACK BLADES



V-Crack Blades:

- Cleans, routs and repairs cracks in concrete and other materials
- Fast cutting while leaving a clean groove
- Segment design provides longer life
- Segment width .310 at the widest point

Heavy Duty Orange High Performance Tuck Point Blades		
SIZE	HPDT9H Cat #	List Price
4" x .250 x 7/8"	11697	\$308
4-1/2" x .250 x 7/8"	11698	340
5" x .250 x 7/8"	11700	351
7" x .250 x 7/8"	11702	540
8" x .250 x 7/8"	16638	582
Heavy Duty Orange 5-Packs		
4" x .250 x 7/8"	55280	\$1,478
4-1/2" x .250 x 7/8"	55360	1,632
7" x .250 x 7/8"	55361	2,592
Tuck Point blades can be fitted with a diamond shaped arbor. Extra charge for diamond arbors (tuck point blades) \$15.00		



Heavy Duty Orange High Performance

- Very high quality diamond and longer cutting life
- Super-fast cutting due to less surface to surface contact
- For use on circular saws and right angle grinders

Delux-Cut V-Crack Blades		
Basic quality diamond and economical cutting value		
SIZE	V2D Cat #	List Price
4"	21118	\$217
7"	21122	402
Delux-Cut V-Crack Turbo Blade		
Basic quality diamond and faster cutting		
4"	12636	\$215

Star Blue V-Crack Blades		
Good quality diamond and good cutting value		
SIZE	V2B Cat #	List Price
4"	02739	\$239
7"	02746	423

Heavy Duty Orange V-Crack Blades		
Very high quality diamond and longer cutting life		
SIZE	V2H Cat #	List Price
4"	27542	\$337
7"	26719	531
7"	97808	627
diamond arbor		
7" x 7/8" round arbor	52501	542
Heavy Duty Orange 5-Packs		
4"	55223	\$1,618
7"	55224	2,549

Heavy Duty Orange Vertical Tuck Point Pins		
SIZE	VT2H Cat #	List Price
1/4" Diameter with 5/16" Shaft	12524	\$167
3/8" Diameter with 5/16" Shaft	12529	171
1/4" Diameter with 1/4" Shaft	93788	167
3/8" Diameter with 1/4" Shaft	93789	171



For mortar joints
Note: 5/8"-11 hub unless otherwise noted



For use on right angle grinders

Vertical Tuck Point Pins

- Great for cleaning out mortar from hard to reach joints and butt (vertical) joints
- Grinds out butt joints in seconds without damaging existing blocks
- For use on basic router machines

Your choice of 5/16" or 1/4" shafts.

CUP GRINDERS



Single Row-S5D
 • General grinding and removal

Single Row-S5B
 • General grinding and removal

Single Row-S5G
 • General grinding and removal

Double Row-D5D
 • General grinding and removal with a smooth finish

Double Row-D5B
 • General grinding and removal with a smooth finish

Double Row-D5G
 • General grinding and removal with a smooth finish

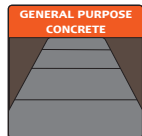
Delux-Cut Segmented Cup Grinders			
Basic quality diamond and economical grinding value			
SIZE/DESCRIPTION	SPEC	Cat #	List Price
4" x 5/8-11 Single Row	S5D	22405	\$52
4-1/2" x 5/8-11 Single Row	S5D	22406	60
5" x 5/8-11 Single Row	S5D	42539	68
7" x 5/8-11 Single Row	S5D	22408	101
7" x 7/8" Single Row	S5D	38970	101
4" x 5/8-11 Double Row	D5D	22410	96
4-1/2" x 5/8-11 Double Row	D5D	22415	101
5" x 5/8-11 Double Row	D5D	42541	119
7" x 5/8-11 Double Row	D5D	22418	146
7" x 7/8" Double Row	D5D	38971	146

Star Blue Segmented Cup Grinders			
Good quality diamond and good grinding value			
SIZE/DESCRIPTION	SPEC	Cat #	List Price
4" x 5/8-11 Single Row	S5B	77383	\$61
4" x 7/8" Single Row	S5B	63111	61
4-1/2" x 5/8-11 Single Row	S5B	77502	73
4-1/2" x 7/8" Single Row	S5B	63114	73
7" x 5/8-11 Single Row	S5B	77542	113
7" x 7/8" Single Row	S5B	63116	113
4" x 5/8-11 Double Row	D5B	70360	102
4" x 7/8" Double Row	D5B	63117	102
4-1/2" x 5/8-11 Double Row	D5B	70387	113
4-1/2" x 7/8" Double Row	D5B	63119	113
7" x 5/8-11 Double Row	D5B	70391	149
7" x 7/8" Double Row	D5B	63120	149

Utility Green Segmented Cup Grinders			
Very good quality diamond and very good grinding value			
SIZE/DESCRIPTION	SPEC	Cat #	List Price
4" x 5/8-11 Single Row	S5G	94177	\$87
7" x 5/8-11 Single Row	S5G	94178	165
4" x 5/8-11 Double Row	D5G	94175	139
4" x 7/8" Double Row	D5G	06617	139
7" x 5/8-11 Double Row	D5G	94176	227

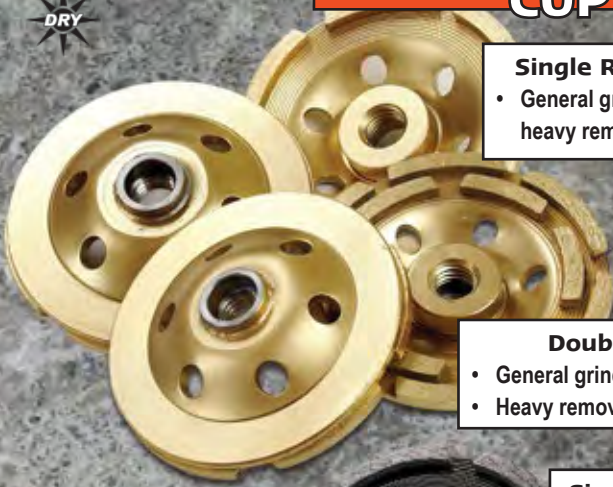


For use on right angle grinders



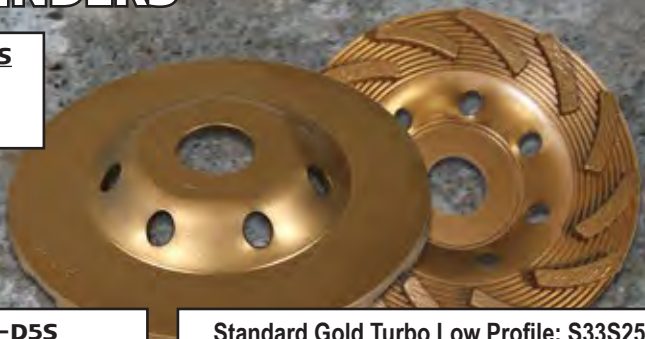


CUP GRINDERS



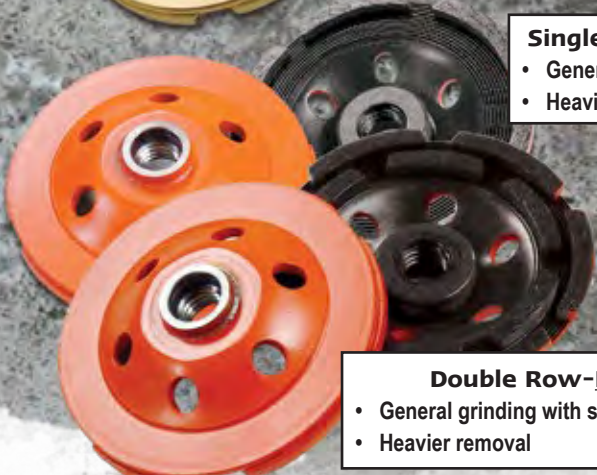
Single Row-S5S

- General grinding & heavy removal



Standard Gold Turbo Low Profile: S33S2530

- Grinding Medium to Hard Concrete
- High quality diamond and better grinding value



Double Row-D5S

- General grinding with smooth finish
- Heavy removal

Single Row-S5H

- General grinding
- Heavier removal



Heavy Duty Orange Turbo Low Profile: S33H2530

Grinding Medium to Hard Concrete
Very high quality diamond and longer grinding life

Double Row-D5H

- General grinding with smooth finish
- Heavier removal

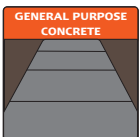
Standard Gold Segmented Cup Grinders				
Better quality diamond and better grinding value				
SIZE/DESCRIPTION	SPEC	Cat # (5/8"-11 hub)	Cat # (7/8" hub)	List Price
4" Single Row	S5S	07442	07446	\$113
5" Single Row	S5S	28508	07447	165
7" Single Row	S5S	07450	07451	196
4" Double Row	D5S	07429	07430	185
5" Double Row	D5S	07431	07432	226
7" x 5/8-11 Double Row	D5S	07434	07436	254

Standard Gold Low Profile Cups				
Size	Segment Type	Number of Segments	Cat #	List Price
5" x 5/8"-11	Single Row	7	84635	\$214
5" x 7/8"	Single Row	7	48352	214
5" x 5/8"-11	Spiral Turbo	12	48359	262
5" x 7/8"	Spiral Turbo	12	48389	262

Lower profile cups will fit on Bosch® grinders- A More Shallow Cup Than The Basic Cup Grinders
Single Row = Basic grinding and removal --
Spiral Turbo = Fast, heavy grinding and removal

Heavy Duty Orange Segmented Cup Grinders				
Very high quality diamond and longer life				
SIZE/DESCRIPTION	SPEC	Cat # (5/8"-11 hub)	Cat # (7/8" hub)	List Price
4" Single Row	S5H	00015	07403	\$169
5" Single Row	S5H	07404	21112	215
7" Single Row	S5H	00017	07412	304
4" Double Row	D5H	00016	07369	254
5" Double Row	D5H	07370	07372	309
7" Double Row	D5H	00018	07383	416

Heavy Duty Orange Low Profile Cups				
Size	Segment Type	Number of Segments	Cat #	List Price
5" x 5/8"-11	Single Row	7	84678	\$250
5" x 7/8"	Single Row	7	84692	250
5" x 5/8"-11	Spiral Turbo	12	84649	291
5" x 7/8"	Spiral Turbo	12	84677	291



For use on right angle grinders

Standard Gold and Heavy Duty Orange also available with special tall hubs



5/8"-11 Threaded Hub Version



7/8" Arbor Version

CUP GRINDERS



Delux Cut Spiral Turbo



Star Blue Spiral Turbo



Utility Green Spiral Turbo



Imperial Purple Spiral Turbo

Delux-Cut

- Spiral turbo for a fast grind

Delux-Cut Spiral Turbo Cup Grinders General grinding and removal with Basic life		
SIZE	T5D Cat#	List Price
4" x 5/8-11 (10 seg)	22419	\$55
4-1/2" x 5/8-11(12 seg)	22435	62
5" x 5/8-11 (9 seg)	42544	67
5" x 7/8 (9 seg)	55613	67
7" x 5/8-11" (12 seg)	22474	98
7" x 7/8" (12 seg)	52140	98
7" x 5/8-11 (24 seg)	22453	141

Utility Green

- Spiral turbo for a fast grind

Utility Green Spiral Turbo Cup Grinders General grinding and removal with Good life			
SIZE	T5G Cat # (5/8"-11 hub)	T5G Cat # (7/8" hub)	List Price
4" (9 seg)	94133	94134	\$91
4" (18 seg)	94127	94128	130
4-1/2" (9 seg)	94131	94132	101
4-1/2" (18 seg)	94129	94130	141
5" (14 seg)	09793	96471	146
7" (12 seg)	94135	94136	161
7" (24 seg)	94137	94138	236

Star Blue

- Spiral turbo for a fast grind

Star Blue Spiral Turbo Cup Grinders General grinding and removal with Good life		
SIZE	T5B Cat #	List Price
4" x 5/8-11 (10 seg)	00036	\$69
4" x 7/8 (10 seg)	63135	69
4-1/2" x 5/8-11(12 seg)	90079	87
4-1/2" x 7/8 (12 seg)	63136	87
5" x 5/8-11 (12 seg)	60853	117
5" x 7/8 (12 seg)	63140	117
7" x 5/8-11 (12 seg)	90193	130
7" x 7/8 (12 seg)	63137	130
7" x 5/8-11 (24 seg)	90359	144
7" x 7/8 (24 seg)	63139	144

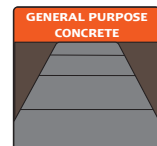
Imperial Purple

- Spiral turbo for a faster grind

Imperial Purple Spiral Turbo Cup Grinders Fast grinding and removal with Very Good life		
SIZE	T5I CAT #	List Price
4" x 5/8-11 (12 seg)	16074	\$132
5" x 5/8-11 (16 seg)	60151	193
7" x 5/8-11 (18 seg)	16076	254



For use on right angle grinders



CUP GRINDERS



Standard Gold Spiral Turbo



Heavy Duty Orange Spiral Turbo



Premium Black Spiral Turbo



PCD Cup



Heavy Duty Dry Ring

Standard Gold

- General grinding and medium removal with better life
- Spiral turbo for fast, aggressive grinding

Standard Gold Spiral Turbo Cup Grinders			
SIZE	T5S Cat # (with 5/8"-11 hub)	T5S Cat # (with 7/8" hub)	List Price
4" (9 seg)	17846	23177	\$145
5" (12 seg)	19678	76901	192
7" (12 seg)	16410	17834	209
7" (24 seg)	15263	18641	311

Premium Black

- General grinding and heavier removal
- Spiral turbo for fast, aggressive grinding
- Highest quality diamond and longest grinding life

For use on Hilti® grinders.

Premium Black Spiral Turbo Competition Style		
SIZE	T5P Cat #	List Price
6" (14 seg) with special 3/4" arbor	22537	\$451
6" (14 seg) with 5/8-11 hub	43715	451

Hilti® is a registered trademark of the Hilti® Corporation and is not affiliated with Diamond Products Limited.

Heavy Duty Orange

- General grinding and heavy removal
- Spiral turbo for fast, aggressive grinding
- Very high quality diamond and longer grinding life

Heavy Duty Orange Spiral Turbo Cup Grinders			
SIZE	T5H Cat # (with 5/8"-11 hub)	T5H Cat # (with 7/8" hub)	List Price
4" (9 seg)	17943	20710	\$152
5" (12 seg)	69357	78871	200
7" (12 seg)	15095	18155	215
7" (24 seg)	15096	18396	316

Dry Ring Cup Grinders

- 3 bonds to fit your application
- **Fine grit**-smoothest finish
- **Medium grit**-basic grinding and removal
- **Coarse grit**-heavy aggressive removal

Heavy Duty Dry Ring Cup Grinders				
SIZE	GRIT	BOND	Cat #	List Price
4" x 7/8"	Fine	KT5HF	35645	\$167
4" x 7/8"	Medium	KT5HM	26060	167
4" x 7/8"	Coarse	KT5HC	23329	167
4" x 5/8-11	Fine	KT5HF	19546	167
4" x 5/8-11	Medium	KT5HM	17539	167
4" x 5/8-11	Coarse	KT5HC	23051	167
7" x 5/8-11	Coarse	KT5HC	23154	299
7" x 7/8"	Coarse	KT5HC	31547	299



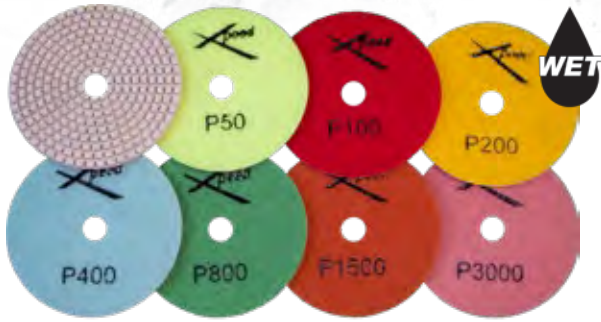
PCD Cup Grinders

- Polycrystalline Diamond allows aggressive removal of glue/epoxy and grout

PCD Cup Grinders			
SIZE	CAT #	Application	List Price
4-1/2" x 5/8-11	14986	General Purpose epoxy removal	\$335
7" x 5/8-11	21715	General Purpose epoxy removal	419

Standard Gold and Heavy Duty Orange also available with special tall hubs

7 Steps to an Ultra-Smooth, High Sheen Finish!
For Use on Most Standard Concrete Polishing Machines



Premium Wet Polishing Pads

- Resin bonded pads for high sheen concrete polishing
- Ultra-smooth finish
- High strength velcro back for worry-free finishing

4" Premium WET Polishing Pads			
Grit	Part #	Cat #	List Price
50	DCP043050	68436	\$26
100	DCP0430100	68439	26
200	DCP0430200	68440	26
400	DCP0430400	68441	26
800	DCP0430800	68442	26
1500	DCP04301500	68480	26
3000	DCP04303000	68487	26



Premium Dry Polishing Pads

- Resin bonded pads for high sheen concrete polishing
- Ultra-smooth finish
- High strength velcro back for worry-free finishing

4" Premium DRY Polishing Pads			
Grit	Part #	Cat #	List Price
50	DCPD0450	68509	\$29
100	DCPD04100	68510	29
200	DCPD04200	68516	29
400	DCPD04400	68529	29
800	DCPD04800	68530	29
1500	DCPD041500	68536	29
3000	DCPD043000	68545	29



Premium Wet Polishing Pads

- Resin bonded pads for high sheen concrete polishing
- 3" for hand-held polishing machines
- High strength velcro back for worry-free finishing

3" x 10mm Floor Polishing Pucks			
Grit	Part #	Cat #	List Price
50	DCP031050	68657	\$54
100	DCP0310100	68579	54
200	DCP0310200	68762	54
400	DCP0310400	68763	54
800	DCP0310800	68863	54
1500	DCP03101500	68881	54
3000	DCP03103000	68911	54



3-Step Polishing Pucks

- Used in three phases for a beautiful shine
- 3" for hand-held polishing machines
- High strength velcro back for worry-free finishing

3" (3-STEP) Floor Polishing Pucks			
STEP	Part #	Cat #	List Price
#0	DCP03100	68934	\$58
#1	DCP03101	68942	58
#2	DCP03102	68951	58
#3	DCP03103	68989	58
#3 Extra Shine	DCP03103X	69006	58

Backer Pads			
Size	Part #	Cat #	List Price
3"	BPV4000	75461	\$11
5"	BPV5000	75462	14

DIAMOND GRINDING



Diamond Segmented Grinding Shoes

- Good diamond quality for aggressive removal
- Used in sets of three and available in single or double segments
- For use on floor grinding heads on walk behind machines

SINGLE Segment Grinding Shoe SOFT Concrete			
Grit	Part #	Cat #	List Price
25	GSS1025	69022	\$55
40	GSS1040	69102	55
80	GSS1080	69191	55
150	GSS1150	69193	55
DOUBLE Segment Grinding Shoe SOFT Concrete			
25	GSD1025	69345	\$75
40	GSD1040	69391	75
80	GSD1080	69409	75
150	GSD1150	69426	75

SINGLE Segment Grinding Shoe MEDIUM Concrete			
Grit	Part #	Cat #	List Price
16	GMS2016	69429	\$55
25	GMS2025	69462	55
40	GMS2040	70169	55
80	GMS2080	69818	55
150	GMS2150	70241	55
DOUBLE Segment Grinding Shoe MEDIUM Concrete			
25	GMD2025	70249	\$75
40	GMD2040	70610	75
80	GMD2080	70810	75
150	GMD2150	71021	75

SINGLE Segment Grinding Shoe HARD Concrete			
Grit	Part #	Cat #	List Price
16	GHS3016	72964	\$55
25	GHS3025	73820	55
40	GHS3040	75563	55
80	GHS3080	76449	55
150	GHS3150	78256	55
DOUBLE Segment Grinding Shoe HARD Concrete			
16	GHD3016	78463	\$75
25	GHD3025	81425	75
40	GHD3040	88918	75
80	GHD3080	91174	75
150	GHD3150	92798	75

SINGLE Segment Grinding Shoe EXTREMELY HARD Concrete			
Grit	Part #	Cat #	List Price
25	GXS4025	00164	\$55
40	GXS4040	03180	55
80	GXS4080	12390	55
150	GXS4150	16201	55
DOUBLE Segment Grinding Shoe EXTREMELY HARD Concrete			
25	GXD4025	25839	\$75
40	GXD4040	30043	75
80	GXD4080	30309	75
150	GXD4150	30485	75



Metal Transition Grinding Pucks

- Good quality diamond for long life grinding
- Used for a smooth grind before polish
- Available in two grits

3" METAL Floor Grinding Pucks			
Grit	Part #	Cat #	List Price
80	CGMP0380	69012	\$84
120	CGMP03120	69014	84

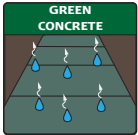


ARROW Segmented Cup Wheel

- Good quality diamond for long life grinding
- Used for grinding concrete before polish

ARROW Segmented Cup Wheel for Floor Finishing			
SIZE	Part #	T5A Cat#	List Price
4" x 5/8-11	CGA4000	64783	\$128
5" x 5/8-11	CGA5000	65010	172
7" x 5/8-11	CGA7000	65085	293

BASIC FIRST-CUT™ BLADES



**FOR USE ON
FIRST-CUT™ OR
COMPETITOR
SAWS**



BASIC - GOOD QUALITY, LONG LIFE - Individual Blades - No Skid Plate

SIZE	BASIC1000 Cat #	BASIC2000 Cat #	BASIC3000 Cat #	BASIC4000 Cat #	BASIC5000 Cat #	BASIC6000 Cat #	LIST PRICE
4" x .080	70113	70114	70116	70117	70119	70120	\$79
6" x .100	63013	40544	40546	40547	63014	63016	141
8" x .100	63056	42938	42939	42943	63058	63063	226
8" x .125	63365	63371	63372	63373	63380	63381	246
10" x .110	63382	46593	46596	46599	63384	63388	315
10" x .250	63389	63390	63392	63396	63397	63404	529
12" x .125	63413	44970	44971	44974	63415	63416	388
12" x .250	63417	63419	63420	63421	63422	63423	638
13.5" x .125	63426	63427	63428	63429	63430	63437	428
13.5" x .250	63440	63441	63442	63446	63447	63449	764
14" x .125	63450	44976	44977	44978	63458	63464	473
14" x .250	63465	63466	63467	63468	63469	63470	768

**Packaged
with
Skid
Plate**



BASIC - GOOD QUALITY, LONG LIFE - with Skid Plate

SIZE	BASIC1000 Cat #	BASIC2000 Cat #	BASIC3000 Cat #	BASIC4000 Cat #	BASIC5000 Cat #	BASIC6000 Cat #	LIST PRICE
6" x .100*	64125	64132	64133	64134	64135	64136	\$169
8" x .100	64163	64166	64167	64185	64206	64207	254
8" x .125	64234	64235	64236	64237	64238	64242	274
10" x .110	64271	64273	64274	64275	64276	64282	350
10" x .250	64335	64338	64341	64344	64345	64348	616
12" x .125	64376	64378	64379	64384	64387	64388	431
12" x .250	64439	64441	64442	64443	64447	64448	734
13.5" x .125	64471	64473	64474	64479	64482	64485	471
13.5" x .250	64516	64518	64522	64526	64528	64530	860
14" x .125+	64546	64547	64550	64552	64553	64555	532
14" x .250+	64573	64579	64580	64581	64582	64583	867

* For use on the First-Cut CC150XL-EE saw. + For use on the First-Cut CC190PRO-EE saw.



Includes 1" arbor with drive-pin hole and triangle knock-out

Consider the aggregate in your area and cure time before determining the bond specification

Color codes **do not** refer to the aggregate map color codes found at the front of this book..

SPECIFICATIONS

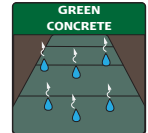
Specification	Aggregate
1000-Purple	Very Hard
2000-Green	Hard
3000-Red	Medium Hard
4000-Orange	Medium
5000-Yellow	Medium Soft
6000-Black	Soft

EXPERT FIRST-CUT™ BLADES



EXPERT - VERY HIGH QUALITY, LONGER LIFE - Individual Blades - No Skid Plate

SIZE	EXPERT1000 Cat #	EXPERT2000 Cat #	EXPERT3000 Cat #	EXPERT4000 Cat #	EXPERT5000 Cat #	EXPERT6000 Cat #	LIST PRICE
6" x .095	66117	67330	57526	68407	69019	56798	\$175
8" x .100	67332	67331	68352	68328	68380	68331	272
8" x .125	68511	68531	57532	68520	61769	56800	385
10" x .110	68782	67318	55816	68498	51150	56801	385
10" x .250	69815	68432	68335	68417	68381	68418	812
12" x .125	67326	67325	57524	68512	90673	52597	463
12" x .250	70590	68507	68590	68515	68475	70118	932
13.5" x .125	68438	67329	67898	69554	68378	69690	524
13.5" x .250	69159	70166	69328	69853	68434	68384	1,069
14" x .125	68394	68392	57525	68518	51156	51177	583
14" x .250	68521	70559	68526	68469	68351	69770	1,126



FOR USE ON
FIRST-CUT™ OR
COMPETITOR
SAWS



EXPERT - VERY HIGH QUALITY, LONGER LIFE - with Skid Plate

SIZE	EXPERT1000 Cat #	EXPERT2000 Cat #	EXPERT3000 Cat #	EXPERT4000 Cat #	EXPERT5000 Cat #	EXPERT6000 Cat #	LIST PRICE
6" x .095*	64145	64147	64149	64150	64155	64156	\$203
8" x .100	64208	64210	64212	64216	64217	64218	300
8" x .125	64244	64246	64248	64254	64255	64260	413
10" x .110	64288	64289	64290	64293	64296	64298	420
10" x .250	64349	64351	64353	64357	64359	64361	899
12" x .125	64389	64390	64402	64417	64418	64419	506
12" x .250	64449	64451	64452	64453	64458	64460	1,028
13.5" x .125	64488	64489	64493	64494	64495	64498	567
13.5" x .250	64532	64533	64535	64541	64543	64544	1,165
14" x .125+	64557	64558	64559	64561	64562	64566	642
14" x .250+	64584	64585	64590	64597	64598	64599	1,225



Packaged
with
Skid
Plate

* For use on the First-Cut CC150XL-EE saw. + For use on the First-Cut CC190PRO-EE saw.

SPECIFICATIONS

Specification	Aggregate
1000-Purple	Very Hard
2000-Green	Hard
3000-Red	Medium Hard
4000-Orange	Medium
5000-Yellow	Medium Soft
6000-Black	Soft

Consider the aggregate in your area and cure time before determining the bond specification

Color codes **do not** refer to the aggregate map color codes found at the front of this book..

Joint Protectors

- (50 per bag)
- 2" long x 1/2" wide x 1/8" thick
- Used when making cross-cuts in green concrete



Part #	Cat #	LIST PRICE
JOINTPRO-50	17145	\$11

SKID PLATES



All Diamond Products Skid Plates Fit All Soff-Cut® Saws.

Only 6" and 14" Skid Plates Will Fit Diamond Products Saws.

Skid Plate Features

- Stainless steel construction
- 1/8" thick bottom plate allows skid to be used for 2-3 blades before requiring replacement depending on the abrasive properties of the aggregate and the diameter of the blade
- Steel mounting pins that won't break or fail like some cast aluminum competitor mounts
- Mounted with a locking pin to keep the plate in place
- Fits both steel and cast skid plate saws



ALWAYS CHECK SKID PLATE BEFORE SAWING!

Look for wear at these highlighted areas on the bottom side of the skid plate. If the slot is no longer a straight line, you must replace the skid plate. This wear is typically seen every 2 to 3 blade lives depending on the aggregate type.

When Used with Hard Aggregate:

Blades in hard aggregate have shorter life so the skid plate will last longer. This holds true for diamond blades. They wear out faster, which leads to less skid plates being needed due to less abrasion wearing on the steel skid plate.

When Used with Soft Aggregate:

Blades in soft aggregate last longer so the skid plates wear out with fewer blades. Blades specifications for soft aggregate are typically hard, which results in more skids plates being needed due to more abrasion on the steel skid plate.

SKID PLATES-FOR .125 & .250 THICK BLADES

Description	.125 Part #	.125 Cat #	LIST PRICE	.250" Part #	.250" Cat #	LIST PRICE
Skid Plate for 6" and 8" Blades	2505236*+	40029	\$29	6011520*+	51726	\$82
Skid Plate for 10" Blades	2505237+	40038	36	6011523+	56358	90
Skid Plate for 12" and 13.5" Blades	2505238+	40039	44	6011526+	56636	99
Skid Plate for 14" Blades	2505239*+	42936	61	2505274*+	85782	84

* For use on Core Cut saws. + For use on competition style saw.

Skid plates for .375" and .500" thick blades available upon request.

Soff-Cut® is a registered trademark of Husqvarna AB (publ) and is in no way affiliated with Diamond Products Limited.

TRUE EARLY ENTRY™ SYSTEM



TRUE EARLY ENTRY™ System Components:

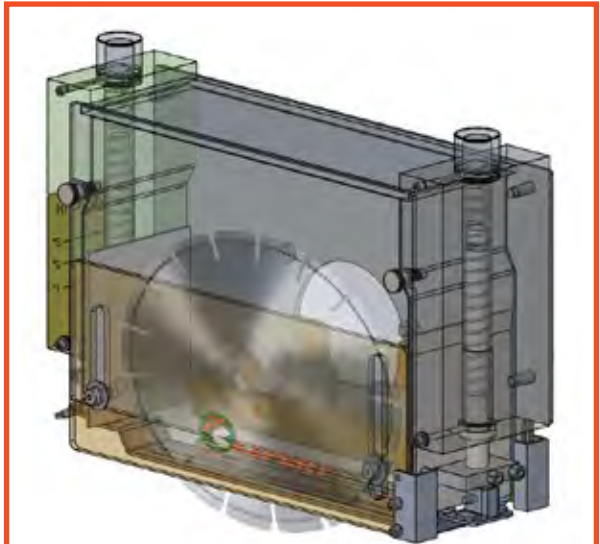
- First-Cut™ blade (3 quality grades-Basic, Expert, Ultra)
- First-Cut™ saw with skid plate guard system
- Optimal Time of Cutting-Known as the **Control Zone™** (2 hours after finishing and before final set)

WHAT ARE TRUE EARLY ENTRY™ CONTROL/RELIEF JOINTS?

As concrete is placed and being finished, chemical reactions begin to take place causing the slab to increase in temperature. Stress, caused by shrinkage, begins to accumulate rapidly. At this time the concrete is looking for relief. If not relieved in a timely manner the concrete will relieve itself, resulting in random cracks appearing across the surface of the slab.

By placing **True Early Entry™** joints at the appropriate spacing (normally 10' to 12' apart) the concrete finds the relief its looking for and cracks directly beneath the cut.

The timing of **True Early Entry™** joints are critical! Controlling random cracking is all about the timing of the cut, not the depth of the cut. Cuts must be placed between the initial set and the final set of the concrete. This **CONTROL ZONE™** is the optimal cutting time to give concrete relief when it is looking for it the most.



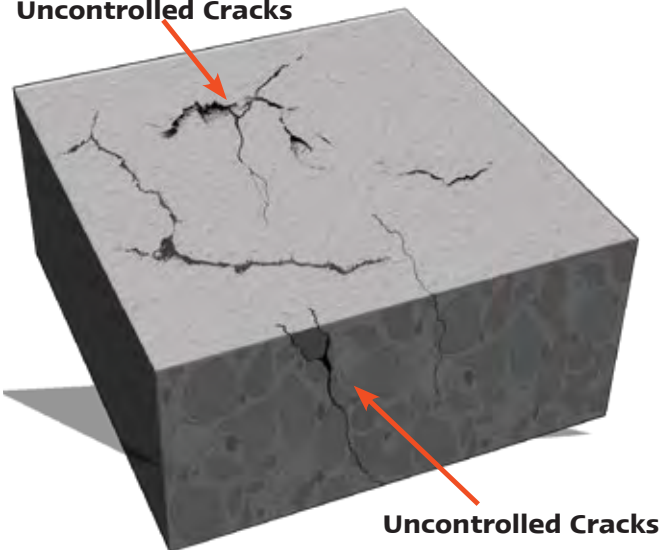
First-Cut™ Skid Plate Guard System

Our First-Cut saws utilize a skid plate guard system that protects concrete spalling during the cut. A spring-loaded skid plate holds it down and keeps aggregate from pulling out of the slab. The guard system is low-maintenance and heavy duty to withstand extended use on the job.



Why You Need to Use the True Early Entry™ System

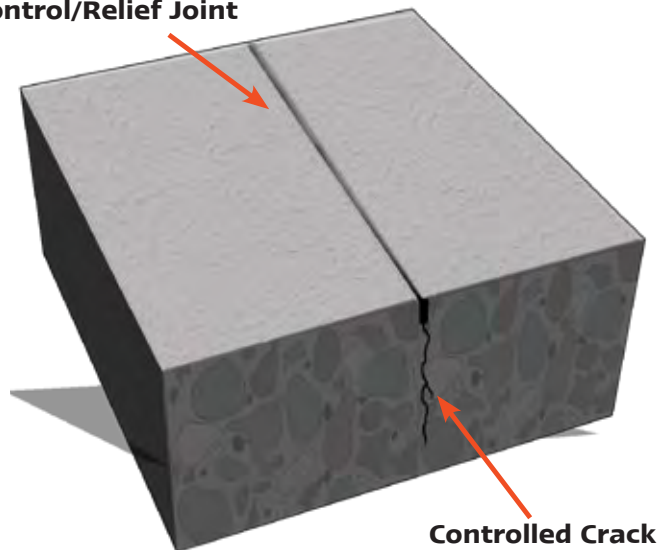
Uncontrolled Cracks



Concrete Without Control/Relief Joint

Without a control or relief joint made into the material, heat and cold aligned with curing can cause expanding and contracting of the concrete, creating uncontrolled cracks throughout. Those cracks will eventually create ruptures and sections that can pull apart from the rest of the material.

Control/Relief Joint



Concrete With Control/Relief Joint

Making a controlled cut in the concrete **CONTROLS** where the cracks appear. When this procedure is done in determined spaced sections, the damage and cracking is kept at a minimum which prolongs the life of the concrete slab.

DRY WALK BEHIND BLADES



DRY WALK BEHIND BLADES

- All dry walk behind blades include a drive pin hole
- For intermittent cuts without water for patch/repair work or expansion joints
- Laser welded for dry cutting

Delux-Cut Dry Walk Behind

Basic quality diamond and economical cutting value

SIZE	DC1D Cat #	DA2D Cat #	List Price
12" x .125 x 1"	20806	20861	\$147
14" x .125 x 1"	20825	20875	190

Star Blue Dry Walk Behind

Good quality diamond and good cutting value

SIZE	DC1B Cat #	DA2B Cat #	List Price
12" x .125 x 1"	70424	70412	\$183
14" x .125 x 1"	70426	70422	237
18" x .125 x 1"	83679	83678	387

Standard Gold Dry Walk Behind

Better quality diamond and better cutting value

SIZE	DC1S Cat #	DA2S Cat #	DG3S Cat #	List Price
12" x .125 x 1"	11208	11189	11219	\$429
12" x .187 x 1"	27278	14702	---	607
14" x .125 x 1"	11210	11190	11222	559
14" x .187 x 1"	11211	11191	---	816
18" x .125 x 1"	50004	50002	---	818
20" x .125 x 1"	17457	14917	---	823

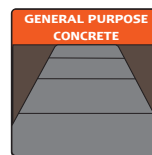
Imperial Purple Dry Walk Behind

Better quality diamond and very good cutting life

SIZE	DC1I Cat #	List Price
12" x .110 x 1"	89306	\$460
14" x .125 x 1"	73080	590



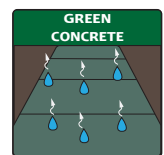
For use on low horsepower (< 20HP) walk behind saws



DC1D
DC1B
DC1S
DC1I



DA2D
DA2B
DA2S



DG3S



Dry blades are cooled with air by using intermittent cutting.
Dry blades can be used with water.

DRY WALK BEHIND BLADES



Heavy Duty Orange Dry Walk Behind Very high quality diamond and Longer blade life				
SIZE	DC1H Cat #	DA2H Cat #	DG3H Cat #	List Price
12" x .125 x 1"	11196	11156	11213	\$575
12" x .187 x 1"	11197	11158	50718	743
14" x .125 x 1"	11199	11162	11215	707
14" x .187 x 1"	11200	11170	19093	906
16" x .125 x 1"	15499	15334	35322	1,084
16" x .187 x 1"	30677	46464	---	938
18" x .125 x 1"	11203	11174	44588	1,039
20" x .125 x 1"	60330	44475	---	1,009

Premium Black Dry Walk Behind Highest quality diamond and Longest blade life				
SIZE	DC1P Cat #	DA2P Cat #	DG3P Cat #	List Price
12" x .125 x 1"	11204	11175	11217	\$722
12" x .187 x 1"	11205	15954	24109	969
14" x .125 x 1"	11206	11178	11218	888
14" x .187 x 1"	11207	11183	77223	1,199
16" x .125 x 1"	16585	63018	70883	980
16" x .187 x 1"	42715	---	---	1,667
18" x .125 x 1"	14582	34477	25607	998
20" x .125 x 1"	55061	60631	---	1,347

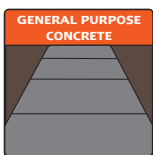
Wide gullets to keep the blade cool

.125" Blades can be used on high speed saws

V-Gullets allow less surface-to-surface contact and helps keep the blade cool in dry applications.



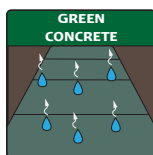
For use on low horsepower (< 20HP) walk behind saws



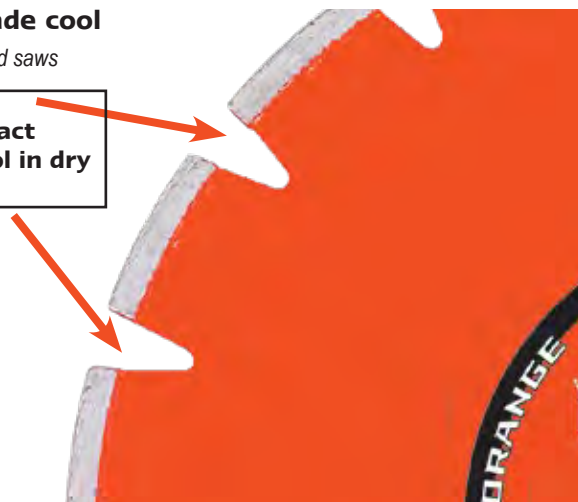
DC1H
DC1P



DA2H
DA2P

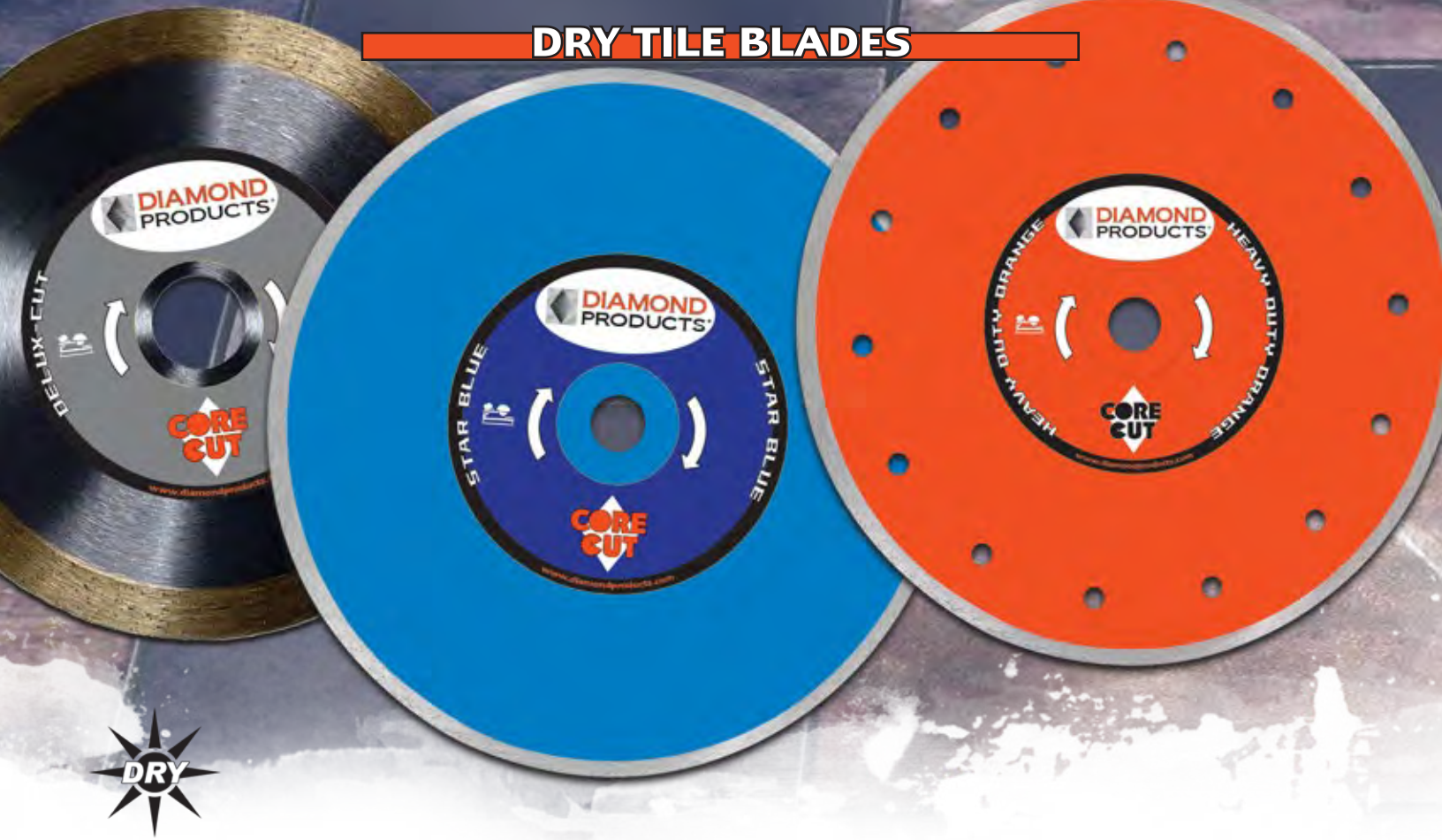


DG3H
DG3P



- All dry walk behind blades include a drive pin hole
- For intermittent cuts without water for patch/repair work or expansion joints
- Laser welded for dry cutting

DRY TILE BLADES



Delux-Cut

- Basic quality diamond and economical cutting value

Star Blue

- Good quality diamond and good cutting value

Heavy Duty Orange

- Very high quality diamond and longer cutting life

Delux-Cut Dry Tile		
SIZE	TD2D Cat #	List Price
*4" x .060 x 7/8"	20664	\$19
*4-1/2" x .060 x 7/8"	20675	22
*5" x .060 x 7/8"	20681	29
*6" x .060 x 7/8"	20716	39
**7" x .060 x 5/8"	20721	50
8" x .060 x 5/8"	20733	63
□9" x .060 x 1"	68466	61
10" x .060 x 5/8"	20751	66
Delux-Cut 5-Packs		
*4" x .060 x 7/8"	20768	\$91
**7" x .060 x 5/8"	20769	240

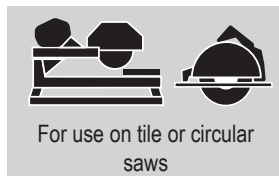
Star Blue Dry Tile		
SIZE	TD2B Cat #	List Price
*4" x .060 x 7/8"	80012	\$24
*5" x .060 x 7/8"	80013	35
**7" x .060 x 5/8"	80014	63
8" x .060 x 5/8"	80015	75
□9" x .060 x 1"	68467	78
10" x .060 x 5/8"	80016	84
Star Blue 5-Packs		
*4" x .060 x 7/8"	80017	\$115
**7" x .060 x 5/8"	80018	302

Heavy Duty Orange Dry Tile		
SIZE	TD2H Cat #	List Price
*4" x .060 x 7/8"	12508	\$78
*5" x .060 x 7/8"	12510	97
*6" x .060 x 7/8"	12512	107
**7" x .060 x 5/8"	12515	123
8" x .060 x 5/8"	12517	146
10" x .060 x 5/8"	12519	157
Heavy Duty Orange 5-Packs		
*4" x .060 x 7/8"	55221	\$374
**7" x .060 x 5/8"	55222	590

*Denotes 7/8" arbor with 5/8" bushing.

**Denotes diamond arbor with 5/8" (removable) bushing

★ 1" arbor with removable 5/8" bushing



TD2D
TD2B
TD2H



Tile Sharpening Stone

Part #	Cat #	List Price
SS1000	48960	\$71

WET TILE BLADES



Standard Gold

- Better quality diamond and better cutting value

Heavy Duty Orange

- Very high quality diamond and longer cutting life

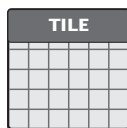
Premium Black

- Highest quality diamond and longest cutting life

Standard Gold Wet Tile			
SIZE	T17S Cat #	T110S Cat #	List Price
3-3/8" x .050 x 5/8"	45233	---	\$40
4" x .060 x 5/8"	12374	87701	49
6" x .060 x 5/8"	12375	87702	62
7" x .060 x 5/8"	45234	87703	66
8" x .060 x 5/8"	12377	87704	78
9" x .060 x 5/8"	45235	87705	89
10" x .060 x 5/8"	12379	87706	100
12" x .080 x 1"	45236	87707	153
14" x .080 x 1"	13522	87708	198

Heavy Duty Orange Wet Tile			
SIZE	T17H Cat #	T110H Cat #	List Price
4" x .060 x 5/8"	58059	87709	\$62
4-1/2" x .060 x 5/8"	87835	12343	65
4-1/2" x .060 x 20mm	96903	---	65
6" x .060 x 5/8"	12346	87710	74
7" x .060 x 5/8"	57855	87711	91
8" x .060 x 5/8"	12352	87712	102
9" x .060 x 5/8"	12355	87713	117
10" x .060 x 5/8"	12359	87714	124
12" x .080 x 1"	13512	87715	174
14" x .080 x 1"	23838	87716	248

Premium Black Wet Tile			
SIZE	T17P Cat #	T110P Cat #	List Price
4" x .060 x 5/8"	12361	87717	\$80
6" x .060 x 5/8"	12362	87718	95
7" x .060 x 5/8"	45553	87719	112
8" x .060 x 5/8"	12364	87720	123
9" x .060 x 5/8"	87725	87721	140
10" x .060 x 5/8"	12368	87722	156
12" x .080 x 1"	12369	87723	253
14" x .080 x 1"	12370	87724	294



T17S
T17H
T17P

T17- Fast, smooth cut in granite, marble, glass, porcelain and other hard, dense tiles.



T110S
T110H
T110P

T110- Fast cutting in ceramic or fiberglass and other soft, porous tiles.

TILE SAWS

CC600T



7" Tile Blade
Included

7" Capacity (5/8" arbor)

Electric

Features & Benefits:

- 1-3/4" maximum cutting depth
- Easy to clean water tray
- Liquid cooled bearing housing
- Rip cut up to 17", diagonal cut to 12"
- Includes 45° and 90° rip guide/miter block
- Automatic thermal overload protection prevents power surges and overheating
- 1 HP carbon brush motor gives 6,000 RPM at the blade shaft

CC912TS



9" Tile Blade Included

1" Arbor

9" Capacity (1" arbor)

Electric

Features & Benefits:

- 800 watt, 120 volt single phase electric motor
- Maximum cutting depth of 1-7/8"
- Heavy duty table with measuring guide
- Angle guide plate holds the work piece at various angles
- Easily-adjustable cutting guide remains parallel at all times
- Easy mounting water tray
- Safety relay switch
- Quick-release, tool-free table mount release for easy cleaning and blade replacement
- Easy adjustment miter - up to 45 degrees with 1-7/16" depth
- Includes parallel cutting guide, angle guide plate, M8 combo wrench and M19 combo wrench

CC600T & CC900TE

CC600T TILE SAW

Model #	Motor Make	Motor Power	Power Source	Part #	Cat #	Blade Capacity	Product Weight (lbs)	Dimensions	List Price
CC600T	Baldor*	1 HP	Electric	5800558PKG	65019	7"	43	33"L x 20"W x 16"H	\$746

CC912TS TILE SAW

Model #	Motor Make	Motor Power	Power Source	Part #	Cat #	Blade Capacity	Product Weight (lbs)	Dimensions	List Price
CC912TS	Baldor*	3/4 HP	Electric	5801608PKG	79575	9"	34	26"L x 21"W x 13"H	\$618



Miter Block

Included with CC600T tile saws



180° Angle Guide
For CC1000T tile saws



45°/90° Rip Guide
For CC900TE tile saws



Water Pump

Included with all table top tile saws
(2.5 gpm)

TILE SAWS

CC900TE ECONOMY TILE SAW



10" Tile Blade
Included

CC1000T SUPER DUTY TILE SAW



10" Tile Blade
Included

10" Capacity (5/8" arbor)

Electric

Features & Benefits:

- 3-3/4" cutting depth
- 1-1/2 HP, 15amp, 115V high torque motor
- Rip cut up to 20", diagonal cut to 14"
- Plastic tray can be removed for cleaning
- Replaceable liquid cooled bearing housing
- Blade guard includes brush for additional blade cooling protection and over spray
- Includes 45° and 90° rip guide/miter block

10" Capacity (5/8" arbor)

Electric

Features & Benefits:

- 3-3/4" cutting depth
- 1-1/2 HP, 15amp, 115V high torque motor
- Rip cut up to 24", diagonal cut to 18"
- Rigid, heavy duty steel frame
- Replaceable liquid cooled bearing housing
- Cutting tray/cart uses ball bearing wheels for smooth movement and accurate cutting
- Blade guard includes brush for additional blade cooling protection and over spray
- Includes 45° and 90° rip guide/miter block

CC900TE TILE SAW

Model #	Motor Make	Motor Power	Power Source	Part #	Cat #	Blade Capacity	Product Weight (lbs)	Dimensions	List Price
CC900TE	Baldor®	1-1/2 HP	Electric	5800559PKG	65020	10"	98	39"L x 24"W x 24"H	\$1,309

CC1000T TILE SAW

Model #	Motor Make	Motor Power	Power Source	Part #	Cat #	Blade Capacity	Product Weight (lbs.)	Dimensions	List Price
CC1000T	Baldor®	1-1/2 HP	Electric	5800572PKG	72483	10"	115	43"L x 26"W x 24"H	\$1,441

TILE SAW ACCESSORIES & OPTIONS

Description	Part #	Cat #	List Price
Water Pump	6030060	46817	\$101
45°/90° Rip Guide	6043002	57689	46
180° Angle Guide	6043004	57691	83
Miter Block CC900TE & CC1000T	6043043	60885	136
Miter Block CC600T	6043096	81771	83
Optional Folding Stand for CC600T	6043383	80419	204
Optional Folding Stand with Wheels	6043528	03734	247



Optional Folding Stand with Wheels

Scissor stand that fits
the CC900TE, & CC1000T tile saws

CC1000T Tile Saw

DS3011 HAND POLISHER



12" Grinding Width

CORE PROP™

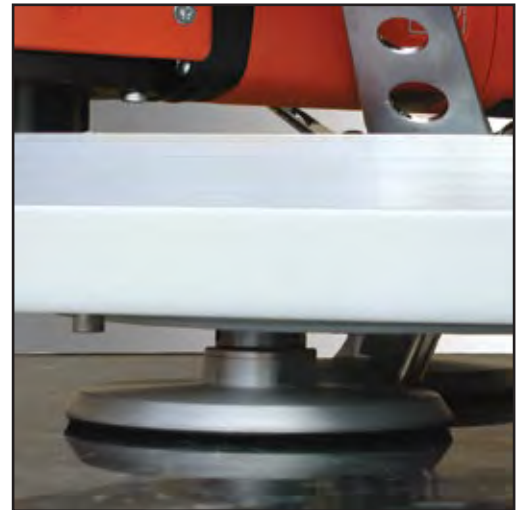
Floor Preparation Products

5" Pad Capacity

Electric

Features & Benefits:

- Uses three 5" diamond polishing pads and/or diamond grinding discs
- Planetary, gear driven system
- Powered by a heavy duty FEIN® variable speed motor
- Center coolant feed
- Precision bearings
- Heavy duty handles and body
- Built-in vacuum port
- Rugged, hand-operated 12" platform that grinds, hones and polishes concrete surfaces
- Operates wet or dry (with optional dust cowl)
- 12" platform turns at a lower rate than the higher rotational speed (>2000rpm) of the 5" platens
- The RPM provides the optimal speed for diamond polishing, producing a perfect finish 5 times faster than a single head polisher



One of three 5" grinding platens (Velcro® surface)

DS3011 SPECIFICATIONS	
Power Supply	115V/60Hz
Motor Power	2 HP
Amp Draw	11 amp, uses 20amp breaker
RPM	2500
Includes	Slurry skirt, coolant feed

DS3011 HAND POLISHER							
Model #	Motor Power	Power Source	Part #	Cat #	Pad Capacity	Product Weight (lbs.)	List Price
DS3011	115 V, 11 amp	Electric	5801328	32947	5" x 3	30	\$4,014

DS3011 POLISHER

CC300M MASONRY SAW



14" Capacity

Electric

Features/Benefits:

- The most cost-efficient way to cut masonry
- Cuts 5" deep with 14" blade
- Powerful 2 HP electric motor
- Durable frame design
- Tool-free air filter replacement
- Longer motor life due to a superior foam air filter
- Includes 2 spare air filters
- Smooth sliding material cutting table
- Cutting head is pulled down into the material

CC300M SPECIFICATIONS

Power Supply	115V/60Hz
Motor Power	2 HP
Amp Draw	15 amp
RPM	3600
Max. Depth of Cut	5"
Max. Length of Cut	16"
Material Capacity	8" x 8" x 16"
Saw Height	24" without stand
Saw Length	28"
Saw Width	23"

CC300M OPTIONS

Description	Part #	Cat #	List Price
Folding Stand for CC300M	6043056	84808	\$199
Wet Cut Kit for CC300M	6043058	90644	392
Rip Guide	6043002	57689	46
180° Adjustable Angle Guide	6043004	57691	83

CC300M ELECTRIC MASONRY SAW

Model #	Motor Power	Part #	Cat #	Blade Capacity	Product Weight (lbs.)	List Price
CC300M	2 HP-115 Volt 15 amp	5800730	84807	14"	85	\$1,221

CC300M

CC500MXL2 MASONRY SAW



Blade not included

4-Leg Kit is Standard



MADE IN THE U.S.A.

Shown with optional folding stand

CC500MXL2

14" Capacity

Gasoline

Electric

Features & Benefits:

- Stay level blade guard
- Removable cutting head
- Leg kit standard-folding stand optional
- Side carrying handles
- Replaceable conveyor cart rails
- Includes water pump
- Vulcanized rubber coated material slide cart
- Easy and safe access to depth control lock
- Open back cutting allows longer material to be cut
- Heavy duty frame design help resist damage to saw body
- Reinforced slide rails keep the cart running smoothly
- Simple yet strong design allows easy maintenance
- Sealed drain hole on the bottom of the tray allows quick clean up

CC500MXL2 SPECIFICATIONS

Max. Depth of Cut	5"
Blade Shaft Diameter	7/8"
Arbor Diameter	1"
Blade Shaft Bearings	Flange block ball bearings
Blade Shaft Drive	2 belt
Blade Mounting	Right (electric), Left (gas)
Blade Raise/Lower	Counterbalanced, spring tensioned head pivots on two 7/8" flange block bearings
Blade Coolant	Dual spray tubes, pump fed (electric models), pump from tray (gas models)
Air Filter	3-stage cyclone (gas models)
Fuel Capacity	1 gallon (gas models)
High Temp Shut-off	Included (electric models)

Low Amperage on Electric Models:

- 1.5HP Model Standard Draw 13.4 Amp
- Perfect for House Power
- 2.0HP Model Standard Draw 15.8 Amp
- 2.5HP Model Standard Draw 21 Amp

CC500MXL2 MASONRY SAW

Model #	Motor/Engine Make	Motor/Engine Power	Power Source	Part #	Cat #	Blade Capacity	Product Weight (lbs)	List Price
CC515MXL2E1	Baldor®	1.5 HP-1PH-115/230V	Electric	5800799	03725	14"	215	\$2,498
CC520MXL2E1	Baldor®	2.0 HP-1PH 115/230V	Electric	5800814	08667	14"	227	2,552
CC525MXL2E1	Baldor®	2.5 HP-1PH-115/230V	Electric	5800801	03726	14"	228	2,787
CC548MHXL2	Honda® GX160	4.8 HP, 7.6 torque (lbs.-ft.)	Gas	5800803	03732	14"	220	3,490
CC565MBVXL2	Briggs & Stratton® Vanguard	6.5 HP	Gas	5801217	23961	14"	170	3,197
CC565MLXL2	Lifan® LF168F	6.5 HP	Gas	5801101	34008	14"	172	2,635

Horsepower and torque as rated by the engine manufacturer



Folding Stand



Folding Stand with Wheel Kit

CC500MXL2 OPTIONS

Description	Part #	Cat #	List Price
Folding Stand	2500839	46870	\$305
Folding Stand Upgrade*	6030042	46893	210
Folding Stand Wheel Kit	6030040	48547	102
Cord 50 ft. 12GA 115V 20A Twist to 15A Straight	4699100	47884	332
Cord 100 ft. 12GA 115 V 20A Twist to 15A Straight	4699101	48548	526

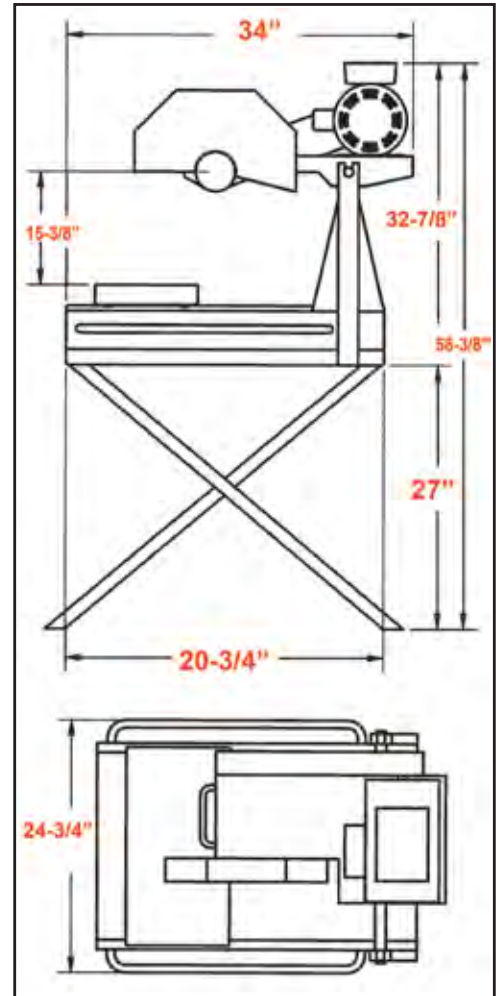
*Must be ordered with new saw to upgrade from the leg kit.



Removing the saw head is simple—just pull two locking pins and lift the head off of the frame. The cutting depth adjustment is on the side of the frame instead of the back.



The blade shaft and bearings are enclosed in a dust-free housing to ensure long bearing life. The blade shaft cover plate allows easy access for greasing the bearings. The flange block bearings make bearing replacement easy without the need for a hydraulic press or other special tools.



CC500MXL2



The stay-level blade guard provides the operator with safety and convenience while sawing. Our pivot mechanism resists slurry build-up, which could affect pivoting performance.

CC800M BLOCK SAW



Blade not included



MADE IN THE U.S.A.



Blade not included

24" Capacity

Gasoline

Electric

Features & Benefits:

- 24" blade cuts a 10" block in a single pass
- Variety of power options
- Stay level blade guard and enclosed blade shaft
- Replaceable cart travel rails
- Durable 3/16" steel frame
- Includes water pump
- Easy rolling 16" x 25" aluminum cutting cart/tray with vulcanized rubber coated non-slip top
- Large capacity, deep tapered water tray
- Foot pedal controlled operating head leaves the operators hands free to guide material
- Hand wheel for quick and easy blade cutting depth adjustment
- Enclosed cart wheels prevent damage
- Forklift opening for easy transport
- 2 V-belts promote efficient delivery of power to the blade
- Open back design for rip cutting longer materials
- Counterbalanced stay level blade guard assures the head is parallel to the cutting cart at all times

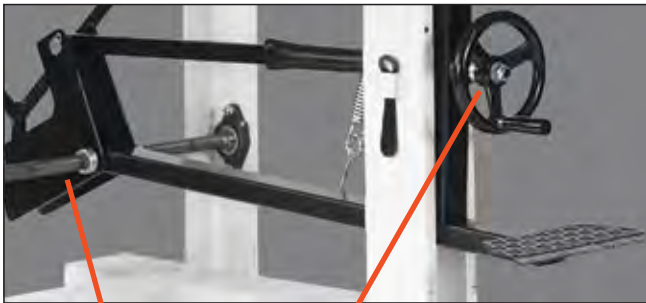
CC800M SPECIFICATIONS	
Max. Depth of Cut	8" with 20" blade, 10" with 24" blade
Arbor Diameter	1"
Blade Shaft Bearings	Flange block ball bearings
Blade Shaft Drive	2 premium grip-notch v-belts
Blade Raise/Lower	Counterbalanced, spring tensioned head pivots on two 1" flange block bearings
Blade Coolant	Dual spray tubes, pump fed (electric models), garden hose connection (gas models)
Air Filter	3-stage cyclone (gas models)
Fuel Capacitor	1 gallon (gas models)
High Temp Shut-Off	Included (electric models)
Starter	Recoil on gas models capacity on electric models

CC800M BLOCK SAW

Model #	Motor/Engine Make	Motor/Engine Power	Power Type	Part #	Cat #	Blade Capacity	Product Weight (lbs)	List Price
CC850ME1-20	Baldor®	5 HP-1PH, 230V	Electric	5800540	46820	20"	470	\$5,241
CC850ME3-20	Baldor®	5 HP-3PH, 230V	Electric	5800541A	96416	20"	460	5,366
CC850ME3-20	Baldor®	5 HP -3PH, 460V	Electric	5800541B	18533	20"	500	5,210
CC875ME1-20	Baldor®	7.5 HP-1PH, 230V	Electric	5800542	47664	20"	525	5,496
CC875ME3-20	Baldor®	7.5 HP-3PH, 230V	Electric	5800544A	96015	20"	510	5,624
CC875ME3-20	Baldor®	7.5 HP-3PH, 460V	Electric	5800544B	96336	20"	515	5,461
CC875ME1-24	Baldor®	7.5 HP-1PH, 230V	Electric	5800543	47630	24"	530	5,655
CC875ME3-24	Baldor®	7.5 HP-3PH, 230V	Electric	5800545A	97240	24"	505	5,787
CC875ME3-24	Baldor®	7.5 HP-3PH, 460V	Electric	5800545B	97000	24"	509	5,619
CC808MH-20	Honda® GX270	8 HP, 14.1 torque (lbs.-ft.)	Gas	5800546	47024	20"	460	5,779
CC809ML-20	Lifan® LF177F	9 HP	Gas	5801107	33971	20"	556	4,977
CC811MH-20	Honda® GX390	11 HP, 19.5 torque (lbs.-ft.)	Gas	5800547	47047	20"	485	6,098
CC811MH-24	Honda® GX390	11 HP, 19.5 torque (lbs.-ft.)	Gas	5800548	47046	24"	485	6,263
CC811MHE-20*	Honda® GX390	11 HP, 19.5 torque (lbs.-ft.)	Gas	5800566	60933	20"	515	7,262
CC811MHE-24*	Honda® GX390	11 HP, 19.5 torque (lbs.-ft.)	Gas	5800567	81160	24"	525	7,424

Horsepower as rated by the engine manufacturer.

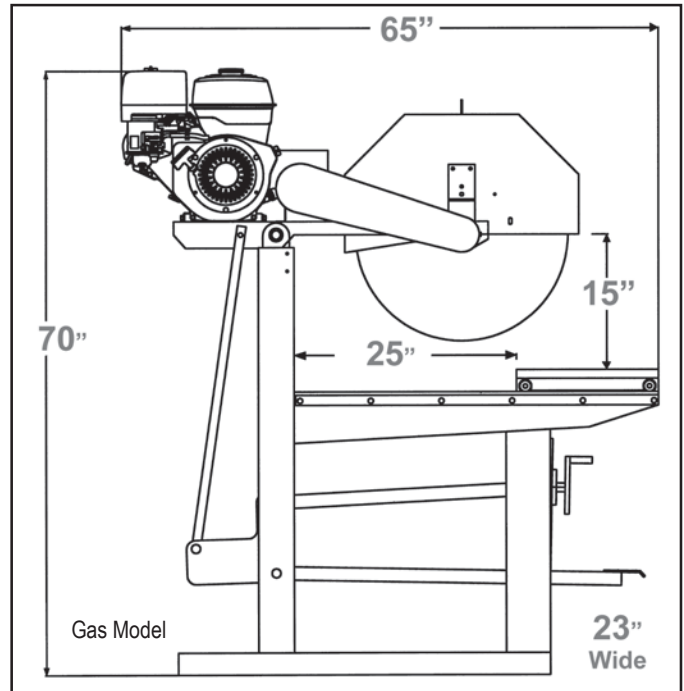
*Electric start



Pedal mechanism is spring loaded, giving you more control of your cut

Hand wheel makes it easy to adjust your cutting depth

Foot pedal leaves the operator's hands free which helps safety issues when cutting



CC800M Masonry Saw

We offer 20" and 24" masonry blades to maximize your productivity when using the CC800M or any of the other masonry saw models.

CC80E LOW PROFILE FLOOR GRINDER



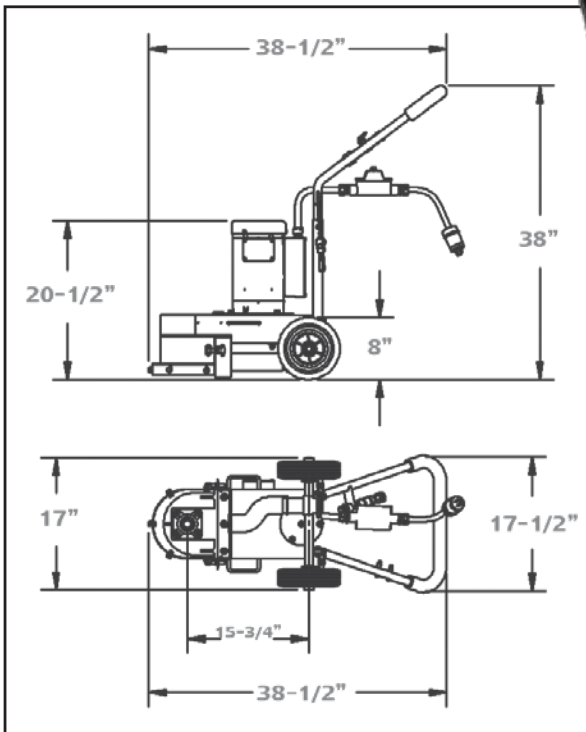
Low profile for hard to reach areas



Adjustable rear axle and heavy duty steel frame



CC80E Floor Grinder



8" Head Capacity

Electric

Features & Benefits:

- 2 HP Baldor-1PH, 115V, 16 amp motor
- Remove paint, epoxy and rough spots
- Easy to maneuver push drive
- Slurry skirt keeps the machine on the grinding surface
- 2800 rpm grinding head speed
- Includes 50ft, 12 gauge extension cord



8" Heavy Duty Orange grinding head included (Cat # 03330)

CC80E SINGLE HEAD LOW PROFILE FLOOR GRINDER

Model #	Engine/Motor Type	Part #	Cat #	Head Capacity	Product Weight (lbs.)	List Price
CC82E1-8	2HP-1PH-*115V or 230V Baldor® Electric	5800989PKG	15072	8"	120	\$3,200

* Must specify 115V or 230V when ordering

CC100 SINGLE HEAD FLOOR GRINDER

Grinds, cleans, levels,
and smooths bumps and
uneven areas quickly



MADE IN THE
U.S.A.

CC110H



CC175E

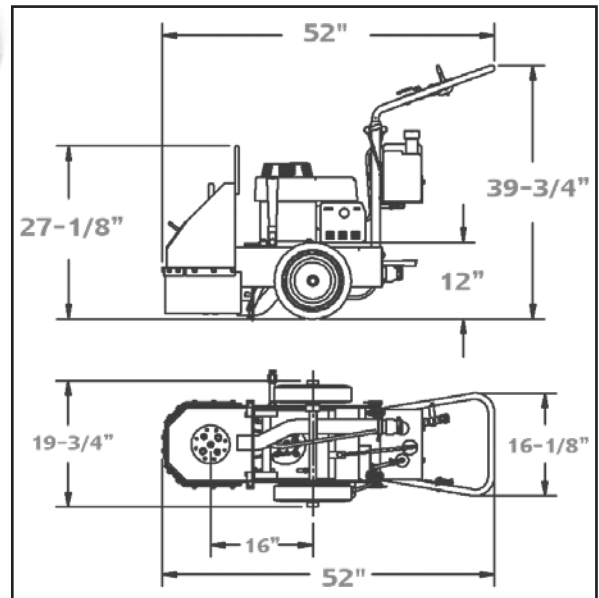


CC114HY

10"/12" Head Capacity / Gasoline / Electric / Propane

Features & Benefits:

- Remote throttle
- 2" dust port opening
- Single grease point
- Steel box frame
- Adjustable operator handles
- Lifting handles
- Adjustable wheel location for added grinding strength
- Variety of power options: gas, electric, hydraulic or propane fitting
- Single head for fast, aggressive grinding
- Greasing points are easily accessible
- Electric models include starter box



CC100 Floor Grinder

CC100 SINGLE HEAD FLOOR GRINDER

Model #	Engine/Motor Make	Engine/Motor Power	Power Source	Part #	Cat #	Head Capacity	Product Weight (lbs)	List Price
CC102E1	Baldor®	2 HP-1PH, 115V or 230V	Electric	5800539	48551	10"/12"	370	\$3,738
CC110H	Honda® GXV390	10.2 HP	Gas	5800527	47385	10"/12"	320	4,342
CC175E1	Baldor®	7.5 HP-1PH, 230V	Electric	5800529	48552	10"/12"	355	5,664
CC175E3	Baldor®	7.5 HP-3PH, 230V	Electric	5800530A	95042	10"/12"	370	4,931
CC175E3	Baldor®	7.5 HP-3PH, 460V	Electric	5800530B	94981	10"/12"	370	4,931
CC114HY	Danfoss®	17.5 HP-2500PSI, 12 GPM	Hydraulic	5800532	48553	10"/12"	220	4,921
NOTE: Floor Grinders comes with one 65lb weight ballast (*excludes Model # CC102E1)								
Optional Second weight				2501047	47017	---	50	\$317

Propane Kit for CC113H

Part #	Cat #	List Price
6040322	10156	\$3,080
Required Bracket		
6043551	14589	\$251

CC200 DUAL HEAD FLOOR GRINDER

Accommodates Both Diamond Grinding Heads and Grinding Blocks



MADE IN THE U.S.A.



Uses 10" or 12" Diamond Grinding Heads



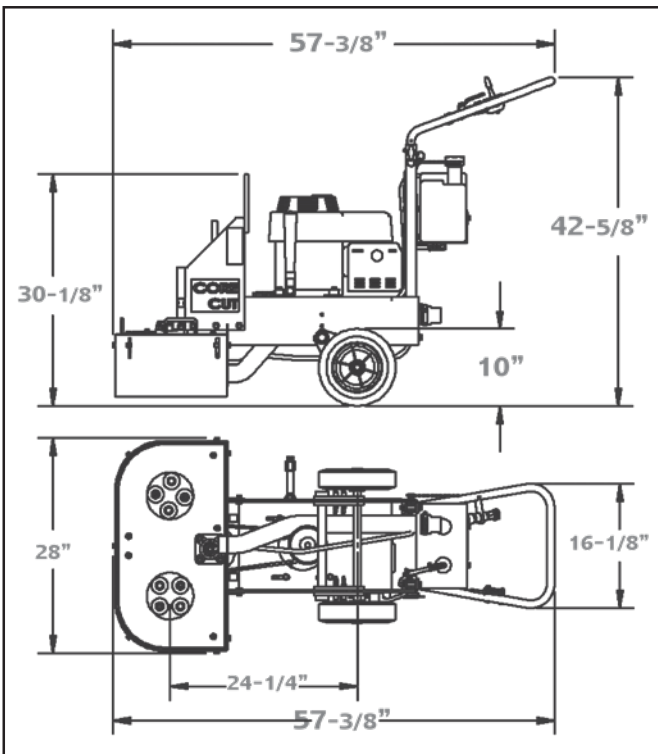
Electric models include starter box



10"/12" Head Capacity / Gasoline / Electric / Propane

Features & Benefits:

- Remote throttle
- 2" dust port opening
- Multiple grease point
- 1/4" thick steel box frame
- Water hose connection
- Adjustable operator handles
- Multiple lifting handles and single lifting point
- Dual head allows large 24" grinding area with two 12" heads
- 4 rear axle positions and swivel axle
- Matches the height of the grinding head being used and allows for rapid change in weight distribution during grinding or transport
- Can use diamond grinding head, carbide blocks or grinding stones



Optional second 50 lbs weight for added performance
Part # 2501047
Cat # 47017

CC200 Floor Grinder

CC200 DUAL HEAD FLOOR GRINDER

Model #	Engine/Motor Make	Engine/Motor Power	Power Source	Part #	Cat #	Head Capacity	Product Weight (lbs)	List Price
CC210H	Honda® GXV390	10.2 HP	Gas	5800537	47799	(2)10"/(2)12"	530	\$6,642
CC202E1	Baldor®	2 HP-1PH, 115V or 230V*	Electric	5800533	48555	(2)10"/(2)12"	390	5,413
CC275E1	Baldor®	7.5 HP-1 PH, 230 Volt	Electric	5800535	48556	(2)10"/(2)12"	524	7,856
CC275E1	Baldor®	7.5 HP-3 PH, 230 Volt	Electric	5800536A	11192	(2)10"/(2)12"	560	7,212
CC275E3	Baldor®	7.5 HP-3 PH, 460 Volt	Electric	5800536B	94965	(2)10"/(2)12"	560	7,212
CC214HY	Danfoss®	17.5 HP-2500 PSI, 12 GPM	Hydraulic	5800538	48558	(2)10"/(2)12"	240	7,220
NOTE: Each Floor Grinder comes with one 65 lb weight ballast (*excludes Model # CC202E1)								
Optional second weight				2501047	47017	---	---	\$317

* Must specify 115V or 230V when ordering
Horsepower as rated by the engine manufacturer

Propane Kit for CC213H

Part #	Cat #	List Price
6040322	10156	\$3,080
Required Bracket		
6043551	14589	\$251

FLOOR GRINDING ACCESSORIES



Diamond Grinding Block
NOTE: Use diamond grinding blocks on dual head models only.



Super Premium Diamond Grinding Block with .433" Segment Height



Carbide Cutting Block



See page 36 for Diamond Grinding Blocks

Aluminum discs used with 3 grinding blocks or stones for use with two discs on dual head models only. Also works with competition style floor grinders.

CC1000 SMALL JOINT CUTTING SAW



MADE IN THE U.S.A.

The Ultra Lightweight Saw That Cuts Decorative and Joint Cuts in Concrete



8" Blade Capacity

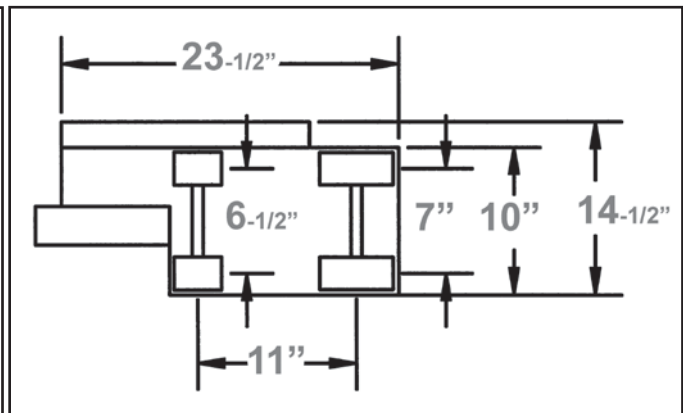
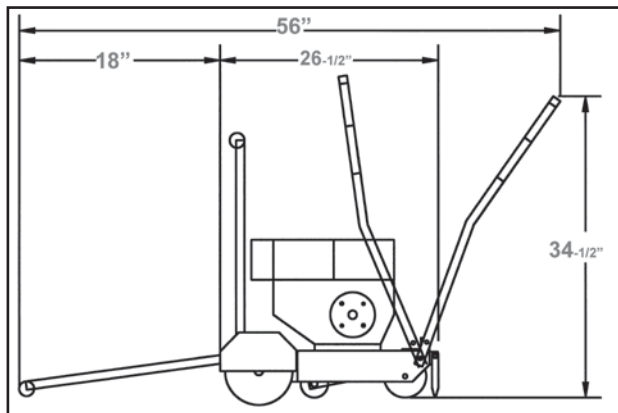
Gasoline

Electric

Features & Benefits:

- Power transference to blade drive via 2 molded notch 3VX premium belts for better cutting performance and long belt life
- Easy to maneuver push drive
- Cyclone air cleaner for increased engine longevity
- **Center cut design** making it easier to keep the cut straight
- **Upcut design** for a cleaner cut
- Adjustable blade alignment
- 1/8" steel frame
- 1" or 5/8" arbor with grease bearings

CC1000 SPECIFICATIONS	
Max. Depth of Cut	2-1/4" with 8" diameter blade
Blade Shaft RPM	6100
Blade Shaft Diameter	1"
Arbor Size	1" or 5/8" option
Front Wheels Size	3" x 2" x 3/4"
Rear Wheels Size	5" x 2" x 3/4"



CC1000 Saw

CC1000 SMALL JOINT CUTTING SAW

Model #	Engine/Motor Make	Engine/Motor Power	Power Source	Part #	Cat #	Blade Capacity	Product Weight (lbs)	List Price
CC1025E-8	Baldor®	2.5 HP, 110V/230V -1PH	Electric	5800552	47104	8"	75	\$3,064
CC1025E-8	Baldor®-5/8" shaft	2.5 HP, 110V/230V -1PH	Electric	5800716	63217	8"	75	3,037
CC1048H-8	Honda® GX160	4.8 HP, 7.6 Torque (lbs.-ft.)	Gas	5800551	46851	8"	110	2,850
CC1048H-8	Honda® GX160-5/8" shaft	4.8 HP, 7.6 Torque (lbs.-ft.)	Gas	5800620	82084	8"	120	2,850

Horsepower and torque as rated by the engine manufacturer

CC1100XL JOINT CUTTING MINI SAW



MADE IN THE U.S.A.



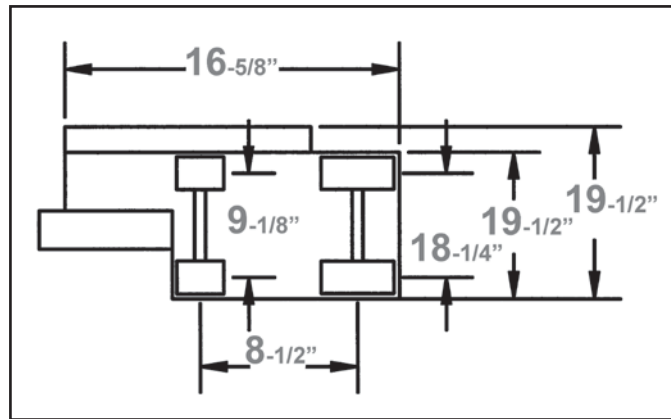
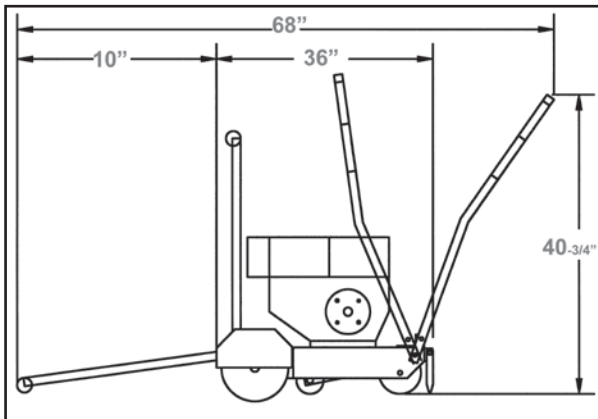
14" Blade Capacity

Gasoline

Features & Benefits:

- Heavy duty adjustable operator handles
- Easy to maneuver push drive
- Upcut or downcut available
- 1" arbor size with drive pin
- Compact size for easy transporting

CC1100XL SPECIFICATIONS	
Max. Depth of Cut	4-5/8" with 14" diameter blade
Blade Shaft RPM	2650
Blade Shaft Diameter	1"
Arbor Size	1"
Front Wheels Size	3" x 2" x 3/4"
Rear Wheels Size	8" x 2" x 3/4"



CC1100XL JOINT CLEANING MINI SAW

Model #	Engine Make	Engine Power	Power Source	Part #	Cat #	Blade Capacity	Product Weight (lbs)	List Price
CC1111HXL-14	Honda® GX390-Downcut	11.7 HP, 19.5 Torque (lbs.-ft.)	Gas	5801015	04648	14"	185	\$3,121
CC1111HUXL-14	Honda® GX390-Upcut	11.7 HP, 19.5 Torque (lbs.-ft.)	Gas	5801020	08366	14"	215	3,121

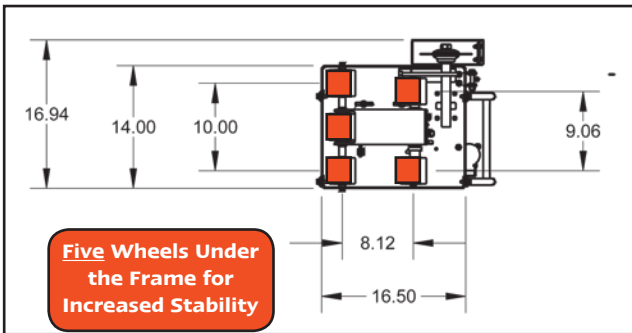
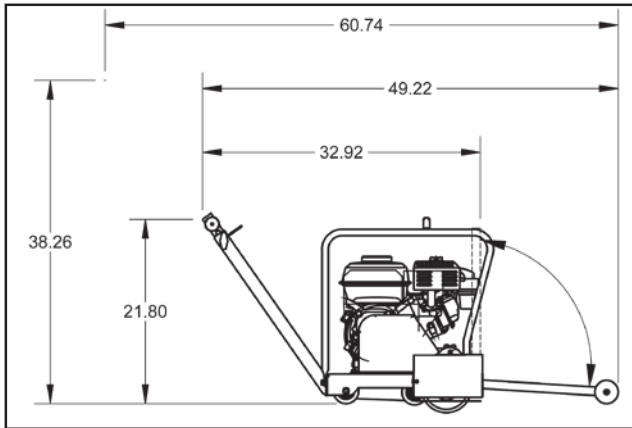
Horsepower and torque as rated by the engine manufacturer.

CC1100XL Saw

CC150XL-EE FIRST-CUT™ SAW



Telescoping handle adjusts to operator's height



Includes vacuum attachment guard plate

Spring loaded skid plate that keeps it down on the surface to help prevent spalling

Up-cut design

CC150XL-EE First-Cut Saw

6" Blade Capacity

Gasoline

Features & Benefits:

- Reliable skid plate system for green concrete
- Heavy duty design but light weight enough for two people to lift
- Fully adjustable handle bars for operator comfort
- Cyclone air filter for increased air flow
- Up-cut design to keep debris from going back in the cut
- Blade raise/lower mechanical mechanism with spring loaded release
- Single ribbed drive belt

CC150XL-EE SPECIFICATIONS	
Max. Depth of Cut	1-3/16" with 6" diameter blade
Blade Shaft RPM	4020
Blade Shaft Diameter	1-1/4"
Arbor Size	1"
Depth Indicator	Standard

CC150XL-EE EARLY ENTRY SAW

Model #	Engine Make/Model	Engine Power	Part #	Cat #	Product Weight (lbs)	LIST PRICE
CC148HXL-EE6	Honda® GX160	4.8 HP, 7.6 Torque (lbs.-ft.)	5801345	32739	100	\$3,138
CC165BVXL-EE6	Briggs® Vanguard	6.5 HP	5801346	32747	105	3,030
CC165LXL-EE6	Lifan® LF168F	6.5 HP	5801347	32755	100	2,922

Horsepower as rated by the engine manufacturer.

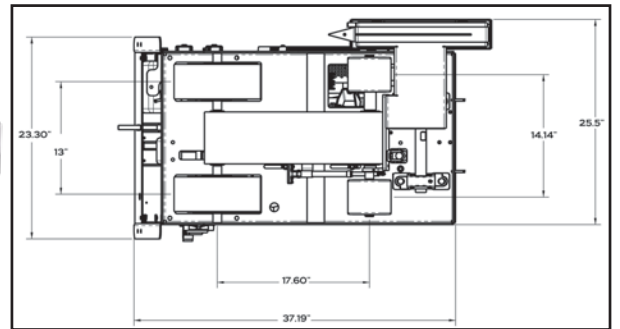
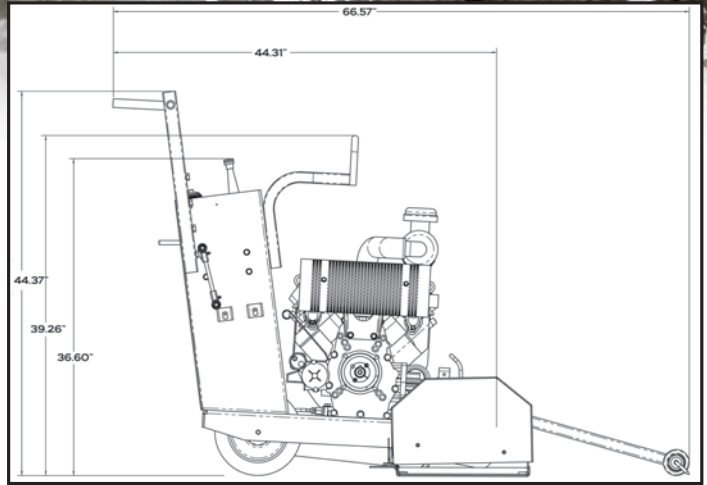
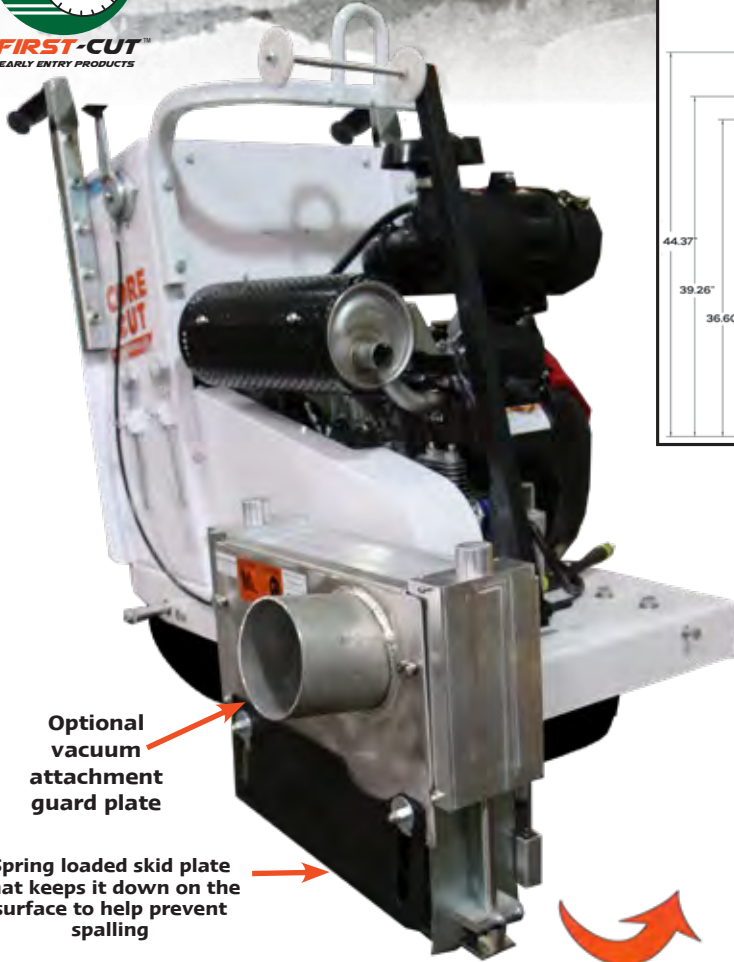
CC150XL-EE OPTIONS

Description	Part #	Cat #	List Price
Vacuum attachment guard cover	6040775	81879	\$275



MADE IN THE U.S.A.

CC190PRO-EE FIRST-CUT™ SAW



Use the Core Vac CV1900 Vacuum for the CC190PRO-EE saw Includes Hoses. Used Dry Only -.See Page XXX for more information

14" Blade Capacity

Gasoline

Up-cut design

Features & Benefits:

- Capable of .110" to .250" thick blades
- Self propelled drive
- Raise and lower adjustable handle bars
- Heavy duty handle design
- Self aligning blade shaft bearings
- Easy access to battery with heavy duty isolator switch to prevent power drain
- Up-cut design to keep debris from going back in the cut
- Lifting hook for easy transport

CC190PRO-EE SPECIFICATIONS	
Max. Depth of Cut	3-5/8" with 14" diameter blade
Blade Shaft RPM	3500
Blade Shaft Diameter	1-1/4"
Arbor Size	1" with single drive pin
Blade Raise/Lower	Electric actuation
Transmission	Eaton Model 6
Drive Speed	0-80 feet per minute
Includes	Electric start, low oil alert and tach/hour meter

CC190PRO-EE EARLY ENTRY SAW

Model #	Engine Make/Model	Engine Power	Part #	Cat #	Product Weight (lbs)	LIST PRICE
CC190PRO-EE	Honda® GX630	20.8 HP, 35.6 Torque (lbs.-ft)	5801128	13364	420	\$15,187

CC190PRO-EE OPTIONS

Description	Part #	Cat #	List Price
CV1900 dust containment vacuum for CC190PRO-EE with hoses - dry only	2505723	82095	\$14,832
Vacuum side cover plate for CC190PRO-EE blade block	2708358	80580	376
Vacuum adapter 3" to 5" (manifold assembly 1" - 3" port)	2504846	82102	205
Spot Light Kit	6047720	78751	150



MADE IN THE U.S.A.

Horsepower as rated by the engine manufacturer.

CC1200XL PORTABLE SAW



CC1211H-18
with GX390 Honda®

Shown with optional
water tank

Blade not included



Dial screw feed raise and lower handle with
comprehensive saw operation control panel.



MADE IN THE
U.S.A.

CC1213B-18
with Briggs® 2100 Series



Blade not included

CC1200XL Saw

14" & 18" Blade Capacity

Gasoline

Propane

Features & Benefits:

- Heavy duty design, but light weight enough for two people to lift and carry
- Cyclone air filter (Honda® models)
- Easy to read built-in depth indicator
- Slip-on blade guard
- Adjustable heavy duty handles do not rattle like competitor handles
- Left or right hand sawing
- Poly V-Belts
- Water tank and lifting bale (tank optional-for dust suppression)

CC1200XL SPECIFICATIONS

Max. Depth of Cut with 14" Blade	4-5/8"
Max. Depth of Cut with 18" Blade	6-5/8"
Blade Shaft RPM	2600
Blade Shaft Diameter	1-1/4"
Arbor Size	1" with single drive pin
Blade Mounting	Right or left
Blade Raise/Lower	Precision screw feed
Depth Indicator	Standard

CC1200XL SMALL WALK BEHIND SAW

Saw Model #	Engine/Motor Make	Engine/Motor Model	Engine/Motor Power	Power Source	Blade Capacity	Part #	Cat #	Product Weight (lbs)	List Price
CC1208HXL-14	Honda*	GX270	8.5 HP, 14.1 Torque (lbs.-ft.)	Gas	14"	5801092	32360	245	\$2,892
CC1211HXL-14	Honda*	GX390	11.7 HP, 19.5 Torque (lbs.-ft.)	Gas	14"	5801093	32363	271	3,014
CC1213BXL-14	Briggs* ◇	2100	420cc, 21 Torque (lbs.-ft.)	Gas	14"	5801094	32365	275	2,385
CC1208HXL-18	Honda*	GX270	8.5 HP, 14.1 Torque (lbs.-ft.)	Gas	18"	5801095	32424	256	2,895
CC1209LXL-18	Lifan*	LF177F	9 HP	Gas	18"	5801096	32438	235	2,267
CC1211HXL-18	Honda*	GX390	11.7 HP, 19.5 Torque (lbs.-ft.)	Gas	18"	5801097	32453	294	3,026
CC1213BXL-18	Briggs* ◇	2100	420cc, 21 Torque (lbs.-ft.)	Gas	18"	5801098	32454	290	2,462
CC1215LXL-18	Lifan*	LF190F	15 HP	Gas	18"	5801099	32482	280	2,462

◇ Briggs 2100 Series models include a Diamond Products 3-year extended warranty. Horsepower and Torque as rated by the engine manufacturer.

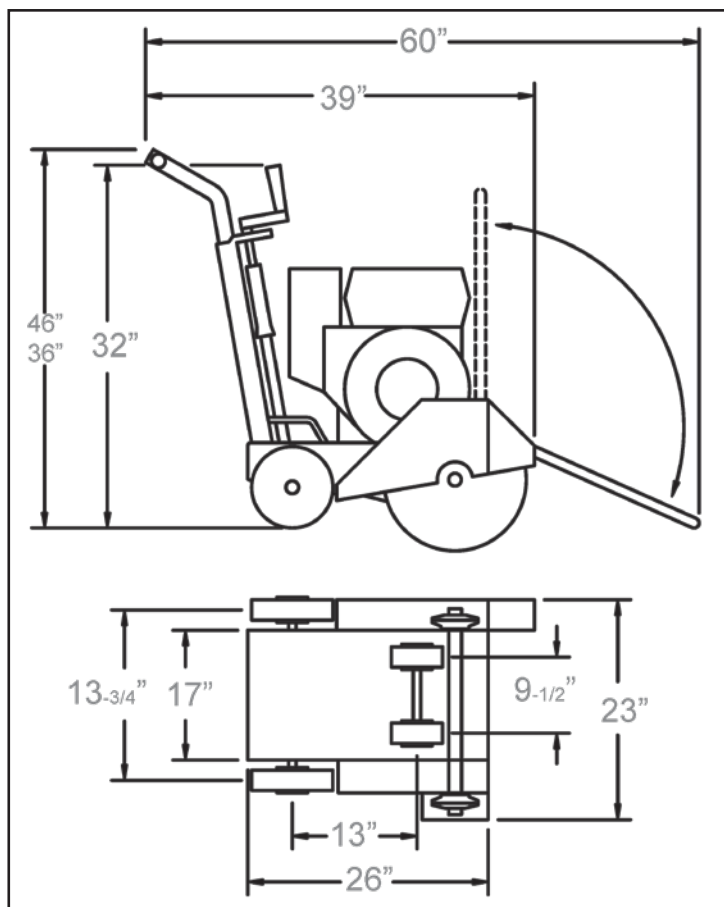
CC1200XL OPTIONS

Description	Part #	Cat #	List Price
7 1/2 gallon water tank with 5/8" hose (includes tank, petcock, hose, coupler and bungee style tie-down)**	6049047	25948	\$127
Lift frame kit for older (pre-2011 models)-Standard on all new saws	6047309	39744	367
Propane conversion kit for 8.5 HP Honda* (4.7 gallon tank, horizontal vapor) + [must order with Part # 2502503]	6040321	10155	3,080
Propane conversion kit for 11.7 HP Honda* (4.7 gallon tank, horizontal vapor) + [must order with Part # 6043551]	6040322	10156	3,080
Extra slip-on blade guard 14"	6016001	92016	375
Extra slip-on blade guard 18"	6016000	92017	421

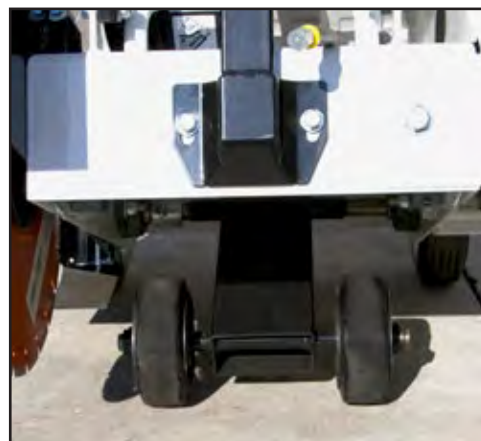
** For dust suppression when dry cutting.

+ Propane conversion kits include the following: conversion to dual fuel, safety fuel lock, liquid propane fuel tanks with float gauge and safety check connector. **Extra lead time is required for fitting propane fuel options.**

Horsepower and torque as rated by the engine manufacturer.



Heavy duty built-in depth indicator within easy view during operation allows quick measuring of the blade depth.



Heavy duty boxed raise/lower wheel shaft

CC1300XL SMALL WALK BEHIND SAW



Shown with optional water tank & bracket kit

CC1311HXL-20
blade not included



Heavy duty adjustable handles and precision screw feed raise and lower



CC1310E3XL-20
blade not included

Electric models are suitable where exhaust fumes are not allowed

CC1300XL Saw

- 14"-20" Blade Capacity
- Gasoline
- Electric
- Hydraulic
- Propane

Features & Benefits:

- Heavy duty frame design
- Cyclone air filter (Honda® models)
- Easy to maneuver push drive
- Four position heavy duty handles offer no slack and don't rattle like other adjustable handles
- Through rear axle for added strength
- Solid sealed and self aligning blade shaft bearings
- Slip-on blade guard for easy blade access
- Three V-belts for extra power delivery to the blade shaft
- Left or right side sawing
- Optional water tank available for dust suppression

CC1300XL SPECIFICATIONS	
Max. Depth of Cut with 14" Blade	4-5/8"
Max. Depth of Cut with 18" Blade	6-5/8"
Max. Depth of Cut with 20" Blade	7-5/8"
Blade Shaft RPM	2600
Blade Shaft Diameter	1-1/4"
Arbor Size	1" with single drive pin
Blade Mounting	Right or left
Blade Raise/Lower	Precision screw feed

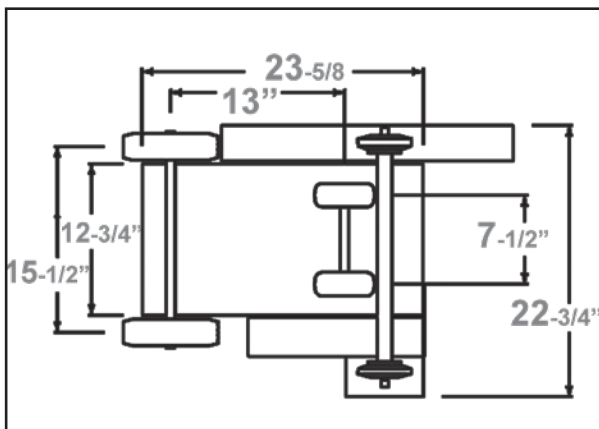
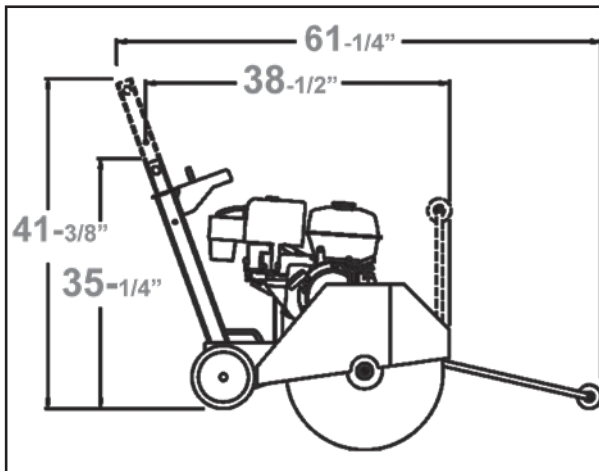


MADE IN THE U.S.A.

CC1300XL SMALL WALK BEHIND SAW

Saw Model #	Engine/Motor Make	Engine/Motor Model	Engine/Motor Power	Power Source	Blade Capacity	Part #	Cat #	Product Weight (lbs)	List Price
CC1308HXL-14	Honda®	GX270	8.5 HP, 14.1 Torque (lbs.-ft.)	Gas	14"	5800575	75066	225	\$3,678
CC1311HXL-14	Honda®	GX390	11.7 HP, 19.5 Torque (lbs.-ft.)	Gas	14"	5800576	75067	260	3,841
CC1313BXL-14	Briggs® ⬠	2100	420cc, 21 Torque (lbs.-ft.)	Gas	14"	5801117	61491	265	3,075
CC1305E1XL-14	Baldor®	n/a	5 HP, 230V-1PH	Electric	14"	5800577	75068	261	4,225
CC1305E3XL-14	Baldor®	n/a	5 HP, 230V-3PH	Electric	14"	5800578A	99977	275	4,410
CC1305E3XL-14	Baldor®	n/a	5 HP, 480V-3PH	Electric	14"	5800578B	26493	275	4,410
CC1311HUXL-14	Honda®	GX390 upcut	11.7 HP, 19.5 Torque (lbs.-ft.)	Gas	14"	5800871	27131	350	4,436
CC1313BUXL-14	Briggs® ⬠	2100 upcut	420cc, 21 Torque (lbs.-ft.)	Gas	14"	5801118	61493	355	3,547
CC1308HXL-18	Honda®	GX270	8.5 HP, 14.1 Torque (lbs.-ft.)	Gas	18"	5800579	75070	225	3,752
CC1311HXL-18	Honda®	GX390	11.7 HP, 19.5 Torque (lbs.-ft.)	Gas	18"	5800571	69995	260	3,926
CC1313BXL-18	Briggs® ⬠	2100	420cc, 21 Torque (lbs.-ft.)	Gas	18"	5801116	61494	265	3,139
CC1305E1XL-18	Baldor®	n/a	5 HP, 230V-1PH	Electric	18"	5800580	75071	280	4,269
CC1305E3XL-18	Baldor®	n/a	5 HP, 230V-3PH	Electric	18"	5800581A	93652	245	4,464
CC1305E3XL-18	Baldor®	n/a	5 HP, 480V-3PH	Electric	18"	5800581B	97080	245	4,464
CC1311HUXL-18	Honda®	GX390 upcut	11.7 HP, 19.5 Torque (lbs.-ft.)	Gas	18"	5800872	26751	350	4,503
CC1313BUXL-18	Briggs® ⬠	2100 upcut	420cc, 21 Torque (lbs.-ft.)	Gas	18"	5801119	61496	355	3,604
CC1310E3XL-20	Baldor®	n/a	10 HP, 230V-3PH	Electric	20"	5800589A	93810	315	6,184
CC1310E3XL-20	Baldor®	n/a	10 HP, 460V-3PH	Electric	20"	5800589B	93220	340	6,184
CC1310E3XL-20	Baldor®	n/a	10 HP, 230V/460V-3PH	Electric	20"	5800985	57763	335	7,206
CC1311HXL-20	Honda®	GX390	11.7 HP, 19.5 Torque (lbs.-ft.)	Gas	20"	5800723	21855	365	3,981
CC1313HYXL-20	Danfoss®	n/a	15 GPM	Hydraulic	20"	5800724A	37387	230	5,603
CC1313HYXL-20	Danfoss®	n/a	20 GPM	Hydraulic	20"	5800724B	50852	230	5,603
CC1313HYXL-20	Danfoss®	n/a	25 GPM	Hydraulic	20"	5800724C	37388	230	5,603

⬠ Briggs 2100 Series models include a Diamond Products 3-year extended warranty. Horsepower and Torque as rated by the engine manufacturer.



CC1300XL OPTIONS

Description	Part #	Cat #	List Price
Water Tank Kit with 5/8" hose (5 gal.)** - includes water tank bracket	6049050	36252	\$227
Extended Blade Shaft Kit (up to 1" spacing)	6048107	48388	52
Catalytic Muffler for 11HP Honda®	2501567	78637	1,160
Propane Conversion Kit for 8.5 HP Honda® (4.7 gallon tank, horizontal vapor)+ [must also order with Part # 6048940]	6040321	10155	3,080
Propane Conversion Kit for 11.7 HP Honda® (4.7 gallon tank, horizontal vapor)+ [must also order with Part # 6048940]	6040322	10156	3,080
Extra Slip-on Blade Guard 14"	6048912	97088	490
Extra Slip-on Blade Guard 18"	6048910	97883	536
Extra Slip-on Blade Guard 20"	6048904	98682	665

** For dust suppression when dry cutting.

Water tank kit not available for electric saw models.

+ Propane conversion kits include the following: conversion to dual fuel, safety fuel lock, liquid propane fuel tanks with float gauge and safety check connector.

CC1500E MODULAR SAW



MADE IN THE U.S.A.



Shown with electrical plug (not included). Comes with pigtail wires and plug must be installed. See page 15 for electrical information.

CC1500E Saw

20" Blade Capacity

Electric

Features & Benefits:

- Electric powered for areas with limited access and where exhaust fumes are not allowed
- Easy to maneuver push drive
- Motor can be removed in limited access areas to allow for a single person operation
- Lightweight aluminum frame
- Screw feed raise and lower
- Full adjustable heavy duty handle design

CC1500E SPECIFICATIONS

Max. Depth of Cut with 14" Blade	4-5/8"
Max. Depth of Cut with 18" Blade	6-1/2"
Max. Depth of Cut with 20" Blade	7-1/2"
Blade Shaft RPM	2000
Blade Shaft Diameter	1-1/4"
Arbor Size	1" with single drive pin
Blade Mounting	Right or left
Blade Raise/Lower	Precision screw feed

CC1500E MODULAR SAW

Saw Model #	Motor Make	Motor Power	Power Source	Part #	Cat #	Blade Capacity	Product Weight (lbs.)	List Price
CC1507E3-20	Baldor®	7.5 HP 460V, 3 PH	Electric	5801500	19131	20"	185	\$9,021

Horsepower and Torque as rated by the engine manufacturer.

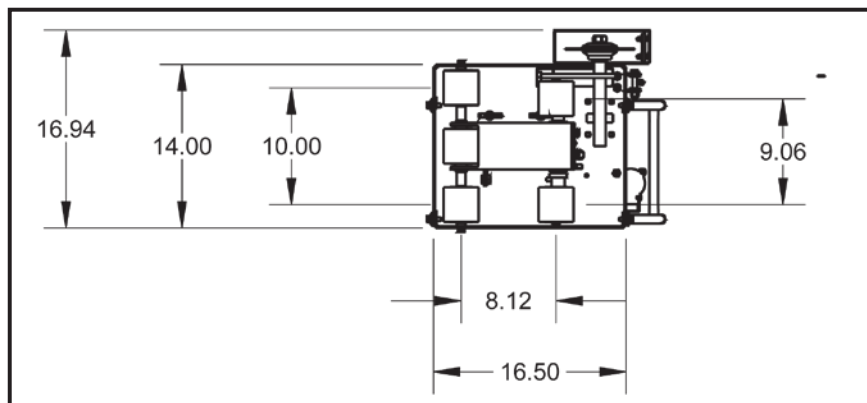
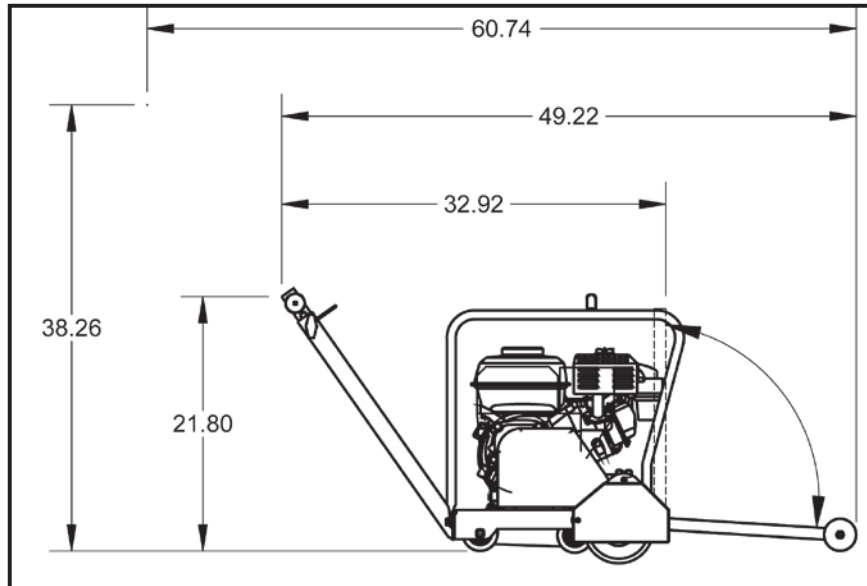


Enhanced V-Belt tensioning system keeps your belts tight

CC1500E OPTIONS

Description	Part #	Cat #	List Price
14" slip-on blade guard	6048912	97088	\$490
18" slip-on blade guard	6048910	97883	536
20" slip-on blade guard	6048904	98682	665

**Quick Motor Removal Allows Easy One Person Transportation
Lightweight Aluminum Frame and Lightest Weight Motor**



CC1500E Saw

CC1800XL MEDIUM SAW

Many Power Options to Fit Your Application



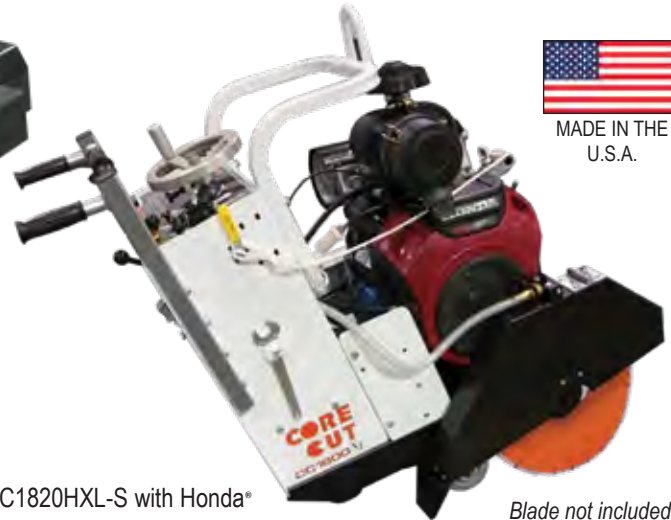
Heavy duty handle design

CC1800XL control panel with screw feed, ignition switch, adjustable handles and hour meter. Handles have two sets of grips that can be positioned outward or inward (as shown).



CC1823BVXL-S
with Briggs Vanguard

Blade not included



CC1820HXL-S with Honda®

Blade not included



MADE IN THE U.S.A.

14"-20" Blade Capacity

Gasoline

Electric

Hydraulic

Propane

Features & Benefits:

- Electric start option on Honda and Briggs Vanguard models
- Pull start backup on Briggs Vanguard models
- Push or self propelled models
- Easy access to battery with heavy duty isolator switch to prevent battery drain
- Screw feed raise and lower
- Lifting hook standard on all models
- Self aligning blade shaft bearings

CC1800XL SPECIFICATIONS	
Max. Depth of Cut with 14" Blade	4-5/8"
Max. Depth of Cut with 18" Blade	6-5/8"
Max. Depth of Cut with 20" Blade	7-5/8"
Blade Shaft RPM	2600
Blade Shaft Diameter	1-1/4"
Arbor Size	1" with single drive pin
Blade Shaft Drive	3 belts on 11.7HP, 4 belts on other models
Blade Mounting	Right or Left
Transmission	Eaton Model 6
Drive Speed	0-80 feet per minute
Fuel Capacity (gas models)	2 gallon
Wheel Dimensions	5" x 1-1/2" x 3/4" (Front) 6" x -1-1/2" x 5/8" (Back)
Includes	Electric start (18-23HP), Low Oil Alert, Tach/hour meter (18-23 HP)

CC1800XL MEDIUM WALK BEHIND SAW-PUSH MODELS

Model #	Engine/Motor Make/Model	Engine/Motor Power	Power Source	Part # with 14" Guard	Cat # with 14" Guard	14" Capacity List Price	Part # with 20" Guard	Cat # with 20" Guard	20" Capacity List Price	Product Weight (lbs.)
CC1875E1XL-P	Baldor®	7.5 HP, 230V-1PH	Electric	5800628	54480	\$6,745	5800629	54490	\$6,873	395
CC1810E3XL-P	Baldor®	10 HP, 230V-3PH	Electric	5800692A	54485	6,730	5800693A	54497	6,858	420
CC1810E3XL-P	Baldor®	10 HP, 460V-3PH	Electric	5800692B	54565	6,730	5800693B	54580	6,858	425
CC1810E3XL-P	Baldor®	10 HP, 575V-3PH	Electric	5800692C	54568	6,730	5800693C	54581	6,858	430
CC1811HXL-P	Honda® GX390 Gas	11.7 HP, 19.5 Torque (lbs.-ft.)	Gas	5800694	54486	4,159	5800695	54498	4,252	310
CC1811HEXL-P	Honda® GX390 Gas ▶	11.7 HP, 19.5 Torque (lbs.-ft.)	Gas	5802258	27946	5,193	5802259	17244	5,281	280
CC1813BXL-P	Briggs® 2100 Series ◊	420cc, 21 Torque (lbs.-ft.)	Gas	5801114	61230	3,403	5801115	61234	3,478	285
CC1816BVXL-P	Briggs® Vanguard Q	16 HP	Gas	5800696	54487	4,987	5800697	54505	5,040	335
CC1818HYXL-P	Danfoss®	15 gpm	Hydraulic	5800698A	54489	4,754	5800699A	54506	4,852	300
CC1818HYXL-P	Danfoss®	20 gpm	Hydraulic	5800698B	54571	4,754	5800699B	54582	4,852	300
CC1818HYXL-P	Danfoss®	25 gpm	Hydraulic	5800698C	54579	4,754	5800699C	54593	4,852	300

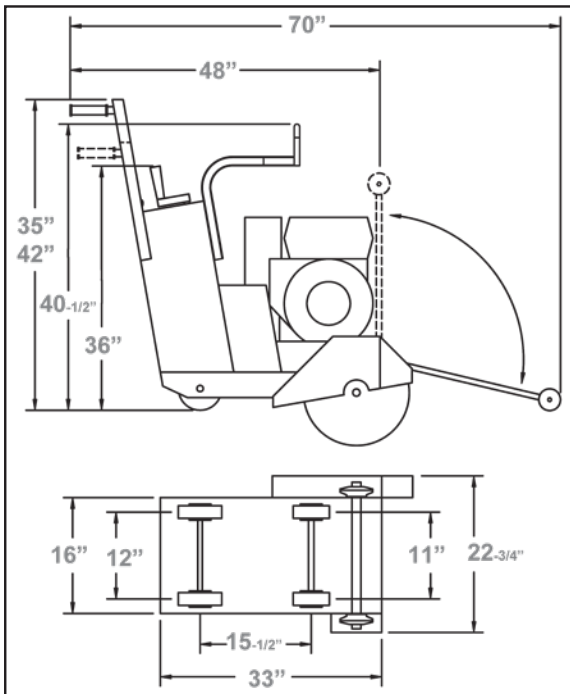
CC1800XL MEDIUM WALK BEHIND SAW-SELF-PROPELLED MODELS

CC1875E1XL-S	Baldor®	7.5 HP, 230V-1PH	Electric	5800736	54507	\$8,148	5800737	54539	\$8,279	450
CC1810E3XL-S	Baldor®	10 HP, 230V-3PH	Electric	5800738A	54508	8,133	5800739A	54540	8,259	460
CC1810E3XL-S	Baldor®	10 HP, 460V-3PH	Electric	5800738B	54596	8,133	5800739B	54600	8,259	380
CC1810E3XL-S	Baldor®	10 HP, 575V-3PH	Electric	5800738C	54597	8,133	5800739C	54601	8,259	380
CC1811HXL-S	Honda® GX390 Gas	11.7 HP, 19.5 Torque (lbs.-ft.)	Gas	5800643	54536	5,364	5800644	54541	5,398	380
CC1811HEXL-S	Honda® GX390 Gas ▶	11.7 HP, 19.5 Torque (lbs.-ft.)	Gas	5802260	27947	6,727	5802261	78112	6,811	395
CC1813BXL-S	Briggs® 2100 Series ◊	420cc, 21 Torque (lbs.-ft.)	Gas	5801112	61225	4,845	5801113	61226	4,920	400
CC1816BVXL-S	Briggs® Vanguard Q	16 HP	Gas	5800645	54537	5,767	5800646	54542	5,855	380
CC1818HYXL-S	Danfoss®	15 gpm	Hydraulic	5800647A	54538	6,133	5800648A	54549	6,218	350
CC1818HYXL-S	Danfoss®	20 gpm	Hydraulic	5800647B	54598	6,133	5800648B	54604	6,218	350
CC1818HYXL-S	Danfoss®	25 gpm	Hydraulic	5800647C	54599	6,133	5800648C	54623	6,280	350
CC1820HXL-S	Honda®GX630 ▶◆	20.8 HP, 35.6 Torque (lbs.-ft.)	Gas	5800667	51234	7,881	5800668	53351	7,967	470
CC1823BVXL-S	Briggs®Vanguard ▶◆◻	23 HP	Gas	5801218	22269	7,210	5801219	22271	7,276	460

▶ Electric start ◆ Includes remote cyclone air cleaner ◻ Gross horsepower at 3600 RPM per SAEJ1940

◊ Briggs 2100 Series models include a Diamond Products 3-year extended warranty-Gross horsepower at 2600 RPM per SAE J1940

Horsepower and Torque as rated by the engine manufacturer.



CC1800XL OPTIONS

Description	Part #	Cat #	List Price
Electric Water Pump (electric start engines only)	6048970	66686	\$508
Water Tank Kit* (7.5 gallon)*	6049020	70611	219
Tach/Hour Meter-Digital(displays engine RPM) W	2801502	36079	108
Weight Kit (26 lbs)**	6048959	66687	142
Parking Brake	6048873	66688	249
Catalytic Muffler for 11.7HP GX390 Honda® Engines	2501567	78637	1,160
Catalytic Muffler for 20.8HP GX630 Honda® Engines	2703546	68832	2,321
Extended Blade Shaft Kit for up to 1" spacing	6048107	48388	52
Propane Conversion Kit for 20.8 HP Honda® or 23 HP Briggs® (4.7 gallon tank, horizontal vapor)+	6040323	10157	3,286
Propane Conversion Kit for 11.7 HP Honda® (4.7 gallon tank, horizontal vapor)+	6040322	10156	3,080
14" Slip-on Blade Guard	6048912	97088	490
20" Slip-On Blade Guard	6048904	98682	665

* For dust suppression when dry cutting only-not available on electric saws.

◆ Standard on all 18HP and 23HP models.

** Standard on all electric saws with 20" blade capacity and saws over 15HP.

+ Propane conversion kits include the following: conversion to dual fuel, safety fuel lock, liquid propane fuel tanks with float gauge and safety check connector.

CC2500 MEDIUM WALK BEHIND SAW

Delivers the Power of a Large Saw in a Compact Frame



CC2500 control panel shown with optional raise/lower control switch

CE Certified



Blade not included

CC2500 SAW

14"-26" Blade Capacity / Gasoline / Electric / Hydraulic

Propane

Features & Benefits:

- Rigid high strength 3/16" steel box frame with heavy bar reinforcement
- Two position tilt handle bars
- Four power options offer versatility and convenience
- Push or self propelled drive
- Screw feed raise and lower with optional power raise and lower
- Cyclone air filter on gas models
- Positive gear drive to rear axle via Eaton hydrostatic transmission

CC2500 SPECIFICATIONS	
Max. Depth of Cut with 14" Blade	4-5/8"
Max. Depth of Cut with 20" Blade	7-3/8"
Max. Depth of Cut with 26" Blade	10-3/8"
Blade Shaft RPM	Varies
Blade Shaft Diameter	1-1/2"
Arbor Size	1" with single drive pin
Blade Shaft Drive	4 belts on 20.8HP, 5 belts on 25HP
Blade Mounting	Right or Left
Transmission	Eaton Model 6
Drive Speed	0-130 feet per minute
Fuel Capacity (gas models)	5 gallon
Includes	Electric start (20-25HP), Low Oil Alert, Tach/hour meter (20-25 HP), Frame lift, Cutting depth indicator, Quick disconnect blade flanges, Telescoping front pointer

CC2500 MEDIUM WALK BEHIND SAW

Model #	Engine/Motor Make/Model	Engine/Motor Power	Power Source	Part #	Cat #	Blade Capacity	Product Weight (lbs.)	List Price
CC2515E3-14	Leeson*	15 HP, 230V-3PH	Electric	5800400A	48413	14"	700	\$10,649
CC2515E3-14	Leeson*	15 HP, 460V-3PH	Electric	5800400B	99980	14"	700	10,649
CC2515E3-20	Leeson*	15 HP, 230V-3PH	Electric	5800401A	98001	20"	670	10,747
CC2515E3-20	Leeson*	15 HP, 460V-3PH	Electric	5800401B	93694	20"	660	10,747
CC2515E3-26	Leeson*	15 HP, 230V-3PH	Electric	5800402A	94379	26"	705	11,023
CC2515E3-26	Leeson*	15 HP, 460V-3PH	Electric	5800402B	94409	26"	720	11,023
CC2520H-14	Honda® GX630** W	20.8 HP, 35.6 Torque (lbs.-ft.)	Gas	5800406	48418	14"	600	11,087
CC2520H-20	Honda® GX630** W	20.8 HP, 35.6 Torque (lbs.-ft.)	Gas	5800407	47164	20"	669	11,192
CC2520H-26	Honda® GX630** w	20.8 HP, 35.6 Torque (lbs.-ft.)	Gas	5800408	48419	26"	670	11,440
CC2522H-14	Honda® GX690** W	22.1 HP, 35.6 Torque (lbs.-ft.)	Gas	5801520	29637	14"	610	12,290
CC2522H-20	Honda® GX690** W	22.1 HP, 35.6 Torque (lbs.-ft.)	Gas	5801521	29638	20"	620	12,378
CC2522H-26	Honda® GX690** w	22.1 HP, 35.6 Torque (lbs.-ft.)	Gas	5801522	34013	26"	685	12,635
CC2525HY-14	Webster® w	25 HP-25 GPM @ 2000 PSI	Hydraulic	5800489	48426	14"	610	9,077
CC2525HY-20	Webster® W	25 HP-25 GPM @ 2000 PSI	Hydraulic	5800490	48427	20"	625	9,164
CC2525HY-26	Webster® w	25 HP-25 GPM @ 2000 PSI	Hydraulic	5800491	48428	26"	650	9,422
CC2525KC-14	Kohler® Command CH742** W	25 HP, 41.2 Torque (lbs.-ft.)	Gas	5800597	79036	14"	645	12,915
CC2525KC-20	Kohler® Command CH742** w	25 HP, 41.2 Torque (lbs.-ft.)	Gas	5800598	79037	20"	650	13,005
CC2525KC-26	Kohler® Command CH742** + w	25 HP, 41.2 Torque (lbs.-ft.)	Gas	5800599	78816	26"	665	13,261

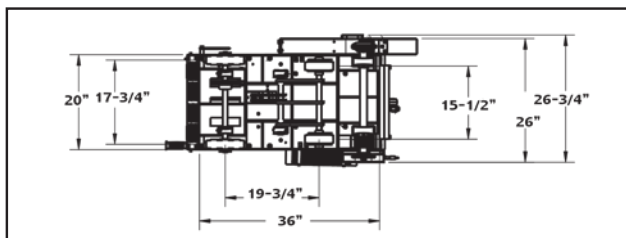
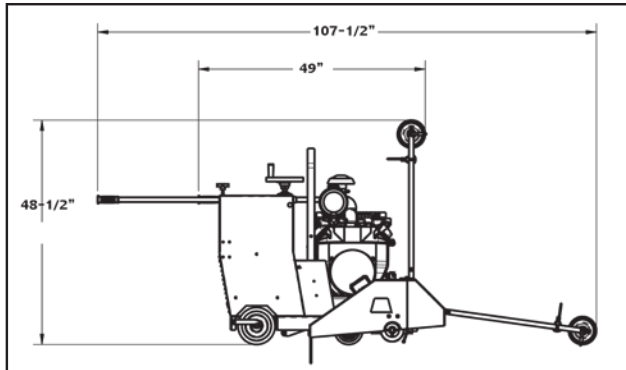
50 cycle motors available on request. (motor starter switch box included).

** Includes remote cyclone air cleaner. + Right hand sawing only on this 26" model. ♦ Electric start.

Horsepower and torque as rated by the engine manufacturer.

CC2500 BLADE GUARDS

Description	Part #	Cat #	List Price
14" Tapered Mount Blade Guard	6010950	20011	\$453
20" Tapered Mount Blade Guard	6010952	08213	673
26" Tapered Mount Blade Guard	6010954	19322	868



CC2500 OPTIONS

Description	Part #	Cat #	List Price
Water Safety Switch W	6047932	47451	\$168
Water Safety Switch (for saws with newer GX630/660/690 Honda engines)	6041358	58340	182
Water Pump (electric) w	6047933	48432	505
Spot Light w	6047934	48433	186
Electric Raise/Lower Assembly for Gas Saw	6047967	48002	896
Electric Raise/Lower Assembly for Electric Saw *	6047970	47467	2,171
Electric Raise/Lower Assembly for Hydraulic Saw *	6047980	52974	2,171
Hydraulic Raise/Lower Assembly for Gas Saw	6047997	78817	1,421
Hydraulic Raise/Lower Assembly for Electric Saw *	6047998	79041	2,531
Hydraulic Raise/Lower Assembly for Hydraulic Saw *	6047999	79042	2,531
Catalytic Muffler for Honda GX630, GX660 & GX690	2504587	61953	2,122
Blade stacking kit-5" flange (for blades 1-1/2" apart)	6010630B	25424	932
Blade spacing kit-5" flange (for blades 2" apart)	6010631B	25426	982
Blade spacing kit-5" flange (for blades 4" apart)	6010632B	23197	1,160
Propane Conversion Kit for 22.2 HP Honda (4.7 gallon tank, horizontal vapor) +	6040376	61955	3,354
Propane Conversion Kit for 20.8 HP Honda (4.7 gallon tank, horizontal vapor) +	6040324	10158	3,240

♦ Not available on electric saw models (CC2515E) or hydraulic saw models (CC2525HY) without Power Raise/Lower Assembly.

* Includes battery and alternator.

+ Propane conversion kits include the following: conversion to dual fuel, safety fuel lock, liquid propane fuel tanks with float gauge and safety check connector.

CC3500 JACKSHAFT SAW

**Ideal for Municipalities
and Rental Stores!**



CC3500 Control Panel
Shown with Optional Shaft Tachometer.

575V or 50 cycle motors available on request. (motor starter switch box included). Quick-release Blades/Flange, Slip-on Blade Guards and Double Concave Roller Bearing are standard on all CC3500 models.



MADE IN THE
U.S.A.

Blade not included

14"-30" Blade Capacity

Gasoline

Electric

Features & Benefits:

- Great mid-size saw for service, utility work and rental
- Jack shaft allows full engine power
- Easy to maneuver self propelled drive
- Engine adjustment mechanism for belt tightening and maintenance
- Strongest frame on the market
- 30% more torque with new jack shaft design (on gas models)
- Fits through a 30" door frame



DC Travel option to allow movement of the saw when the saw is unplugged.

CC3500 SPECIFICATIONS	
Max. Depth of Cut with 14" Blade	4-3/8"
Max. Depth of Cut with 20" Blade	7-3/8"
Max. Depth of Cut with 26" Blade	10-3/8"
Max. Depth of Cut with 30" Blade	12-3/8"
Blade Shaft Diameter	1-3/4"
Arbor Size	1" with single drive pin
Blade Shaft Drive	6 belts
Blade Mounting	Right or Left
Blade Raise/Lower	Electro-hydraulic pump
Transmission	Eaton Model 10
Drive Speed	0-200 feet per minute
Air Filter	4-stage
Fuel Capacity (gas models)	6 gallon
Includes	Hour meter, Frame lift, Cutting depth indicator, Quick disconnect blade flanges, Telescoping front pointer

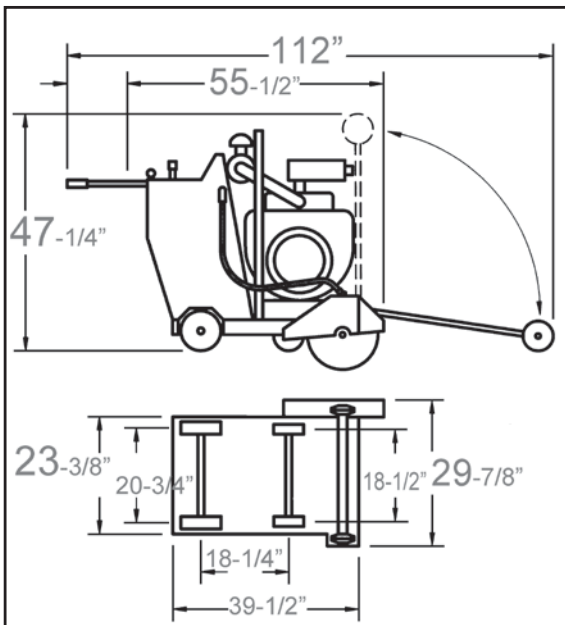
CC3500 WALK BEHIND SAW

Model #	Engine/Motor Make/Model	Engine/Motor Power	Power Source	Part #	Cat #	Blade Capacity	Product Weight (lbs.)	List Price
CC3535JBV-14	Briggs & Stratton® Vanguard Q	35 HP	Gas	5801305	25324	14"	950	\$17,119
CC3535JBV-20	Briggs & Stratton® Vanguard Q	35 HP	Gas	5801306	25330	20"	1,000	17,196
CC3535JBV-26	Briggs & Stratton® Vanguard Q	35 HP	Gas	5801307	25331	26"	1,030	17,220
CC3535JBV-30	Briggs & Stratton® Vanguard Q	35 HP	Gas	5801308	25337	30"	1,065	17,420
CC3537JK-14	Kohler® Command CH1000	37 HP (55.3 torque)	Gas	5801301	25315	14"	950	19,916
CC3537JK-20	Kohler® Command CH1000	37 HP (55.3 torque)	Gas	5801302	25319	20"	960	19,983
CC3537JK-26	Kohler® Command CH1000	37 HP (55.3 torque)	Gas	5801303	25320	26"	1,020	20,064
CC3537JK-30	Kohler® Command CH1000	37 HP (55.3 torque)	Gas	5801304	25322	30"	1,040	20,131
CC3520E3-14	Baldor®	20 HP, 230V-3PH	Electric	5800784A	50442	14"	1,005	17,704
CC3520E3-14	Baldor®	20 HP, 460V-3PH	Electric	5800784B	03729	14"	1,005	17,704
CC3520E3-14	Baldor®	20 HP, 575V-3PH	Electric	5800784C	03730	14"	1,005	17,704
CC3520E3-20	Baldor®	20 HP, 230V-3PH	Electric	5800785A	50443	20"	1,070	17,796
CC3520E3-20	Baldor®	20 HP, 460V-3PH	Electric	5800785B	57116	20"	1,060	17,796
CC3520E3-20	Baldor®	20 HP, 575V-3PH	Electric	5800785C	03733	20"	1,015	17,796
CC3520E3-26	Baldor®	20 HP, 230V-3PH	Electric	5800786A	50444	26"	1,025	17,980
CC3520E3-26	Baldor®	20 HP, 460V-3PH	Electric	5800786B	51919	26"	1,025	17,980
CC3520E3-26	Baldor®	20 HP, 575V-3PH	Electric	5800786C	03739	26"	1,025	17,980
CC3520E3-30	Baldor®	20 HP, 230V-3PH	Electric	5800787A	50446	30"	1,070	18,160
CC3520E3-30	Baldor®	20 HP, 460V-3PH	Electric	5800787B	68486	30"	1,035	18,160
CC3520E3-30	Baldor®	20 HP, 575V-3PH	Electric	5800787C	03743	30"	1,035	18,160
CC3530E3-14	Leeson	30HP, 460V - 3PH	Electric	5800788A	50439	14"	1,010	18,747
CC3530E3-14	Leeson	30HP, 575V - 3PH	Electric	5800788B	46558	14"	1,010	18,747
CC3530E3-20	Leeson	30HP, 460V - 3PH	Electric	5800789A	50440	20"	1,060	18,836
CC3530E3-20	Leeson	30HP, 575V - 3PH	Electric	5800789B	46559	20"	1,060	18,836
CC3530E3-26	Leeson	30HP, 460V - 3PH	Electric	5800790A	50392	26"	1,095	19,017
CC3530E3-26	Leeson	30HP, 575V - 3PH	Electric	5800790B	76420	26"	1,095	19,017
CC3530E3-30	Leeson	30HP, 460V - 3PH	Electric	5800791A	50441	30"	1,140	19,204
CC3530E3-30	Leeson	30HP, 575V - 3PH	Electric	5800791B	62313	30"	1,140	19,204

□ Gross horsepower at 3600 RPM per SAEJ1940. Horsepower and Torque as rated by the engine manufacturer.

CC3500 BLADE GUARDS

Description	Part #	Cat #	List Price
14" Tapered Mount Blade Guard	6010950	20011	\$453
20" Tapered Mount Blade Guard	6010952	08213	673
26" Tapered Mount Blade Guard	6010954	19322	868
30" Tapered Mount Blade Guard	6010956	20456	1,071



CC3500 OPTIONS

Description	Part #	Cat #	List Price
Water Safety Switch	6047932	47451	\$168
Water Pump (electric)	6011032	02506	505
Parking Brake	6011228	81191	421
Spot Light	6010112	02427	186
Shaft Tachometer	6011384	28315	765
Spot Light Kit for Soft Start Electric Models	6012182	27477	276
Blade spacing kit-5" flange (for blades 1-1/2" apart)	6010630B	25424	932
Blade spacing kit-5" flange (for blades 2" apart)	6010631B	25426	982
Blade spacing kit-5" flange (for blades 4" apart)	6010632B	23197	1,160
Lowering Speed Metering Valve	6010227	02480	296
Soft Start Controller Add On for 230/460 volt**	6011449A	14278	4,489
Soft Start Controller Add On for 575 volt**	6011449B	14279	4,489
DC Travel 230/460V for saws without soft start**	6011621	98161	2,701
DC Travel 230/460V for saw with soft start**	6011624	33629	3,228

** For electric saws-factory installed only.

Inquire about our 38 HP Kohler EFI engine.

CC3700E ELECTRIC SAW

Powerful Multi-Application Saw - Big Power That Fits Through a 30" Door Frame*

**With blade guard removed*



DC Travel option to allow movement of the saw when the saw is unplugged.

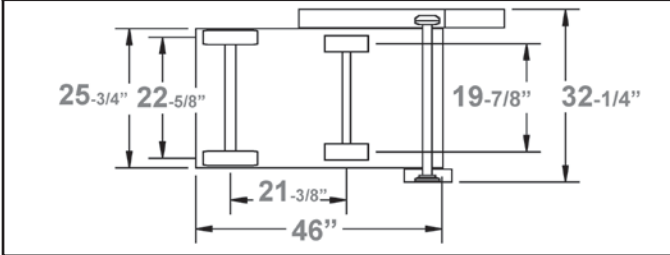
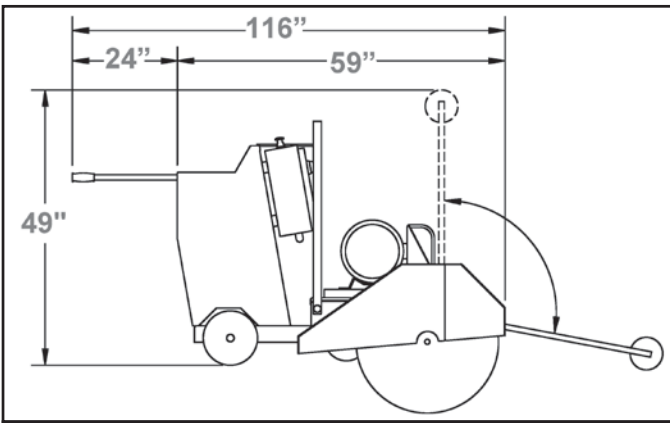
Blade sold separately

14"-42" Blade Capacity

Electric

Features & Benefits:

- Frame designed for higher torque from high horsepower engines
- Forward position motor for more weight at the blade and less on the operator
- Self propelled
- Single or three speed models
- Front pivot allows easy turning
- Multi-function control handle



CC3700E SPECIFICATIONS	
Max. Depth of Cut with 14" Blade	4-1/2"
Max. Depth of Cut with 20" Blade	7-1/2"
Max. Depth of Cut with 26" Blade	10-1/2"
Max. Depth of Cut with 30" Blade	11-3/4"
Max. Depth of Cut with 36" Blade	14-3/4"
Max. Depth of Cut with 42" Blade	17-3/4"
Blade Shaft Diameter	1-3/4"
Arbor Size	1" with single drive pin
Blade Shaft Drive	8 belts
Blade Mounting	Right or Left
Blade Raise/Lower	Electro-hydraulic pump
Transmission	Eaton Model 10
Drive Speed	0-200 feet per minute
Includes	Electric start, Hour meter, Frame lift, Cutting depth indicator, Quick disconnect blade flanges, Telescoping front pointer



CC3700E Starter Box
Large electric saws feature an electric motor controller/starter and a 2" emergency stop button within easy reach of the operator.

CC3700E Saw

CC3700E ELECTRIC WALK BEHIND SAW

Model #	Motor Make	Motor Power	Power Source	Speed	Part #	Cat #	Blade Capacity	Product Weight (lbs.)	List Price
CC3725E3-14	Leeson®	25 HP, 230V-3PH	Electric	Single	5800445A	14306	14"	1,385	\$18,745
CC3725E3-14	Leeson®	25 HP, 460V-3PH	Electric	Single	5800445B	03765	14"	1,385	18,745
CC3725E3-14	Leeson®	25 HP, 575V-3PH	Electric	Single	5800445C	03781	14"	1,385	18,745
CC3725E3-20	Leeson®	25 HP, 230V-3PH	Electric	Single	5800446A	07869	20"	1,395	18,918
CC3725E3-20	Leeson®	25 HP, 460V-3PH	Electric	Single	5800446B	07870	20"	1,395	18,918
CC3725E3-20	Leeson®	25 HP, 575V-3PH	Electric	Single	5800446C	07878	20"	1,395	18,918
CC3725E3-26	Leeson®	25 HP, 230V-3PH	Electric	Single	5800447A	03782	26"	1,330	19,186
CC3725E3-26	Leeson®	25 HP, 460V-3PH	Electric	Single	5800447B	97597	26"	1,405	19,186
CC3725E3-26	Leeson®	25 HP, 575V-3PH	Electric	Single	5800447C	03783	26"	1,405	19,186
CC3725E3-30	Leeson®	25 HP, 230V-3PH	Electric	Single	5800448A	32087	30"	1,415	19,471
CC3725E3-30	Leeson®	25 HP, 460V-3PH	Electric	Single	5800448B	03797	30"	1,415	19,471
CC3725E3-30	Leeson®	25 HP, 575V-3PH	Electric	Single	5800448C	03805	30"	1,415	19,471
CC3725E3-36	Leeson®	25 HP, 230V-3PH	Electric	Single	5800449A	07716	36"	1,425	19,721
CC3725E3-36	Leeson®	25 HP, 460V-3PH	Electric	Single	5800449B	03811	36"	1,425	19,721
CC3725E3-36	Leeson®	25 HP, 575V-3PH	Electric	Single	5800449C	03829	36"	1,425	19,721
CC3730E3-14	Baldor®	30 HP, 460V - 3PH	Electric	Single	5800381A	14300	14"	1,435	19,436
CC3730E3-20	Baldor®	30 HP, 460V - 3PH	Electric	Single	5800382A	97788	20"	1,325	19,607
CC3730E3-26	Baldor®	30 HP, 460V - 3PH	Electric	Single	5800383A	99455	26"	1,455	19,868
CC3730E3-30	Baldor®	30 HP, 460V - 3PH	Electric	Single	5800384A	15225	30"	1,345	20,129
CC3730E3-36	Baldor®	30 HP, 460V - 3PH	Electric	Single	5800385A	60786	36"	1,425	20,385
CC3730E3-3-14	Baldor®	30 HP, 460V - 3PH	Electric	3-Speed	5801080A	45113	14"	1,425	28,280
CC3730E3-3-14	Baldor®	30 HP, 575V - 3PH	Electric	3-Speed	5801080B	45114	14"	1,535	28,596
CC3730E3-3-20	Baldor®	30 HP, 460V - 3PH	Electric	3-Speed	5801081A	45115	20"	1,535	28,320
CC3730E3-3-20	Baldor®	30 HP, 575V - 3PH	Electric	3-Speed	5801081B	45117	20"	1,545	28,636
CC3730E3-3-26	Baldor®	30 HP, 460V - 3PH	Electric	3-Speed	5801082A	44435	26"	1,545	28,419
CC3730E3-3-26	Baldor®	30 HP, 575V - 3PH	Electric	3-Speed	5801082B	45118	26"	1,405	28,735
CC3730E3-3-30	Baldor®	30 HP, 460V - 3PH	Electric	3-Speed	5801083A	45119	30"	1,555	28,442
CC3730E3-3-30	Baldor®	30 HP, 575V - 3PH	Electric	3-Speed	5801083B	45123	30"	1,565	28,757
CC3730E3-3-36	Baldor®	30 HP, 460V - 3PH	Electric	3-Speed	5801084A	45124	36"	1,565	28,593
CC3730E3-3-36	Baldor®	30 HP, 575V - 3PH	Electric	3-Speed	5801084B	45125	36"	1,575	28,908
CC3730E3-3-42	Baldor®	30 HP, 460V - 3PH	Electric	3-Speed	5801085A	45126	42"	1,575	28,777
CC3730E3-3-42	Baldor®	30 HP, 575V - 3PH	Electric	3-Speed	5801085B	45127	42"	1,575	29,093
CC3740E3-20	Baldor®	40 HP, 460V-3PH	Electric	Single	5800436A	50871	20"	1,435	20,129
CC3740E3-26	Baldor®	40 HP, 460V-3PH	Electric	Single	5800437A	97350	26"	1,325	20,398
CC3740E3-30	Baldor®	40 HP, 460V-3PH	Electric	Single	5800438A	99107	30"	1,455	20,666
CC3740E3-36	Baldor®	40 HP, 460V-3PH	Electric	Single	5800439A	10497	36"	1,345	20,938
CC3740E3-3-14	Baldor®	40 HP, 460V-3PH	Electric	3-Speed	5801086A	45128	14"	1,425	29,146
CC3740E3-3-14	Baldor®	40 HP, 575V-3PH	Electric	3-Speed	5801086B	45129	14"	1,425	29,190
CC3740E3-3-20	Baldor®	40 HP, 460V-3PH	Electric	3-Speed	5801087A	45130	20"	1,535	29,123
CC3740E3-3-20	Baldor®	40 HP, 575V-3PH	Electric	3-Speed	5801087B	45131	20"	1,535	29,168
CC3740E3-3-26	Baldor®	40 HP, 460V-3PH	Electric	3-Speed	5801088A	45134	26"	1,545	29,286
CC3740E3-3-26	Baldor®	40 HP, 575V-3PH	Electric	3-Speed	5801088B	45135	26"	1,545	29,326
CC3740E3-3-30	Baldor®	40 HP, 460V-3PH	Electric	3-Speed	5801089A	42266	30"	1,405	29,246
CC3740E3-3-30	Baldor®	40 HP, 575V-3PH	Electric	3-Speed	5801089B	45137	30"	1,555	29,289
CC3740E3-3-36	Baldor®	40 HP, 460V-3PH	Electric	3-Speed	5801090A	44357	36"	1,565	29,459
CC3740E3-3-36	Baldor®	40 HP, 575V-3PH	Electric	3-Speed	5801090B	45138	36"	1,565	29,501
CC3740E3-3-42	Baldor®	40 HP, 460V-3PH	Electric	3-Speed	5801091A	45141	42"	1,575	29,581
CC3740E3-3-42	Baldor®	40 HP, 575V-3PH	Electric	3-Speed	5801091B	45143	42"	1,575	29,624

CC3700E OPTIONS

Description	Part #	Cat #	List Price
Water Safety Switch	6047932	47451	\$168
Water Pump (electric)	6011032	02506	505
Parking Brake	6011228	81191	421
Spot Light	6010112	02427	186
Shaft Tachometer	6012168	06788	864
Spot Light Kit for Soft Start Electric Models	6012182	27477	276
Blade spacing kit-5" flange (for blades 1-1/2" apart)	6010630A	23186	932
Blade spacing kit-5" flange (for blades 2" apart)	6010631A	23187	982
Blade spacing kit-5" flange (for blades 4" apart)	6010632A	16558	1,160
Lowering Speed Metering Valve	6010227	02480	296
Soft Start Controller Add On for 230/460 volt*	6012187A	14310	4,489
Soft Start Controller Add On for 575 volt**	6012187B	14311	4,489
DC Travel 230/460V for saws without soft start*	6011620	67929	2,701
DC Travel 230/460V for saws with soft start**	6011622	22427	2,758
DC Travel 230/460V for saws w/soft start alternator kit	6011623	33640	4,237

* For electric saws-factory installed.

CC3700E BLADE GUARDS

Description	Part #	Cat #	List Price
14" Tapered Mount Blade Guard	6010950	20011	\$453
20" Tapered Mount Blade Guard	6010952	08213	673
26" Tapered Mount Blade Guard	6010954	19322	868
30" Tapered Mount Blade Guard	6010956	20456	1,071
36" Tapered Mount Blade Guard	6010958	13375	1,203
42" Tapered Mount Blade Guard	6010960	08216	1,359

CC3700E 3-SPEED RPM

Blade Size	Blade RPM	Gear Setting High, Med, Low	Max Cut Depth
14"	2,925	H	3-3/4"
20"	2,520	H	6-3/4"
26"	1,950	M	9-3/4"
30"	1,680	M	11-3/4"
36"	1,300	L	14-3/4"
42"	1,120	L	17-3/4"

CC5555GK REAR PIVOT SAW

**REAR-PIVOT,
THREE SPEED**



CC5555GK Control Panel

Detailed control panel for easy operator use. Electronic engine controls for clean running and lower operating costs.

Powered By:



MADE IN THE U.S.A.

Blade not included

14"-36" Blade Capacity

Gasoline

Features & Benefits:

- Kubota® liquid-cooled gasoline WG1605 LSI engine that is fully complaint with EPA regulations
- Murphy PV480, 4.3" controller display
- Easy to maneuver rear-pivot self-propelled drive
- 4-position handlebar setup (0°, 15°, 30°, 45°)
- 3-Speed gear box standard
- Pull/twist-lock for rear positraction and transmission neutral
- Quick release blade shaft & flange
- Heavy duty crated steel frame base for increased rigidity
- Square tube skeletal upright frame for improved strength
- Removable access panels for easy, access to speed routine maintenance
- Electronic depth display and stop function
- Toggle switch throttle control

CC5555 SPECIFICATIONS

Max. Depth of Cut with 14" Blade	3-3/4"
Max. Depth of Cut with 20" Blade	6-3/4"
Max. Depth of Cut with 26" Blade	9-3/4"
Max. Depth of Cut with 30" Blade	11-3/4"
Max. Depth of Cut with 36" Blade	14-3/4"
Arbor Size	1" with single drive pin
Blade Shaft Drive	7 belts
Blade Mounting	Right or Left
Blade Raise/Lower	Electro-hydraulic pump
Fuel Tank	5.5 gallon with digital fuel display
Transmission	Eaton Model 7
Drive Speed	0-368 feet per minute
Includes	Blade shaft tachometer, Hour meter, Frame lift, Cutting depth indicator, Quick disconnect blade flanges, Telescoping front pointer, GM gel battery, Removable panels

CC5555GK REAR PIVOT WALK BEHIND GAS SAW (3-Speed)

Model #	Engine/Motor Make/Model	Engine/Motor Power	Power Source	Part #	Cat #	Blade Capacity	Product Weight (lbs.)	List Price
CC5555GK-3-14	Kubota® WG1605	57 HP	Gas	5802300	84977	14"	1,390	\$35,435
CC5555GK-3-20	Kubota® WG1605	57 HP	Gas	5802301	84978	20"	1,400	35,485
CC5555GK-3-26	Kubota® WG1605	57 HP	Gas	5802302	56861	26"	1,410	35,525
CC5555GK-3-30	Kubota® WG1605	57 HP	Gas	5802303	84985	30"	1,420	35,620
CC5555GK-3-36	Kubota® WG1605	57 HP	Gas	5802304	56912	36"	1,430	35,730

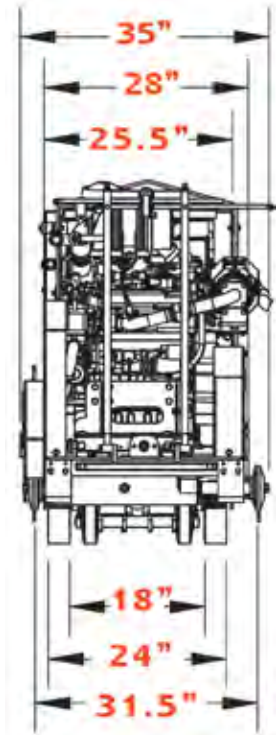
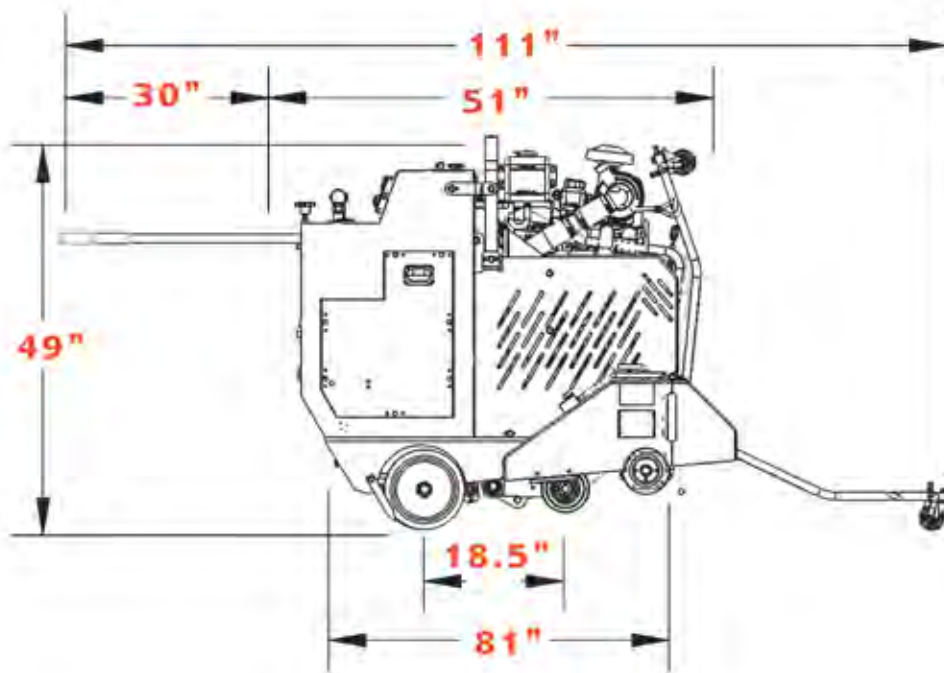
57 Hp (@ 3600 RPM) Kubota® liquid-cooled engine Horsepower and torque as rated by the engine manufacturer.

CC5555GK OPTIONS

Description	Part #	Cat #	List Price
Water Pump (electric)	6011032	02506	\$505
Spot Light	6010112	02427	186
Shaft Tachometer	6012168	06788	864
Blade spacing kit-5" flange (for blades 1-1/2" apart)	6010630A	23186	932
Blade spacing kit-5" flange (for blades 2" apart)	6010631A	23187	982
Blade spacing kit-5" flange (for blades 4" apart)	6010632A	16558	1,160
Lowering Speed Metering Valve	6010227	02480	296

CC5555GK BLADE GUARDS

Description	Part #	Cat #	List Price
14" Straight Mounted Blade Guard	6045424	7727	\$423
20" Straight Mounted Blade Guard	6045420	36388	767
26" Straight Mounted Blade Guard	6045421	36387	767
30" Straight Mounted Blade Guard	6056670	21487	825
36" Straight Mounted Blade Guard	6056671	25835	1,025



CC6561GK LARGE GAS SAW

**Power, Reliability
& Convenience**



CC6561GK Control Panel

Detailed control panel for easy operator use. Electronic engine controls for clean running and lower operating costs.

Powered By:



MADE IN THE U.S.A.

Blade not included

14"-42" Blade Capacity Gasoline

Features & Benefits:

- Liquid-cooled Kubota® gasoline WG2503, spark ignited industrial 61HP engine that is fully compliant with EPA regulations
- Self-propelled Eaton Model 10 transmission
- Fits through a 36" door frame
- Strongest frame on the market
- Developed on an industrial diesel engine platform
- Very low noise and vibration
- Electronic fuel injection
- Modern computer engine controls (same as the CC6571D).
- 3-way catalytic muffler that meets the latest EPA & CARB emission requirements
- Specifications similar to CC6549D, but with more power and less noise, vibration and fumes

CC6561GK SPECIFICATIONS

Max. Depth of Cut with 14" Blade	4-1/2" (3-3/4" 3-speed)
Max. Depth of Cut with 20" Blade	7-1/2" (6-3/4" 3-speed)
Max. Depth of Cut with 26" Blade	10-1/2" (9-3/4" 3-speed)
Max. Depth of Cut with 30" Blade	11-3/4" (11-3/4" 3-speed)
Max. Depth of Cut with 36" Blade	14-3/4" (14-3/4" 3-speed)
Max. Depth of Cut with 42" Blade	17-3/4" (17-3/4" 3-speed)
Blade Shaft Diameter	2"
Arbor Size	1" with single drive pin
Blade Shaft Drive	10 belts
Blade Mounting	Right or Left
Blade Raise/Lower	Electro-hydraulic pump
Transmission	Eaton Model 10
Drive Speed	0-200 feet per minute
Air Filter	4-stage
Fuel Capacity	9 gallons

Includes:

- | | |
|--------------------------------|---------------------------|
| Blade shaft tachometer | Hour meter |
| Frame lift | Telescoping front pointer |
| Parking brake | Cutting depth indicator |
| Quick disconnect blade flanges | Oil bath blade shaft |

CC6561GK KUBOTA GAS WALK BEHIND SAWS-61HP

Model #	Engine Make	Engine Power	Power Source	Speeds	Part #	Cat #	Product Weight (lbs.)	Blade Capacity	List Price
CC6561GK-14	Kubota® WG2503	61 HP	Gasoline	Single	5801180	75242	1,814	14"	\$32,914
CC6561GK-20	Kubota® WG2503	61 HP	Gasoline	Single	5801181	75241	1,829	20"	33,003
CC6561GK-26	Kubota® WG2503	61 HP	Gasoline	Single	5801182	48097	1,847	26"	33,092
CC6561GK-30	Kubota® WG2503	61 HP	Gasoline	Single	5801183	74109	1,848	30"	33,164
CC6561GK-36	Kubota® WG2503	61 HP	Gasoline	Single	5801184	75243	1,864	36"	33,303
CC6561GK-42	Kubota® WG2503	61 HP	Gasoline	Single	5801185	75245	1,884	42"	33,513
CC6561GK-3-14	Kubota® WG2503	61 HP	Gasoline	3-Speed (14"/26"/36")	5801190	75246	1,941	14"	37,187
CC6561GK-3-20	Kubota® WG2503	61 HP	Gasoline	3-Speed (20"/30"/42")	5801191	75249	1,949	20"	37,252
CC6561GK-3-26	Kubota® WG2503	61 HP	Gasoline	3-Speed (14"/26"/36")	5801192	75251	1,967	26"	37,318
CC6561GK-3-30	Kubota® WG2503	61 HP	Gasoline	3-Speed (20"/30"/42")	5801193	75252	1,968	30"	37,346
CC6561GK-3-36	Kubota® WG2503	61 HP	Gasoline	3-Speed (14"/26"/36")	5801194	75254	1,984	36"	37,473
CC6561GK-3-42	Kubota® WG2503	61 HP	Gasoline	3-Speed (20"/30"/42")	5801195	75255	2,004	42"	37,664

Horsepower and torque as rated by the engine manufacturer.

CC6561GK SINGLE SPEED RPM

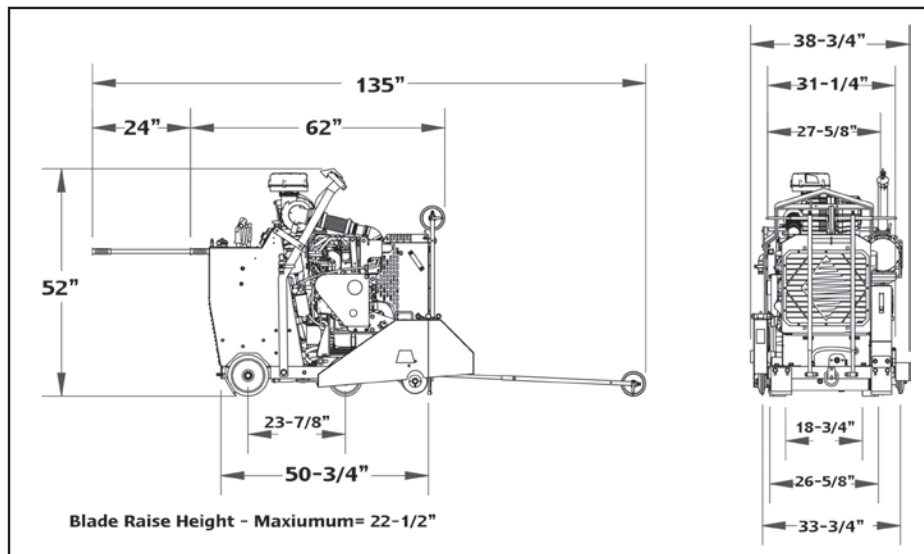
Blade Size	Blade RPM	Max Cut Depth
14"	2700	4-1/2"
20"	2400	7-1/2"
26"	1950	10-1/2"
30"	1700	11-3/4"
36"	1400	14-3/4"
42"	1200	17-3/4"

CC6561GK 3-SPEED RPM

Blade Size	Blade RPM	Gear Setting High, Med, Low	Max Cut Depth
14"	2700	H	3-3/4"
20"	2550	H	6-3/4"
26"	1775	M	9-3/4"
30"	1675	M	11-3/4"
36"	1175	L	14-3/4"
42"	1100	L	17-3/4"

CC6561GK OPTIONS

Description	Part #	Cat #	List Price
Water Safety Switch	6010522	67821	\$168
Water Pump (electric)	6011032	02506	505
Spot Light	6010112	02427	186
Lowering Speed Metering Valve	6010227	02480	296
Blade stacking kit-4-1/2" flange (for blades 1-1/2" apart)	6010630A	23186	932
Blade spacing kit-4-1/2" flange (for blades 2" apart)	6010631A	23187	982
Blade spacing kit-4-1/2" flange (for blades 4" apart)	6010632A	16558	1,160
14" Tapered Mount Blade Guard	6010950	20011	453
20" Tapered Mount Blade Guard	6010952	08213	673
26" Tapered Mount Blade Guard	6010954	19322	868
30" Tapered Mount Blade Guard	6010956	20456	1,071
36" Tapered Mount Blade Guard	6010958	13375	1,203
42" Tapered Mount Blade Guard	6010960	08216	1,359



CC6571D LIQUID COOLED SAW

Cool Running, Fuel Efficient and
Reliable 71 HP Kubota® Diesel



Blade not included



Tier 4 Final

Powered By:

Kubota

CC6571D Saw

14"-42" Blade Capacity

Diesel

Features & Benefits:

- Tier 4 Final liquid-cooled engine allows for a smoother running, longer lasting saw with higher productivity
- Easy to maneuver self propelled drive
- Strongest frame on the market
- Less rear weight for easy maneuvering and reduced operator fatigue
- Oil bath blade shaft comes standard
- One-hand sawing control and parking brake
- Fits through a 36" wide door frame (when guard is removed)
- Quick release blade flange
- Blade shaft tachometer-where it's needed-not at the engine, gives true blade speed

CC6571D SPECIFICATIONS

Max. Depth of Cut with 14" Blade	4-1/2" (3-3/4" 3-speed)
Max. Depth of Cut with 20" Blade	7-1/2" (6-3/4" 3-speed)
Max. Depth of Cut with 26" Blade	10-1/2" (9-3/4" 3-speed)
Max. Depth of Cut with 30" Blade	11-3/4" (11-3/4" 3-speed)
Max. Depth of Cut with 36" Blade	14-3/4" (14-3/4" 3-speed)
Max. Depth of Cut with 42" Blade	17-3/4" (17-3/4" 3-speed)
Blade Shaft Diameter	2"
Arbor Size	1" with single drive pin
Blade Shaft Drive	10 belts
Blade Mounting	Right or Left
Blade Raise/Lower	Electro-hydraulic pump
Transmission	Eaton Model 10
Drive Speed	0-200 feet per minute
Air Filter	4-stage
Fuel Capacity	9 gallons

Includes

Blade shaft tachometer, Hour meter, Frame lift, Telescoping front pointer, Parking brake, Cutting depth indicator, Quick disconnect blade flanges, Oil bath blade shaft

CC6571D DIESEL LIQUID COOLED WALK BEHIND SAW

Saw Model #	Engine/Motor Make	Speeds	Engine/Motor Power	Power Source	Blade Capacity	Part #	Cat #	Product Weight (lbs.)	List Price
CC6571D-14	Kubota®	Single	71 HP	Diesel	14"	5801160	55603	1,825	\$39,496
CC6571D-20	Kubota®	Single	71 HP	Diesel	20"	5801161	55625	1,835	39,605
CC6571D-26	Kubota®	Single	71 HP	Diesel	26"	5801162	43504	1,848	39,711
CC6571D-30	Kubota®	Single	71 HP	Diesel	30"	5801163	54080	1,852	39,798
CC6571D-36	Kubota®	Single	71 HP	Diesel	36"	5801164	41741	1,855	39,964
CC6571D-42	Kubota®	Single	71 HP	Diesel	42"	5801165	55633	1,905	40,216
CC6571D-3-14	Kubota®	3-Speed (14"/26"/36")	71 HP	Diesel	14"	5801170	59044	1,815	44,625
CC6571D-3-20	Kubota®	3-Speed (20"/30"/42")	71 HP	Diesel	20"	5801171	55695	1,825	44,702
CC6571D-3-26	Kubota®	3-Speed (14"/26"/36")	71 HP	Diesel	26"	5801172	43503	1,835	44,782
CC6571D-3-30	Kubota®	3-Speed (20"/30"/42")	71 HP	Diesel	30"	5801173	55713	1,845	44,814
CC6571D-3-36	Kubota®	3-Speed (14"/26"/36")	71 HP	Diesel	36"	5801174	55728	1,850	44,968
CC6571D-3-42	Kubota®	3-Speed (20"/30"/42")	71 HP	Diesel	42"	5801175	55729	1,894	45,197

Horsepower and torque as rated by the engine manufacturer.

CC6571D SINGLE SPEED RPM

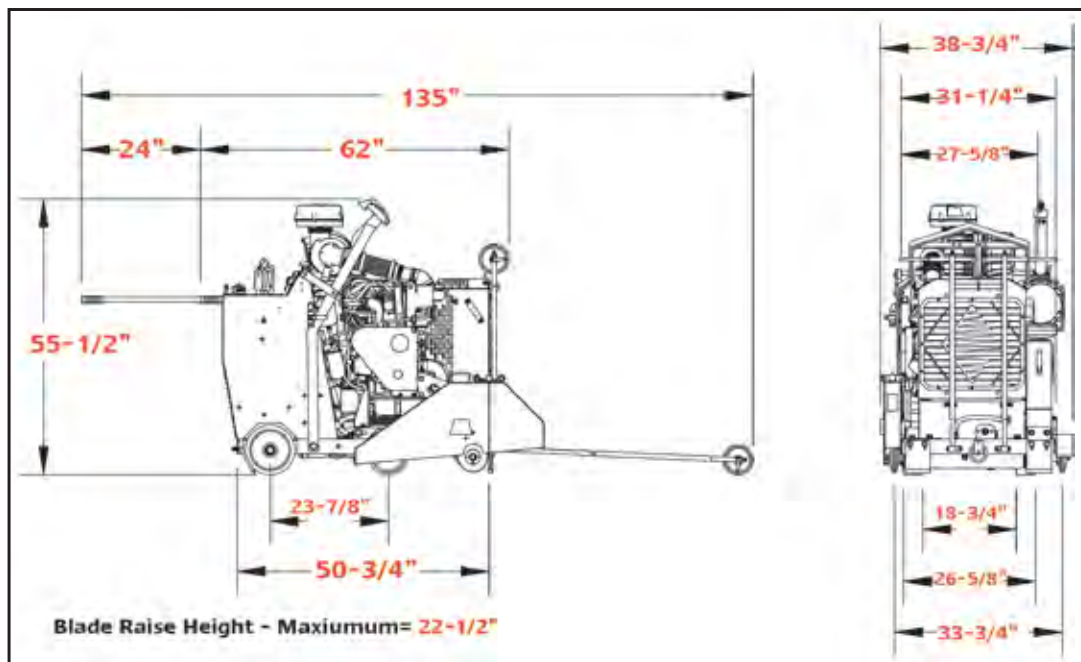
Blade Size	Blade RPM	Max Cut Depth
14"	2,700	4-1/2"
20"	2,400	7-1/2"
26"	1,950	10-1/2"
30"	1,700	11-3/4"
36"	1,400	14-3/4"
42"	1,200	17-3/4"

CC6571D 3-SPEED RPM

Blade Size	Blade RPM	Gear Setting High, Med, Low	Max Cut Depth
14"	2,700	H	3-3/4"
20"	2,550	H	6-3/4"
26"	1,775	M	9-3/4"
30"	1,675	M	11-3/4"
36"	1,175	L	14-3/4"
42"	1,100	L	17-3/4"

CC6571D OPTIONS

Description	Part #	Cat #	List Price
Water Safety Switch	6010522	67821	\$168
Water Pump (electric)	6011032	02506	505
Spot Light	6010112	02427	186
Lowering Speed Metering Valve	6010227	02480	296
Blade stacking kit-4-1/2" flange (for blades 1-1/2" apart) 20" Max.	6010630A	23186	932
Blade spacing kit-4-1/2" flange (for blades 2" apart) 20" Max.	6010631A	23187	982
Blade spacing kit-4-1/2" flange (for blades 4" apart) 20" Max.	6010632A	16558	1,160
14" Tapered Mount Blade Guard	6010950	20011	453
20" Tapered Mount Blade Guard	6010952	08213	673
26" Tapered Mount Blade Guard	6010954	19322	868
30" Tapered Mount Blade Guard	6010956	20456	1,071
36" Tapered Mount Blade Guard	6010958	13375	1,203
42" Tapered Mount Blade Guard	6010960	08216	1,359



CC7574DD IN-LINE SAW



MADE IN THE U.S.A.

Increased Production, Lower Maintenance Costs and Better Fuel Efficiency



CC7574DD Control Panel

Detailed control instructions and computer readout for blade speed and engine setting.



Tier 4 Final

Powered By:



Blade not included

20"-48" Blade Capacity

Diesel

Features & Benefits:

- Tier 4 Final Deutz® diesel engine
- Available with enhanced clutch assembly that allows the blade to be disengaged while the engine is running (single speed only)
- Easy maneuvering self propelled drive
- Strongest frame on the market
- Hydraulic wheel motor drive
- Blade shaft gearbox-oil bath for low maintenance
- Maintenance-free DVERT® diesel oxidation catalytic converter (DOC-only, no DPF).
- High pressure common rail electronic fuel injection.
- Modern computer interface engine controls

CC7574DD SPECIFICATIONS	
Max. Depth of Cut with 20" Blade	7-1/4" (5" flange)
Max. Depth of Cut with 26" Blade	10-1/4" (5" flange)
Max. Depth of Cut with 30" Blade	12-1/4" (5" flange)
Max. Depth of Cut with 36" Blade	14-3/4" (6" flange)
Max. Depth of Cut with 42" Blade	17-1/4" (7" flange)
Max. Depth of Cut with 48" Blade	19-3/4" (8" flange)
Engine Brand	Deutz® Turbo Diesel
Engine Specification	4-Cylinder, 3.3 Liter
Max. Engine Power	74.3HP at 2600 RPM
Power at the Blade Shaft	74 Horsepower
Emission Regulation	EPA Tier 4 Final Compliant
Blade Shaft Diameter	2"
Arbor Size	1" with single drive pin
Blade Shaft Bearings	Multiple ball bearings in oil bath
Blade Shaft Drive	20 V-belts
Blade Mounting	Right or Left
Blade Raise/Lower	Electro-hydraulic pump
Transmission	Hydro pump powering dual wheel motors
Drive Speed	0-250 feet per minute
Air Filter	4-stage with restriction indicator
Fuel Capacity	9 gallons

CC7574DD Saw

CC7574DD IN-LINE DIESEL WALK BEHIND SAWS

Model #	Engine Make	Speeds	Engine Power	Power Source	Part #	Cat #	Product Weight (lbs.)	Blade Capacity	List Price
CC7574DD-20	Deutz® Turbo	Single	74 HP	Diesel	5801256	75010	2,210	20"	\$45,175
CC7574DD-26	Deutz® Turbo	Single	74 HP	Diesel	5801257	75012	2,228	26"	45,257
CC7574DD-30	Deutz® Turbo	Single	74 HP	Diesel	5801258	74116	2,229	30"	45,363
CC7574DD-36	Deutz® Turbo	Single	74 HP	Diesel	5801259	75013	2,245	36"	45,866
CC7574DD-42	Deutz® Turbo	Single	74 HP	Diesel	5801260	75015	2,265	42"	46,107
CC7574DD-48	Deutz® Turbo	Single	74 HP	Diesel	5801261	75016	2,274	48"	46,994
CC7574DDC-20	Deutz® Turbo w/Clutch	Single w/clutch	74 HP	Diesel	5801262	75021	2,240	20"	48,730
CC7574DDC-26	Deutz® Turbo w/Clutch	Single w/clutch	74 HP	Diesel	5801263	75024	2,258	26"	48,810
CC7574DDC-30	Deutz® Turbo w/Clutch	Single w/clutch	74 HP	Diesel	5801264	75026	2,259	30"	48,914
CC7574DDC-36	Deutz® Turbo w/Clutch	Single w/clutch	74 HP	Diesel	5801265	75027	2,275	36"	49,418
CC7574DDC-42	Deutz® Turbo w/Clutch	Single w/clutch	74 HP	Diesel	5801266	75028	2,295	42"	49,619
CC7574DDC-48	Deutz® Turbo w/Clutch	Single w/clutch	74 HP	Diesel	5801267	75029	2,304	48"	50,505
CC7574DD-3-30	Deutz® Turbo	3-Speed (20"/26"/30")	74 HP	Diesel	5801268	74128	2,384	30"	50,545
CC7574DD-3-36	Deutz® Turbo	3-Speed (20"/30"/36")	74 HP	Diesel	5801269	75017	2,400	36"	50,841
CC7574DD-3-42	Deutz® Turbo	3-Speed (26"/36"/42")	74 HP	Diesel	5801270	75018	2,420	42"	50,849
CC7574DD-3-48	Deutz® Turbo	3-Speed (30"/42"/48")	74 HP	Diesel	5801271	75019	2,429	48"	51,736

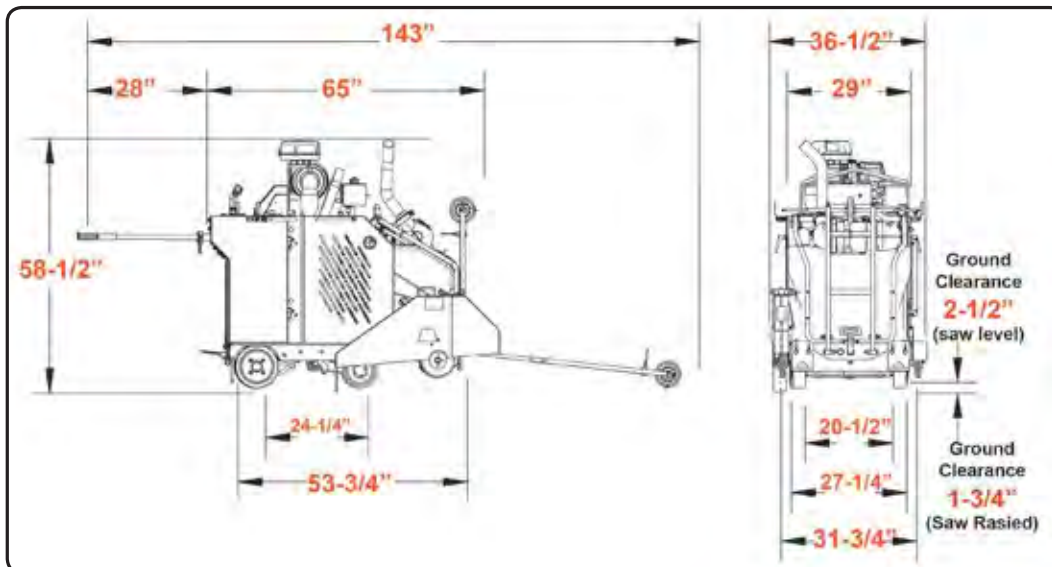
Horsepower and torque as rated by the engine manufacturer.

CC7574DD SINGLE SPEED RPM		
Blade Size	Blade RPM	Max Cut Depth
20"	2,500	7-1/2"
26"	2,100	10-1/2"
30"	1,800	11-3/4"
36"	1,500	14-3/4"
42"	1,300	17-3/4"
48"	1,050	19-3/4"

CC7574DD 3-SPEED RPM			
Blade Size	Blade RPM	Gear Setting High, Med, Low	Max Cut Depth
20"	2,500	H	6-3/4"
26"	1,925	M	9-3/4"
30"	1,800	M	11-3/4"
36"	1,300	L	14-3/4"
42"	1,200	L	17-3/4"
48"	1,000	L	19-3/4"

CC7574DD OPTIONS & BLADE GUARDS			
Description	Part #	Cat #	List Price
Water Pump (electric)	6017183	21337	\$434
Weight Kit (55 lbs.)*	6017428	61641	343
20" Tapered Mount Blade Guard	6010952	08213	673
26" Tapered Mount Blade Guard	6010954	19322	868
30" Tapered Mount Blade Guard	6010956	20456	1,071
36" Tapered Mount Blade Guard	6010958	13375	1,203
42" Tapered Mount Blade Guard	6010960	08216	1,359
48" Tapered Mount Blade Guard	6010962	24618	1,518

* Standard on CC7574DD-48



CC7574DK IN-LINE SAW



MADE IN THE U.S.A.

Increased Production, Lower Maintenance Costs and Better Fuel Efficiency



Blade not included



CC7574DK Control Panel

Detailed control instructions and computer readout for blade speed and engine setting.



Tier 4 Final

Powered By:



CC7574DK Saw

20"-48" Blade Capacity

Diesel

Features & Benefits:

- Tier 4 Final Kubota® diesel engine
- Self-propelled Eaton Model 10 transmission
- Available with enhanced clutch assembly that allows the blade to be disengaged while the engine is running (single speed only)
- Strongest frame on the market
- Hydraulic wheel motor drive
- Blade shaft gearbox-oil bath for low maintenance
- High pressure common rail electronic fuel injection.
- Modern computer interface engine controls

CC7574DK SPECIFICATIONS

Max. Depth of Cut with 20" Blade	7-1/4" (5" flange)
Max. Depth of Cut with 26" Blade	10-1/4" (5" flange)
Max. Depth of Cut with 30" Blade	12-1/4" (5" flange)
Max. Depth of Cut with 36" Blade	14-3/4" (6" flange)
Max. Depth of Cut with 42" Blade	17-1/4" (7" flange)
Max. Depth of Cut with 48" Blade	19-3/4" (8" flange)
Engine Brand	Kubota® Turbo Diesel
Engine Specification	4-Cylinder, 3.3 Liter
Max. Engine Power	74.5HP at 2600 RPM
Power at the Blade Shaft	70 Horsepower
Emission Regulation	EPA Tier 4 Final Compliant
Blade Shaft Diameter	2"
Arbor Size	1" with single drive pin
Blade Shaft Bearings	Multiple ball bearings in oil bath
Blade Shaft Drive	20 V-belts, 4 power bands
Blade Mounting	Right or Left
Blade Raise/Lower	Electro-hydraulic pump
Transmission	Hydro pump powering dual wheel motors
Drive Speed	0-250 feet per minute
Air Filter	4-stage with restriction indicator
Fuel Capacity	9 gallons

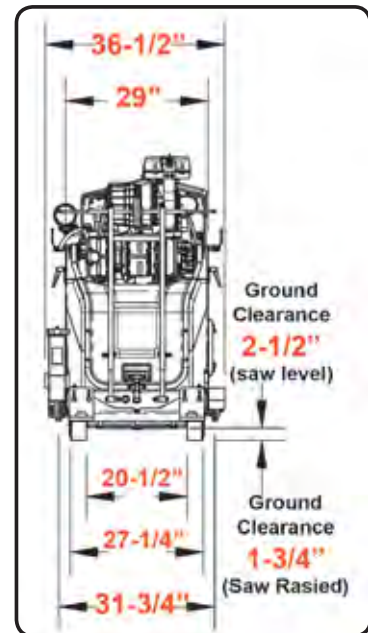
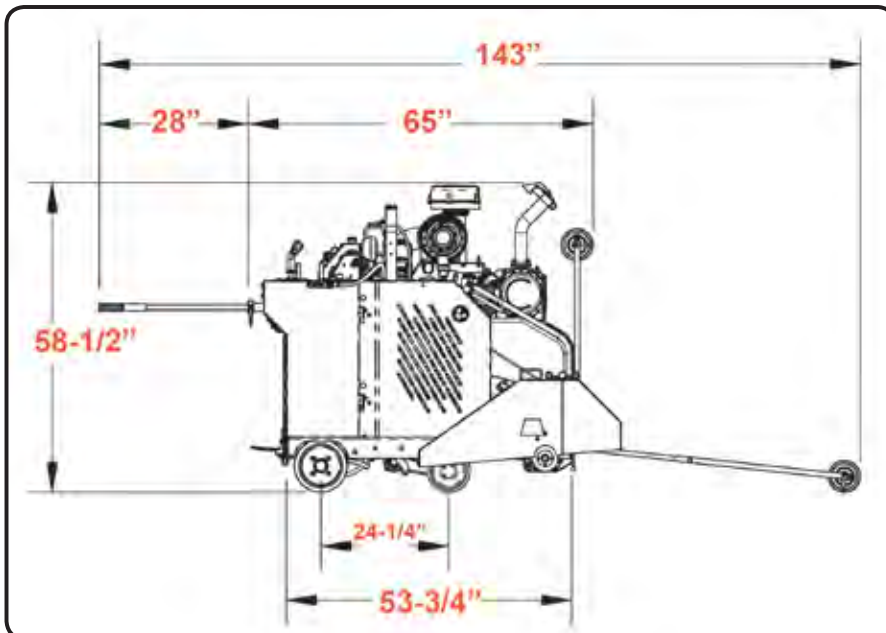
CC7574DK IN-LINE KUBOTA DIESEL WALK BEHIND SAWS

Model #	Engine Make	Speeds	Engine Power	Power Source	Part #	Cat #	Product Weight (lbs.)	Blade Capacity	List Price
CC7574DK-20	Kubota® Turbo	Single	74 HP	Diesel	5801240	75039	2,210	20"	\$45,175
CC7574DK-26	Kubota® Turbo	Single	74 HP	Diesel	5801241	75041	2,228	26"	45,257
CC7574DK-30	Kubota® Turbo	Single	74 HP	Diesel	5801242	72404	2,229	30"	45,363
CC7574DK-36	Kubota® Turbo	Single	74 HP	Diesel	5801243	75042	2,245	36"	45,866
CC7574DK-42	Kubota® Turbo	Single	74 HP	Diesel	5801244	75044	2,265	42"	46,107
CC7574DK-48	Kubota® Turbo	Single	74 HP	Diesel	5801245	75045	2,274	48"	46,994
CC7574DKC-20	Kubota® Turbo w/Clutch	Single w/clutch	74 HP	Diesel	5801246	74108	2,240	20"	48,730
CC7574DKC-26	Kubota® Turbo w/Clutch	Single w/clutch	74 HP	Diesel	5801247	75053	2,258	26"	48,810
CC7574DKC-30	Kubota® Turbo w/Clutch	Single w/clutch	74 HP	Diesel	5801248	75056	2,259	30"	48,914
CC7574DKC-36	Kubota® Turbo w/Clutch	Single w/clutch	74 HP	Diesel	5801249	75057	2,275	36"	49,418
CC7574DKC-42	Kubota® Turbo w/Clutch	Single w/clutch	74 HP	Diesel	5801250	75060	2,295	42"	49,619
CC7574DKC-48	Kubota® Turbo w/Clutch	Single w/clutch	74 HP	Diesel	5801251	75062	2,304	48"	50,505
CC7574DK-3-30	Kubota® Turbo	3-Speed (20"/26"/30")	74 HP	Diesel	5801252	75046	2,384	30"	50,545
CC7574DK-3-36	Kubota® Turbo	3-Speed (20"/30"/36")	74 HP	Diesel	5801253	75047	2,400	36"	50,841
CC7574DK-3-42	Kubota® Turbo	3-Speed (26"/36"/42")	74 HP	Diesel	5801254	75049	2,420	42"	50,849
CC7574DK-3-48	Kubota® Turbo	3-Speed (30"/42"/48")	74 HP	Diesel	5801255	75051	2,429	48"	51,736

CC7574DK SINGLE SPEED RPM		
Blade Size	Blade RPM	Max Cut Depth
20"	2,300	7-1/4"
26"	1,875	10-1/4"
30"	1,675	12-1/4"
36"	1,375	14-3/4"
42"	1,125	17-1/4"
48"	1,000	19-3/4"

CC7574DK OPTIONS & BLADE GUARDS			
Description	Part #	Cat #	List Price
Water Pump (electric)	6017547	75069	\$398
Weight Kit (55 lbs.)*	6017428	61641	343
20" Tapered Mount Blade Guard	6010952	08213	673
26" Tapered Mount Blade Guard	6010954	19322	868
30" Tapered Mount Blade Guard	6010956	20456	1,071
36" Tapered Mount Blade Guard	6010958	13375	1,203
42" Tapered Mount Blade Guard	6010960	08216	1,359
48" Tapered Mount Blade Guard	6010962	24618	1,518

* Standard on CC7574DK-48



CC9074DK DEEP CUT SAW



MADE IN THE U.S.A.



Tier 4 Final

Powered By:



Blade not included

CC9074D Control Panel

Detailed control instructions and computer readout for blade speed and engine setting. Can automatically fold down to protect the screen.



60" Blade Capacity

Diesel

Features & Benefits:

- Tier 4 Final Kubota® diesel engine
- Advanced digital 7" display with engine service alerts and maintenance reminders
- Front view camera to view sawing location/obstructions
- LED spot and bar lights for night sawing
- Auto Water System (AWS) automatically starts/stops water to blade when in/out of cut
- Undercarriage slurry flap to minimize slurry buildup on rear axle components
- Effective weight balance for balanced optimum performance
- Fast attach blade guard stabilizer with quick disconnect ball joints to speed guard removal
- Easy-turn 5th wheel that automatically lifts rear wheels at max raise height to allow rear saw swivel
- Enclosed rear wheel motors that are hydraulic driven with center swivel for easy tracking adjustment
- Simple freewheeling with dash mounted switch activation
- Robust blade shaft with massive support by 3 pillow block style, spherical roller bearings
- Powerful Jackshaft drive with low speed, high torque blade drive maximizing full engine power
- Advanced air cleaner with radial seal primary and secondary filters along with spinner style pre-cleaner
- Robust radiator core made of heavy duty aluminum that withstands frequent power washing
- Sealed electronic protection that resists heat, moisture, shock and vibration
- Single piece frame platform with heavy bar and tubular reinforcement

CC9074DK SPECIFICATIONS	
Max. Depth of Cut w/ 36" Blade	15" (6" flange)
Max. Depth of Cut w/ 42" Blade	17-1/2" (7" flange)
Max. Depth of Cut w/ 48" Blade	20" (8" flange)
Max. Depth of Cut w/ 54" Blade	22-1/2" (9" flange)
Max. Depth of Cut w/ 60" Blade	25" (10" flange)
Engine Brand/Model	Kubota® Turbo Diesel
Engine Specification	4-Cylinder, 3.3 Liter
Max Engine Power	74.3 hp @ 2600 rpm (Kubota rating)
Peak Torque	195.5 Ft-Lbs (265 Nm) @ 1500 rpm
Blade Arbor Size	1" diameter with drive pin
Blade Flange Type	Quick disconnect
Blade Shaft	1-3/4" OD with left/right side mounting, 3 pillow blocks with spherical roller bearings
Blade Shaft Drive	Kevlar V-Belts Engine: 10 to Jackshaft: 20
Blade Raise & Lower	Electro-hydraulic power unit with push button control
Blade Depth Control	Electronic depth indicator and depth stop
Fifth Wheel	3-1/4" x 2" poly tread swivel lock caster
Drive Speed	0-220 FPM (2.5 mph) forward/reverse
Rear Wheel Drive	Hydraulic wheel motors with freewheel for pushing
Parking Brake	Automatic hydraulic lock at stop position
Handle Bar Adjustment	Variable extension with quick lock variable 30° angle range

CC9074DK DEEP CUT SAW

Model #	Engine Make	Engine Power	Power Source	Speeds	Part #	Cat #	Product Weight (lbs.)	Blade Capacity	List Price
CC9074DK-36	Kubota® Turbo	74 HP	Diesel	Single	5801290	68055	2,478	36"	\$57,235
CC9074DK-42	Kubota® Turbo	74 HP	Diesel	Single	5801291	68247	2,500	42"	57,570
CC9074DK-48	Kubota® Turbo	74 HP	Diesel	Single	5801292	57696	2,533	48"	57,800
CC9074DK-54	Kubota® Turbo	74 HP	Diesel	Single	5801293	46758	2,823	54"	58,980
CC9074DK-60	Kubota® Turbo	74 HP	Diesel	Single	5801294	59724	2,864	60"	59,500

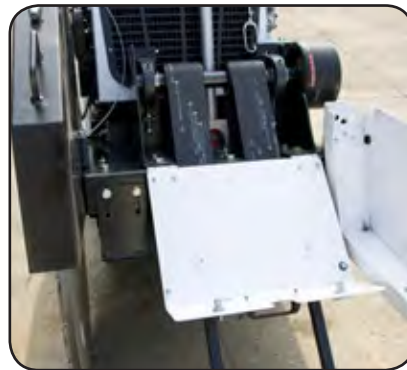
CC9074DK OPTIONS & BLADE GUARDS

Description	Part #	Cat #	List Price
Water Pump (electric)	6016035	49453	\$391
Weight Kit (200 lbs.)*	6016088	49459	638
36" Tapered Mount Blade Guard	6010958	13375	1,203
42" Tapered Mount Blade Guard	6010960	08216	1,359
48" Tapered Mount Blade Guard	6010962	24618	1,518
54" Tapered Mount Blade Guard	6010614	99721	1,609
60" Tapered Mount Blade Guard	6010616	70666	1,926

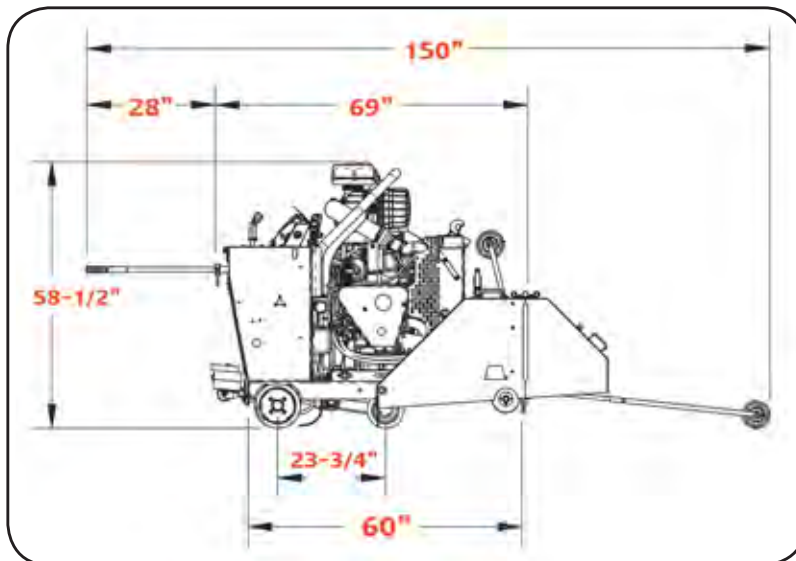
*Standard on the 54" and 60" models.



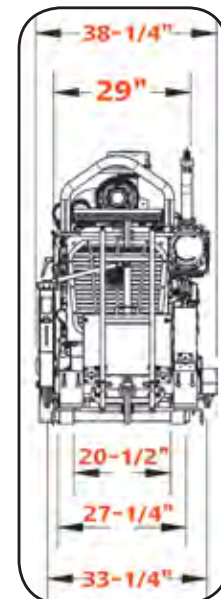
Simplified Serviceability
Easy, open component access to speed routine maintenance



Easily Accessible Belts
Multi-panel openings for quick belt maintenance.



Blade raise height maximum: 32"



CC110D HIGH POWERED SAW

Deep Sawing Made Easy



MADE IN THE U.S.A.



CC110D Control Panel

Detailed control instructions and computer readout for blade speed and engine setting.

36"-72" Blade Capacity

Diesel

Features & Benefits:

- Charge air cooled engine-the intake air is 30 degrees cooler
Cool air means power.
- Complete skid plate that protects the belt and blade shaft bearings
- Cleanest running diesel engine in any large walk behind saw
- Drilled and tapped blade shaft bearings and jack shaft bearings
- Standard hydraulic powered 5th wheel for easy turning
- Improved filter system to keep fan and radiator clean
- Locking blade shaft bolt
- Enhanced easy adjust jack shaft assembly

CC110D SAW

CC110D-SS SPECIFICATIONS	
Max. Depth of Cut with 54" Blade	11-1/2"
Max. Depth of Cut with 60" Blade	14-1/2"
Engine Brand	Cummins® QSB3.3 Interim Tier 4
Max. Engine Power	110HP at 2400 RPM
Blade Shaft Diameter	2"
Arbor Size	1" with 'Louie' bolt pattern
Blade Shaft Bearings	Self-aligning double roller
Blade Shaft Drive	5 - 5VX belts
Blade Mounting	Right or Left
Blade Raise/Lower	Electro-hydraulic pump
Transmission	DPI
Air Filter	2-stage
Fuel Capacity	9 gallons
Gauges	Cantrax engine control
Includes	Low Oil Alert, Hour Meter, Tachometer, Amp Meter Warning Light, Blade Shaft Wrench, Fifth wheel, Parking Brake, High Temperature Shut-Off

CC110D-DC SPECIFICATIONS	
Max. Depth of Cut with 54" Blade	23-1/2"
Max. Depth of Cut with 60" Blade	26-1/2"
Max. Depth of Cut with 66" Blade	29-1/2"
Max. Depth of Cut with 72" Blade	32"
Engine Brand	Cummins® QSB3.3 Interim Tier 4
Max. Engine Power	110HP at 2400 RPM
Blade Shaft Diameter	2-1/2"
Arbor Size	1" with 6 bolts
Blade Shaft Bearings	Self-aligning double concave roller
Blade Shaft Drive	5 - 5VX belts
Blade Mounting	Right or Left
Blade Raise/Lower	Electro-hydraulic pump
Transmission	DPI
Air Filter	2-stage
Fuel Capacity	9 gallons
Gauges	Cantrax engine control
Includes	Low Oil Alert, Hour Meter, Tachometer, Amp Meter Warning Light, Blade Shaft Wrench, Fifth wheel, Parking Brake, High Temperature Shut-Off

CC110D HIGH POWERED SAW

Model #	Engine Make	Engine Power	Power Source	Part #	Cat #	Blade Capacity	Product Weight (lbs.)	List Price
CC110D-SS	Cummins®	110 HP	Diesel	5801407	80353	30"	2,250	\$70,696
CC110D-SS	Cummins®	110 HP	Diesel	5801408	80563	36"	2,300	70,816
CC110D-DC-54	Cummins®	110 HP	Diesel	5801403	60318	54"	2,550	84,181
CC110D-DC-60	Cummins®	110 HP	Diesel	5801404	60343	60"	2,600	84,233
CC110D-DC-66	Cummins®	110 HP	Diesel	5801405	60381	66"	2,650	84,480
CC110D-DC-72	Cummins®	110 HP	Diesel	5801406	54799	72"	2,700	84,518

Horsepower and torque as rated by the engine manufacturer.

CC110D-SS SLAB SAW OPTIONS

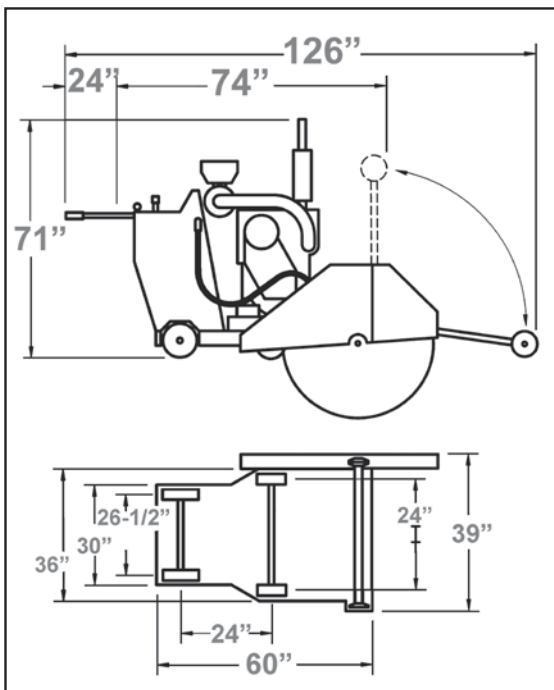
Description	Part #	Cat #	List Price
Light bar kit	6010112	02427	\$186
30" blade guard	6090371	96634	1,439
36" blade guard	6090372	89384	1,559

CC110D-DC DEEP CUT OPTIONS

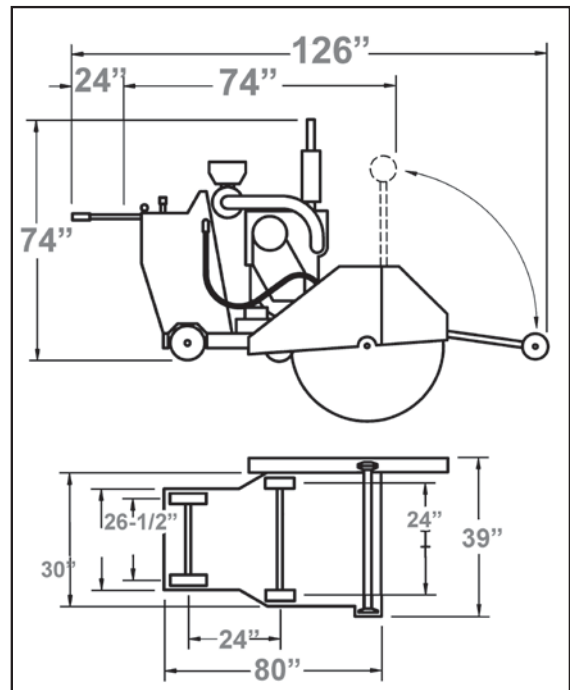
Description	Part #	Cat #	List Price
54" blade guard	CC-DC-SS-54	75912	\$1,657
60" blade guard	CC-DC-SS-60	28401	1,712
66" blade guard	CC-DC-SS-66	79825	1,964
72" blade guard	CC-DC-SS-72	28404	2,003



CC110D-SS



CC110D-DC



CC7874KT4 EZ JOINT RIDER SAW



Tier 4 Final

Powered By:



MADE IN THE U.S.A.

14" - 20" Blade Capacity

Diesel

Features & Benefits:

- Fast driving speed out of the cut
- Hydraulically assisted power steering
- 2" Double row tapered roller blade shaft bearings
- Vibration isolated adjustable seat and foot rest
- Fully enclosed belt guard keeps belts free of slurry for longer life
- Front wheels are adjustable for green sawing or random crack sawing
- Patented belt tensioning system allows for precise belt alignment for longer belt life
- Inboard bearing support for easy belt removal
- Hydrostatic ground drive allows precise speed control
- Blade raise/lower switch is incorporated in joystick for ease of operation
- Includes three lights for night sawing
- Automotive Style Sealed Front Wheel Bearings

CC7874KT SPECIFICATIONS

Max. Depth of Cut with 14" Blade	4"
Max. Depth of Cut with 20" Blade	7"
Engine Brand	Kubota V3370 Tier 4 Final
Max. Engine Power	74HP
Blade Shaft Diameter	2"
Arbor Size	1" with drive pin
Blade Shaft Bearings	2" double row tapered roller pillow block
Blade Shaft Drive	10-3VX (2-5 belt banded)
Blade Mounting	Right side only
Blade Raise/Lower	Electric over hydraulic adjustable
Hydraulics	Belt driven hydrostatic ground drive pump
Travel Speed	0-300 feet per minute
Air Filter	3-stage air intake
Electrical	12 Volt system
Gauges	Fuel, digital display with tachometer and hour meter

CC7874KT4 EZ RIDER JOINT SAW

Model #	Engine Make	Engine Power	Power Source	Part #	Cat #	Blade Capacity	Product Weight (lbs.)	List Price
CC7874KT4-14	Kubota V3307	74HP	Diesel	CC7874KT4-14	84156	14"	2,420	\$70,151
CC7874KT4-20	Kubota V3307	74HP	Diesel	CC7874KT4-20	81640	20"	2,440	70,241

Horsepower and torque as rated by the engine manufacturer.

CC7874KT4 BLADE GUARDS

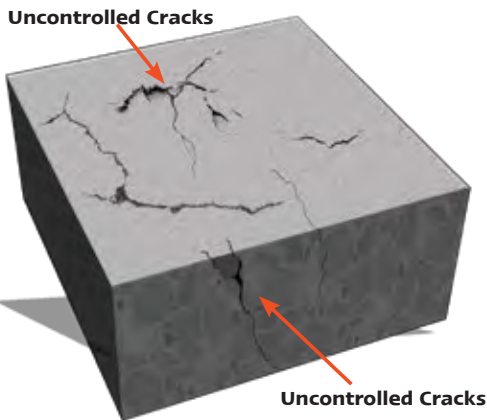
Description	Part #	Cat #	List Price
14" Blade Guard	6046030	08994	\$318
20" Blade Guard	6047214	75074	263

WHAT ARE EXPANSION/CONTROL JOINTS?

Concrete expands and contracts with temperature and moisture changes...as the temperature rises or the moisture content of the concrete increases, expansion takes place...as the temperature drops, the concrete will contract. The provision to accommodate movement at predetermined locations with proper joint cuts, prevents the development of stresses that could rupture the concrete.

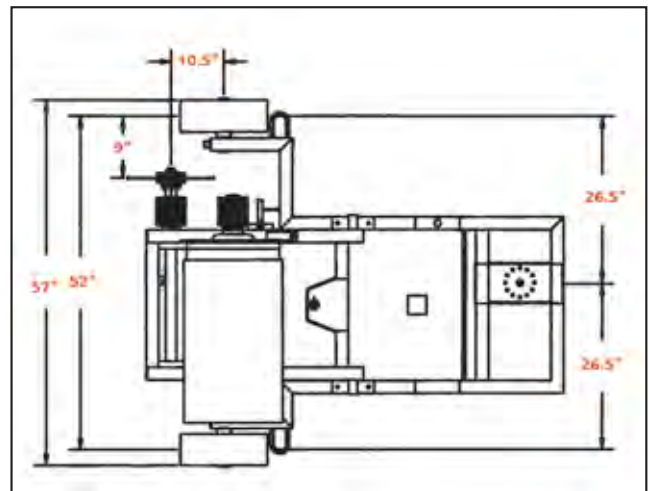
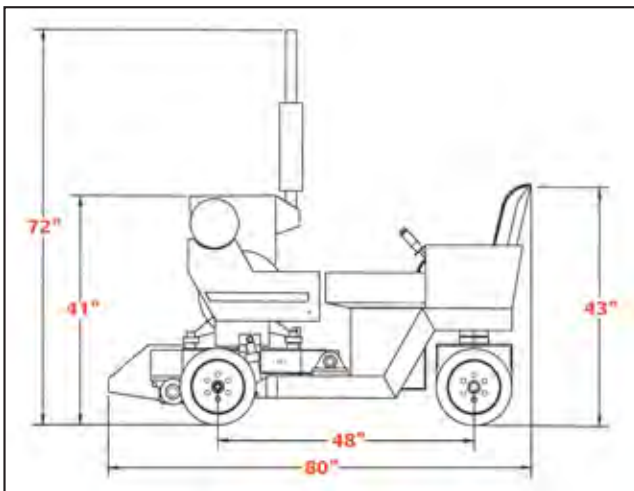
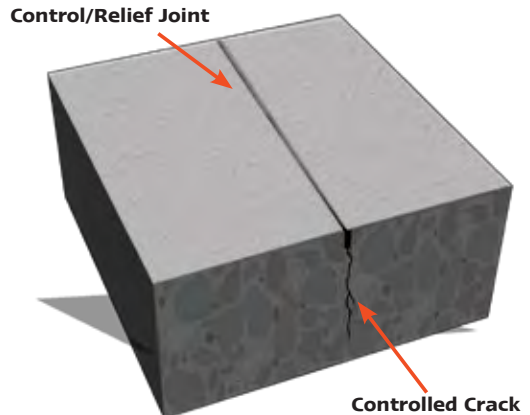
Concrete Without Expansion/Control Joint

Without a cut or joint made into the material, heat and cold aligned with curing can cause expanding and contracting of the concrete, creating uncontrolled cracks throughout. Those cracks will eventually create ruptures and sections that can pull apart from the rest of the material.



Concrete With Expansion/Control Joint

Making a controlled cut in the concrete **CONTROLS** where the cracks appear. When this procedure is done in determined spaced sections, the damage and cracking is kept at a minimum which prolongs the life of the concrete slab.



CC7874KT EZ RIDER

CC8574DD RIDER SAW



Tier 4 Final

Powered By:



MADE IN THE U.S.A.



Saw image subject to change

Blade not included

14"-60" Blade Capacity

Diesel

Features & Benefits:

- Redesigned frame for improved rigidity and strength
- Engine and hydraulic cooler work off of the engine-mounted fan
- Coolers located at the rear of the saw to reduce fouling
- Reservoir with clean out access
- Infinitely variable blade speed
- Programmable depth stop
- Updated rear drive motor with increased load capacity, higher top speed, integral parking brake
- Steering actuator for improved control
- Positive neutral lock for wheel drive
- Large diameter front and rear wheels for better traction
- Trailers itself up to a 12 degree incline
- Sauer-Danfoss & Parker blade drive hydraulic components
- Poclain & Parker wheel drive components

CC8574DD Rider Saw



Digital User Interface (7"):

- Engine and blade speed
- Engine and hydraulic fluid temperature
- Fuel level
- Hydraulic low level and blade over speed warning

CC8574DD SPECIFICATIONS

Max. Depth of Cut w/ 14" Blade	3-3/4"
Max. Depth of Cut w/ 20" Blade	6-3/4"
Max. Depth of Cut w/ 26" Blade	9-3/4"
Max. Depth of Cut w/ 30" Blade	11-3/4"
Max. Depth of Cut w/ 36" Blade	14-3/4"
Max. Depth of Cut w/ 42" Blade	16-3/4"
Max. Depth of Cut w/ 48" Blade	19-3/4"
Max. Depth of Cut w/ 54" Blade	22-3/4"
Max. Depth of Cut w/ 60" Blade	23-3/4"
Engine Model	Deutz 2.9 Turbo L4 Tier 4 Final
Max. Engine Power	74 HP
Blade Shaft Diameter	2-1/2"
Arbor Size	1" w/single drive pin
Blade Shaft Bearings	Precision ball
Blade Shaft Drive	Hydraulic motor
Blade Mounting	Right side
Blade Raise/Lower	Hydraulic, solenoid valve controlled
Transmission	Variable displacement hydraulic pump & motor
Air Filter	8" Donaldson Alexin
Fuel Capacity	9.5 gallons
Includes	Hour Meter, Tachometer, Telescoping Front Pointer, Adjustable Depth Stop, Cup Holder, Quick Disconnect Blade Flanges

CC8574DD RIDER SAW

Model #	Engine Make	Engine Power	Power Source	Part #	Cat #	Blade Capacity	Product Weight (lbs.)	List Price
CC8574DD-14	Deutz®	74 HP	Diesel	5803300	78895	14"	3,715	\$86,750
CC8574DD-20	Deutz®	74 HP	Diesel	5803301	78928	20"	3,725	86,780
CC8574DD-26	Deutz®	74 HP	Diesel	5803302	78949	26"	3,741	86,950
CC8574DD-30	Deutz®	74 HP	Diesel	5803303	78951	30"	3,749	87,050
CC8574DD-36	Deutz®	74 HP	Diesel	5803304	78995	36"	3,763	87,200
CC8574DD-42	Deutz®	74 HP	Diesel	5803305	78997	42"	3,772	91,265
CC8574DD-48	Deutz®	74 HP	Diesel	5803306	79001	48"	3,794	91,485
CC8574DD-54	Deutz®	74 HP	Diesel	5803307	79020	54"	3,870	91,700
CC8574DD-60	Deutz®	74 HP	Diesel	5803308	79139	60"	3,900	91,920

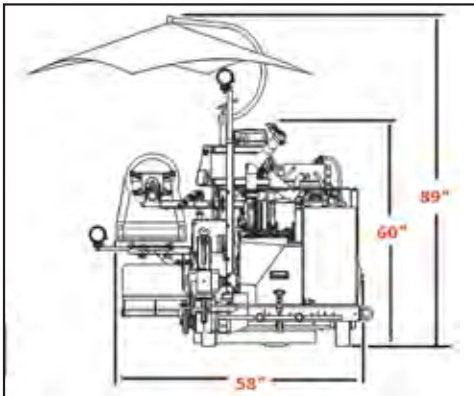
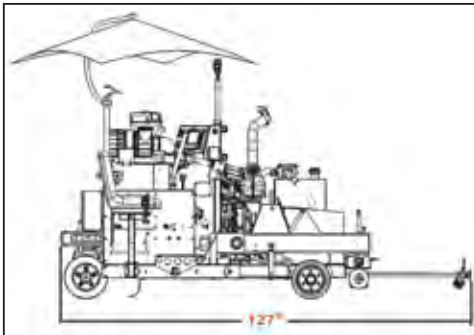
Horsepower and Torque as rated by the engine manufacturer.

CC8574DD BLADE GUARDS

Description	Part #	Cat #	List Price
14" Tapered Mount Blade Guard	6010950	20011	\$453
20" Tapered Mount Blade Guard	6010952	08213	673
26" Tapered Mount Blade Guard	6010954	19322	868
30" Tapered Mount Blade Guard	6010956	20456	1,071
36" Tapered Mount Blade Guard	6010958	13375	1,203
42" Tapered Mount Blade Guard	6010960	08216	1,359
48" Tapered Mount Blade Guard	6010962	24618	1,518
54" Tapered Mount Blade Guard	6010614	99721	1,609
60" Tapered Mount Blade Guard	6010616	70666	1,926

CC8574DD OPTIONS

Description	Part #	Cat #	List Price
Angle Cutting Arm Assembly Conversion Kit	6040159	22965	\$3,582
Water Pump Kit	6040117	47869	459
Strobe Light Kit	6040338	54214	447
Blade spacing kit-6" flange (for blades 1-1/2" apart)	6010630C	17000	784
Blade spacing kit-6" flange (for blades 2" apart)	6010631C	21357	739
Blade spacing kit-6" flange (for blades 4" apart)	6010632C	17592	957



Multiple access doors and pivoting hood provide quick access to all filters and hydraulics for ease of maintenance



New rear wheel drive bracket for greatly improved strength and reduced hose swing projection

New rear kingpin design with tapered roller bearings in a fully sealed cartridge for greatly improved strength and reliability

Zero-Turn Capability & Integral Parking Brake

CC2000-100 HORIZONTAL CURB CUTTER

The Easiest Way to Cut a Curb!



MADE IN THE U.S.A.



Easy-to-Use Control Station With All the Gages Needed to Monitor Flow, RPM and More

CC2000 Curb Cut Saw

36" Blade Capacity

Diesel

Features & Benefits:

- Up to 36" blade for flush cutting and a 54" blade for horizontal cutting
- Heavy duty but compact design means the CC2000-100 easily fits on an existing flatbed trailer unlike other curb cutters which require a dedicated truck
- Precision ride-on single operator machine that can cut a 16 foot driveway opening in 15 minutes
- Cuts driveway and ramp opening in all types of existing curbs
- Flush cuts parapet and barrier walls, garage door openings and can perform articulated cutting
- Precise diamond cutting means there is no damage to adjacent curb structure or roadway

CC2000-100 SPECIFICATIONS

Engine	Interim Tier 4 Emissions
Engine Power	99 HP
Engine Brand	John Deere® water cooled diesel with electronic safety
Drive Speed	0-200 feet per minute
Fuel Capacity	28 gallons
Hydraulics	75 gallon hydraulic oil tank capacity
	Blade pump 50 GPM flow compensation
	Closed loop ground drive pump piggy back gear pump for cylinder functions
	5 bank control valve
	10 micron hydraulic filters
	High efficiency hydraulic heat exchanger
	Hydraulic flow meter and pressure gauge
BLADE	
Max Blade Diameter	36" flush cut
Max Plunge Cut	15"
Max Vertical	10"
Max Right to Left Angle	15 degrees
Max Reverse Angle	5 degrees with 20" blade
Arbor Diameter	1"
Blade Tilt	15-17 degrees

CC2000-100 HORIZONTAL CUTTING SAW

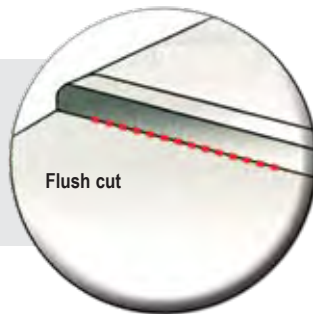
Model #	Engine	Part #	Cat #	Blade Capacity	Product Weight (lbs)	List Price
CC2000-100-36	99 HP John Deere®	CS-2000-100	82501	36"	7,300	\$188,643
CC2000-100-54	99 HP John Deere®	5801411	62137	54"	7,375	165,745

Horsepower and Torque as rated by the engine manufacturer.

CC2000-100 OPTIONS

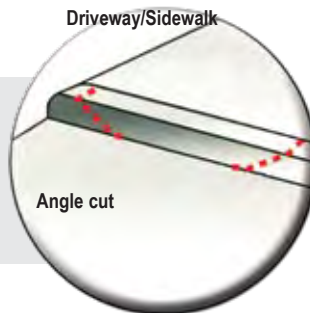
Description	Part #	Cat #	List Price
Hydraulic grinder	CS-2000-HG	86911	\$5,153
Curb saw trailer	CS-2000-T	87827	14,228
54" guard for horizontal cutting	6079551	46225	894

CONTROL PANEL	Tachometer, engine temperature meter, hour meter, volt meter, starter switch, oil pressure gauge, Single Murphy Powerview digital display with all engine information
FEATURES	Mechanical parking brake, 6" diameter solid rubber wheels and water tank
DIMENSIONS	Saw Length: 130", Height: 87", Width: 62"



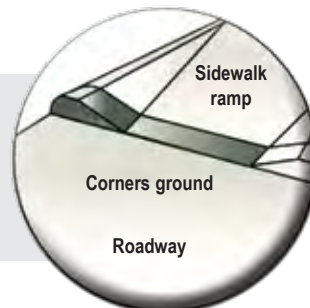
1

Once the location of the new driveway/sidewalk is determined, the CC2000 cuts a flush cut along the bottom of the monolithically poured curb.



2

After the flush cut is completed, angle cuts are made.



3

Once the cuts are finished, the debris is broken away and removed leaving a completed driveway/sidewalk opening with no damage to remaining curb structure or pavement.

FAST-CUT SLR HIGH SPEED SAW

Runs Cleaner and Greener!



14"-73cc

With SLR Technology Scavenged Loss Reduction For a Cleaner Running Engine
 SLR muffler complying with EUII and EPAIII exhaust emission limits-emission reduction without aging factor

12"/14"/16" Blade Capacity

Gasoline

Features & Benefits:

- Light weight and balanced for less operator fatigue
- Smooth start decompression valve reduces start up force by 70%
- 5-stage filtration system
- Fully adjustable blade guard
- Water kit and garden hose connection included
- Sure-grip rubber coated handles
- Optimized cooling from air flow and fuel compensator-reduces cylinder temperature
- Reinforced hood fastening system keeps the air cleaner cover secure
- Better engine tuning allows for minimal maintenance
- Modified decompression valve, carburetor and improved ignition coil for fast starting
- Improved fuel consumption and increased cutting efficiency
- Quick action blade guard adjustment and belt tensioning
- Proven mass dampening system that greatly reduces vibration
- Computerized ignition with digital timing control for easy starting, blade
- RPM control and consistent power



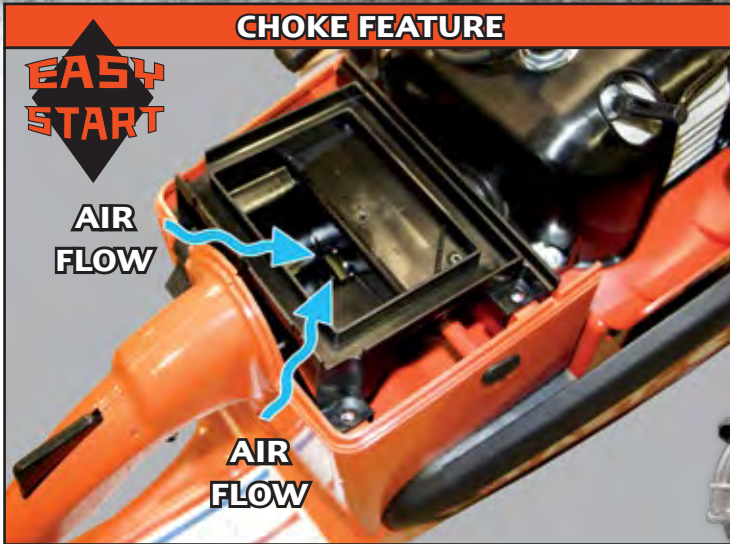
16"-81cc

Fast-Cut SLR

FAST-CUT SLR HIGH SPEED SAWS

Model #	Engine Power	Power Source	Part #	Cat #	Blade Capacity	Product Weight (lbs)	List Price
FC7312SLR	5.6bHP, 73cc	Gas/Oil Mix	5801527	29476	12"	21.38	\$1,275
FC7314SLR	5.6bHP, 73cc	Gas/Oil Mix	5801528	03853	14"	21.38	1,326
FC8114SLR	6.1bHP, 81cc	Gas/Oil Mix	5801540	63701	14"	22.50	1,632
FC8116SLR	6.1bHP, 81cc	Gas/Oil Mix	5801532	45543	16"	23.40	1,712

Tool kit included with universal wrench, angle torx screwdriver, and bushing in carry bag



Optional Cart Dolly with water tank for using the Fast-Cut saw as a walk behind application

WHAT IS EASY-START?

- Saws start in the choke position
- Same features as the competition
- Reduces flooding
- Improved air flow
- Tested and proven
- Can be retro-fit into older Fast-Cut saws

DIAMOND PRODUCTS RECOMMEND VP FUELS AND OIL MIX FOR FAST-CUT SAWS



Oil/Fuel Mixture That Works Perfectly with the Fast-Cut SLR High Speed Saw for Increased Performance and Worry-Free Operation

- EASIER STARTS
- HIGHER OCTANE
- BETTER OIL
- BETTER PERFORMANCE
- NO MEASURING, NO MESS
- NO GUMMING/DEPOSITS/MOISTURE
- LASTS LONGER
- LOWER OVERALL COST



Fast-Cut SLR

THE CLEANEST BURNING SYNTHETIC OIL ON THE MARKET!

- Provides easier, more dependable starts
- Remains stable through the off season & beyond in equipment fuel cells—at least 5 years in sealed containers (2 years in tank)
- Prevent ethanol-related problems that fuel stabilizers can't fix

VP-SEF 2-Cycle blends use the highest quality, cleanest burning synthetic oil on the market. It substantially reduces carbon deposits in engines and meets or exceeds all manufacturer's specs, as well as JASO FD, ISO-L-EGD, and API TC standards.

2 bottles Included with each saw.
Ultra-Extend synthetic oil
Makes 1 gallon-50:1 ratio
Sold separately by the case
(48 bottles -2.6oz)

FAST-CUT SLR HIGH SPEED SAW ACCESSORIES			
Description	Part #	Cat #	List Price
VP Racing 2-stroke synthetic oil case (48, 2.6oz bottles)	6060555	74274	\$108
Garden hose connector (one included with saw)	3200098	01381	16
Cart dolly with water tank	6061471	74083	1,399
Filter set (6 filters total)	6061381	36333	46
VP Racing 2-Stroke Premix Fuel - Case of 8 Quarts	6061305	51190	75

C14 ELECTRIC HANDHELD SAW

C14

15 Amp
Includes PRCD
Protection



Adjustable

14"

Blade not included.



Water Connection for Wet Cutting

C14 PRO

25 Amp
Does Not Include
PRCD Protection



14"

Blade not included.

C14 Hand Saw

14" Blade Capacity

Electric

Features & Benefits:

- Wet or dry cutting
- Overload protection with load warning LED light
- Electrical cord with PRCD protection (C14 only)
- Detachable guide rollers
- Splash guard to protect from water spray
- Handles designed for optimal control
- Tool-free blade guard angle adjustment
- Lightweight magnesium blade guard
- Externally accessible motor brushes
- Standard water feed system with fine adjustable flow and quick release coupling and durable hose

C14 SPECIFICATIONS

Power Input	15 Amp
Voltage	120 Volt
RPM	4500
Arbor	1"
Max. Cutting Depth	5"
Cut Direction	Down
Weight	17 lbs. (18 lbs. with guide rollers)

C14PRO SPECIFICATIONS

Power Input	25 Amp
Voltage	120 Volt
RPM	4500
Arbor	1"
Max. Cutting Depth	5"
Cut Direction	Down
Weight	17 lbs. (18 lbs. with guide rollers)

C14 HANDHELD ELECTRIC SAW

Model #	Motor Power	Power Source	Part #	Cat #	List Price
C14	15A/120V	Electric	5801601	48975	\$905
C14PRO	25A/120V	Electric	5801620	74267	905

C14 OPTIONS

Description	Part #	Cat #	List Price
C14 Vacuum Skid	6078496	80698	\$193

C16 ELECTRIC HANDHELD SAW



- 1. Dust Port
- 2. LED Overload Light
- 3. Guide Rollers
- 4. Magnesium Blade Guard
- 5. Water Feed System
- 6. Flush Cut Guard Latches



Flush cutting is easy with removable side guard



Removable guard side for flush cutting
(flush cut bolt pattern required on blade in order to cut flush)

16" Blade Capacity Electric

Features & Benefits:

- Wet or dry cutting
- Overload protection with load warning LED light-visible to operator
- Electrical cord with PRCD protection
- Detachable guide rollers
- Spring-loaded splash guard to protect from water spray
- Handles designed for optimal control
- Tool-free blade guard angle adjustment
- Lightweight magnesium blade guard
- Externally accessible motor brushes
- Standard water feed system with fine adjustable flow and quick release coupling and durable hose

C16 SPECIFICATIONS	
Power Input	25 Amp
RPM	3900
Arbor	1" plus Long Year Flush Cut
Max. Cutting Depth	6"
Cut Direction	Down
Weight	17 lbs. (18 lbs. with guide rollers)

C16 HANDHELD ELECTRIC SAW					
Model #	Motor Power	Power Source	Part #	Cat #	List Price
C16	15A/120V	Electric	5801605	72378	\$1,301

C16 OPTIONS			
Description	Part #	Cat #	List Price
EZ CORD Adapter - 12" long cord -12AWG - 115V 30 Amp	4699131	94366	36
Twist L5-30C / 5-15P to 15 Amp			

C16 Hand Saw

HIGH CYCLE HAND-HELD EQUIPMENT

WEKA HIGH CYCLE EQUIPMENT				
Description	Part #	Cat #	Weight (lbs)	List Price
WEKA FU6U Power Inverter	2600905	74736	30	\$2,955
WEKA FU6D Power Inverter	2600920	84252	34	3,949
WEKA HD16 Hand Held Motor	2600904	74773	13.7	2,949
WEKA TK40 High Cycle Chain Saw	2600907	74774	21	4,700
WEKA TR40 Ring Saw	2600909	84114	27	5,956
WEKA TS40 Hand Saw	2600906	74737	21	3,623

See Page 131 for WEKA Chain Saw Chain and Bar information.

Why High Cycle?

- High productivity
- Longer lasting equipment and increased efficiency
- Lower maintenance
- Increased power that allows for maximum RPM
- Consistent performance without power fluctuations
- Rugged operation for less tool wear



WEKA High Cycle

HD16 Drill Motor

TS40 Hand Saw

TK40 Chain Saw

FU6U Power Inverter

FU6D Power Inverter

TR40 Ring Saw

HIGH CYCLE HAND-HELD EQUIPMENT



FU6U Power Inverter

For use on all High Cycle WEKA equipment shown.
The FU6 recognizes the connected machine by means of the coded plug and controls each connected machine individually.
230V, 16 amp (3700 watt) 1PH
460V, 11.5 amp (6500 watt) 3PH

FU6D Power Inverter

For use on all High Cycle WEKA equipment shown.
The FU6D recognizes the connected machine by means of the coded plug and controls each connected machine individually.
Keypad and bluetooth interface integrated.
230V, 16 amp (3700 watt) 1PH
460V, 11.5 amp (6500 watt) 3PH

WEKA HD16 Hand Drill Motor

6" (mounted), 3" (hand held)
Bit Capacity

Electric

HD16 SPECIFICATIONS	
Power	3700 Watt
3-Speed RPM	630/1400/2900
Weight	13.7 lbs.

WEKA TS40 Hand Saw

16" Blade Capacity

Electric

TS40 SPECIFICATIONS	
Power	230V, 16 amp (3700 watt) 1PH 460V, 11.5 amp (6500 watt) 3PH
Cutting Depth	6-1/2"
Arbor	1"
Weight	21 lbs.

WEKA TR40 Ring Saw

16" Blade Capacity

Electric

TR40 SPECIFICATIONS	
Power	230V, 16 amp (3700 watt) 1PH 460V, 11.5 amp (6500 watt) 3PH
Cutting Depth	12"
Weight	27 lbs.

WEKA TK40 Chain Saw

12" & 14" Chain/Bar Capacity

Electric

TK40 SPECIFICATIONS	
Power	230V, 16 amp (3700 watt) 1PH 460V, 11.5 amp (6500 watt) 3PH
Weight	21 lbs.

HYDRAULIC HAND SAWS

HS SERIES-STANDARD GUARD

Blade Capacity/ Guard Type	(GPM) Gallons Per Minute	Part #	Cat #	Product Weight (lbs)	List Price
16" Standard	10 gpm	5801360	68005	31	\$4,190
16" Standard	12 gpm	5801361	15210	31	4,190
16" Standard	15 gpm	5801362	35393	31	4,190
20" Standard	8 gpm	5801363	91407	33	4,145
20" Standard	10 gpm	5801364	95255	33	4,145
20" Standard	12 gpm	5801365	86118	33	4,145
20" Standard	15 gpm	5801366	80760	33	4,145
24" Standard	8 gpm	5801367	97183	37	4,248
24" Standard	10 gpm	5801368	50461	37	4,248
24" Standard	12 gpm	5801369	92375	37	4,248
24" Standard	15 gpm	5801370	80466	37	4,248



HS Series-Standard (Fixed) Guard:

- Single trigger
- Lightweight aluminum frame
- Overhung load adapter
- Manual water valve
- Casappa® hydraulic motor
- Down cut

HS SERIES-FLUSH CUT WITHOUT COVERS

Blade Capacity/ Guard Type	(GPM) Gallons Per Minute	Part #	Cat #	Product Weight (lbs)	List Price
20" Flush Cut	8 gpm	5801371	71058	31	\$4,434
20" Flush Cut	10 gpm	5801372	50463	31	4,434
20" Flush Cut	12 gpm	5801373	94878	31	4,434
20" Flush Cut	15 gpm	5801374	81451	31	4,434
24" Flush Cut	8 gpm	5801375	50465	34	4,561
24" Flush Cut	10 gpm	5801376	50319	34	4,561
24" Flush Cut	12 gpm	5801377	94076	34	4,561
24" Flush Cut	15 gpm	5801378	80458	34	4,561
Cover for Flush Cut 20" hand saw		2502559	80750	4	517
Cover for Flush Cut 24" hand saw		2503508	87129	5	651



HS Series Flush Cut without Cover:

- Single trigger
- Light weight aluminum frame
- Overhung load adapter
- Manual water valve
- Casappa® hydraulic motor
- Down cut
- Flush cut hub
- Bolt on blade guard optional

Hydraulic Hand Saws



CARTS FOR HS SERIES FLUSH CUT HAND SAWS

Description	Part #	Cat #	Product Weight (lbs)	List Price
Cart-20" Hydraulic Hand Saw	6087146	25538	45	\$1,145
Cart-21" Hydraulic Hand Saw	6087148	17624	46	1,334
Cart-24" Hydraulic Hand Saw	6087147	21803	48	1,431
Cart-25" Hydraulic Hand Saw	6087149	76037	50	1,474

Hand saw carts make horizontal cutting easier and eases operator fatigue **FLUSH CUT ONLY**



MADE IN THE
U.S.A.

HYDRAULIC HAND SAWS



Pro Series Flush Cut :

- Dual trigger
- Light weight aluminum frame
- Trigger activated water valve
- Overhung load adapter
- Casappa® hydraulic motor
- Down cut
- Flush cut with removable guard
- 24.00" whip hoses included

PRO SERIES HYDRAULIC-FLUSH CUT					
Blade Capacity/ Guard Type	(GPM) Gallons Per Minute	Part #	Cat #	Product Weight (lbs)	List Price
21" Flush Cut	8 gpm	5800850	03958	39	\$4,619
21" Flush Cut	10 gpm	5800851	07210	39	4,619
21" Flush Cut	12 gpm	5800852	05818	39	4,619
21" Flush Cut	15 gpm	5800853	15005	39	4,619
25" Flush Cut	8 gpm	5800854	08693	41	4,703
25" Flush Cut	10 gpm	5800855	15199	41	4,703
25" Flush Cut	12 gpm	5800856	06345	41	4,703
25" Flush Cut	15 gpm	5800857	15201	41	4,703

PRO SERIES LIGHT WEIGHT-FLUSH CUT					
Blade Capacity/ Guard Type	(GPM) Gallons Per Min	Part #	Cat #	Product Weight (lbs)	List Price
21" Flush Cut	8 gpm	5800860	14392	35	\$3,738
21" Flush Cut	10 gpm	5800861	14393	35	3,738
21" Flush Cut	12 gpm	5800862	12203	35	3,738
21" Flush Cut	15 gpm	5800863	14397	35	3,738
25" Flush Cut	8 gpm	5803013	59260	37	4,113
25" Flush Cut	10 gpm	5803014	59265	37	4,113
25" Flush Cut*	12 gpm	5801340	53154	37	4,113
25" Flush Cut	15 gpm	5803016	59274	37	4,113

*Manual Meter Valve



HS Series-Light Weight Standard (Fixed) Guard:

- Single trigger
- Light weight aluminum frame
- Manual water valve
- Casappa® hydraulic motor
- Down cut
- Our lightest weighing hydraulic hand saw

LIGHT WEIGHT-STANDARD (FIXED) GUARD					
Blade Capacity/ Guard Type	(GPM) Gallons Per Min	Part #	Cat #	Product Weight (lbs)	List Price
20" Standard Cut	8 gpm	5800864	47148	30	\$3,479
20" Standard Cut	10 gpm	5800865	47149	30	3,479
20" Standard Cut	12 gpm	5800866	15226	30	3,479
20" Standard Cut	15 gpm	5800867	47150	30	3,479
24" Standard Cut	12 gpm	5803010	28009	33	4,270



MADE IN THE
U.S.A.

MINI-DRAGON ELECTRIC HAND SAWS

8.5" - 12-1/2" Cutting Depth



EMDS-115
EMDS-230



**CAUTION-
WET CUTTING ONLY**
Use only in precut material
to ensure safe operation.

Blade not included

Includes
Wear Plate



12 & 16" Blade Capacity **Electric**

Features & Benefits:

- Best power transfer to blade-where it is needed
- 1/3 less cutting cost than chain sawing
- Eliminates over cuts on corners
- Electronic overload with warning light
- Heavy duty splash guard
- Spring loaded blade guard
- Up to three times faster than chain sawing
- Diamond blade life up to five times longer-saves you money
- Light weight and easy to handle-22 lbs.

Mini-Dragon Ring Saw



Overload
Warning Light

MINI-DRAGON RING SAWS

Model #	Motor Power	Power Source	Part #	Cat #	List Price
EMDS-115	115V, 23 amp	Electric	5801602	64540	\$5,385
EMDS-230	230V, 15 amp	Electric	5801603	64998	5,385

Heavy Duty Orange Wet Dragon Claw Ring Blades with Wear Plate

SIZE	C41HM-16 CAT #	C42HM-16 CAT #	CRSDR18HM-16 CAT #	CRSDR20HM-16 CAT #	List Price
12" x .155	---	---	69664	77770	\$771
16" x .155	29301	93866	61775	38330	1,420
20" x .155	29303	93865	61781	16362	1,585



For Use With Our Dragon
Claw Ring Saw Blades

DRAGON RING SAWS

DragonSaw



CAUTION-

WET CUTTING ONLY
Use only in precut material to ensure safe operation.



**HDS60-8
HDS60-12**

Suggested Mobile Power Unit Models for Use with the HDS60 Ring Saw:
CB18BVXL, CB20EXL, CB21HXL, CB35BVXL

20" Blade Capacity

Hydraulic

DRAGON SAW (HDS60-12) SPECIFICATIONS	
PSI (Pounds Per Square Inch)	2000 (2500 Max.)
Weight	29.8 lbs.
Connections	1/2" hose (approx 12" length) 1/2" fittings

Features/Benefits (All Models):

- The ONLY hand saw capable of cutting up to 16" deep in concrete or block
- Best power transfer to blade-where it is needed
- 1/3 less cutting cost than chain sawing
- Eliminates over cuts on corners
- Up to three times faster than chain sawing
- Diamond blade life up to five times longer
- Light weight

DRAGON RING SAWS

Model #	Engine Motor Power	Power Source	Part #	Cat #	List Price
HDS60-8	8 GPM	Hydraulic	5801523	87796	\$8,042
HDS60-12	12 GPM	Hydraulic	5801535	53486	8,280
EDS60-115	115V, 30amp	Electric	5801533	46095	8,759
EDS60-230	230V, 15amp	Electric	5801536	53995	8,759

DRAGON SAW (ALL) SPECIFICATIONS	
Min Blade Diameter	16"
Max Blade Diameter	20"
16" Blade Cutting Depth	12"
20" Blade Cutting Depth	16"
Blade Cooling	Water cool only (no dry cutting)



**EDS60-115
EDS60-230**

CE
Certified

20" Blade Capacity

Electric

DRAGON SAW (EDS60) SPECIFICATIONS	
Power Head	Weka RS30
Power	115V, 30A, 3200W 230V, 15A, 3200W
Overload	Electronic
Weight	34 lbs.

20" blade on gas & electric are for light duty materials only
*Include wear plate

DRAGON RING SAW ACCESSORIES

Description	Part #	Cat #	List Price
Wear Plate (not included with saw)	6061184	86515	\$139
Guide Roller	6061253	60574	290
#12 Drive Wheel without Groove	6061186	88528	316
#13 Drive Wheel with Groove	6061187	88560	316

Dragon Ring Saws

HCH50 DIAMOND CHAIN SAW & CHAIN



Chain and bar not included

Bar Capacity: 12" - 24"

Hydraulic

Features/Benefits:

- Unique bar mount design allows you to flush cut to the wall, floor or ceiling
- Cuts 1.5" deeper than the competition
- Runs much quieter than gas powered saws
- Requires our own bar and chain-available in sizes 12", 16", 20" and 24"
- Minimum hydraulic supply: 10 GPM, maximum: 12 GPM

HCH50 FLUSH CUT DIAMOND CHAIN SAW DIAMOND PRODUCTS

Description	Part #	Cat #	Weight (lbs)	List Price
HCH50 Flush Cutting Hydraulic Chain Saw	5801010	55079	27	\$4,956

CHAIN BAR & SPROCKETS DIAMOND PRODUCTS

Description	Part #	Cat #	List Price
Link with Segment	6049133	81841	\$19
Drive Sprocket for HCH50 Chain Saw with 3/8" Pitch	6049138	84925	157
Chain assembly kit	6049132	81840	976
12" Bar with 3/8" Pitch	6049134	99278	163
16" Bar with 3/8" Pitch	6049135	84208	171
20" Bar with 3/8" Pitch	6049136	99285	185
24 Bar with 3/8" Pitch	6049137	18709	203

DIAMOND CHAIN - DIAMOND PRODUCTS

Description	Part #	Cat #	List Price
12" Premium, fast cutting diamond chain with 62 segments	DCC6212PG	80532	\$1,312
16" Premium, fast cutting diamond chain with 74 segments	DCC7416PG	80694	1,548
20" Premium, fast cutting diamond chain with 86 segments	DCC8620PG	81787	1,792
24" Premium, fast cutting diamond chain with 98 segments	DCC9824PG	81789	2,041
12" Extreme Pro diamond chain with 62 segments for rugged heavy duty jobs	DCCP6212PG	56913	1,359
16" Extreme Pro diamond chain with 74 segments for rugged heavy duty jobs	DCCP7416PG	43048	1,603
20" Extreme Pro diamond chain with 86 segments for rugged heavy duty jobs	DCCP8620PG	82607	1,849
24" Extreme Pro diamond chain with 98 segments for rugged heavy duty jobs	DCCP9824PG	82657	2,092

WEKA CHAIN SAW

Description	Part #	Cat #	Weight lbs)	List Price
TK40 Weka Chain Saw 12"/14" w/o Inverter	2600907	74774	21	\$4,841
FU6U 230V 1PH - 460V 3PH Inverter	2600905	74736	30	3,044

DIAMOND CHAIN - WEKA

Description	Part #	Cat #	List Price
12" Diamond Chain Concrete Premium General Purpose with 58 Segments	DCCG5812PG	52944	\$1,234
14" Diamond Chain Concrete Premium General Purpose with 64 Segments	DCCG6414PG	82658	1,352
16" Diamond Chain Concrete Premium General Purpose with 70 Segments	DCCG7016PG	84952	1,458

CHAIN BAR & SPROCKETS - WEKA

Description	Part #	Cat #	List Price
Drive sprocket for Weka Chain Saw	6049139	84950	\$60
Chain assembly kit	6049132	81840	976
Bar - 12" 3/8" pitch	6049140	52921	180
Bar - 14" 3/8" pitch	6049152	83143	212
Bar - 16" 3/8" pitch	6049141	84951	253

DIAMOND CHAIN SAWS & CHAIN



Chain, bar and sprocket not included

See Page 124 for WEKA Chain Saw Features

CHAIN , BAR & SPROCKETS - COMPETITION STYLE GAS & ELECTRIC			
Description	Part #	Cat #	List Price
DRIVE SPROCKET for K950/K960/K970 chain saws	6049153	82489	\$144
DRIVE SPROCKET for 603/Redzaw, IC613/633/680 and Husq K6500	6049139	84950	60
12" BAR for ICS 613/633/680 and Husq K960/K970/K6500	6049140	52921	180
14" BAR for ICS 613/633/680/695 and Husq K950/K960/K970/K6500	6049152	83143	212
16" BAR for ICS 633/695 and Husq K950/K960/K970/K6500	6049141	84951	253
16" BAR for Stihl GS 461 Rock Boss	6049150	37025	261
12" Premium, fast cutting diamond chain with 58 segments	DCCG5812PG	52944	1,234
14" Premium, fast cutting diamond chain with 64 segments	DCCG6414PG	82658	1,352
16" Premium, fast cutting diamond chain with 70 segments	DCCG7016PG	84952	1,458
16" Premium, fast cutting diamond chain for Stihl saw with 64 segments	DCCS6416PG	37023	1,352

CHAIN, BAR & SPROCKETS - COMPETITION STYLE			
Description	Part #	Cat #	List Price
DRIVE SPROCKET CHAIN SAW (with clip) 890 Saw	6049142	85323	\$393
DRIVE SPROCKET chain saw 823/853/880*	6049143	85310	200
*TRANS TORQUE 14MM SHAFT 8GPM 823/853 CHAIN SAWS	6049144	85313	203
*TRANS TORQUE 16MM SHAFT 12GPM 853+/880F4	6049145	40181	203
Chain assembly kit	6049132	81840	976
15" bar with 3/8" pitch for 853/880/890 chain saws	6049146	85314	228
19" bar with 3/8" pitch for 853/880/890 chain saws	6049147	40582	284
24" bar with 3/8" pitch for 853/880/890 chain saws	6049148	40654	336
30" bar with 3/8" pitch for 853/880/890 chain saws	6049149	40686	781

DIAMOND CHAIN - COMPETITION STYLE - HYDRAULIC			
Description	Part #	Cat #	List Price
15" Premium, Competition-Style General Purpose Diamond Chain with 66 Segments	DCCC6615PG	85322	\$1,391
19" Premium, Competition-Style General Purpose Diamond Chain with 78 Segments	DCCC7819PG	40699	1,627
24" Premium, Competition-Style General Purpose Diamond Chain with 94 Segments	DCCC9424PG	40755	1,941
30" Premium, Competition-Style General Purpose Diamond Chain with 110 Segments	DCCC11030PG	40776	2,255
15" Extreme Pro diamond chain with 66 segments for rugged heavy duty jobs (special wide)	DCCCP6615PG	82520	1,440
19" Extreme Pro diamond chain with 78 segments for rugged heavy duty jobs (special wide)	DCCCP7819PG	82602	1,686
24" Extreme Pro diamond chain with 94 segments for rugged heavy duty jobs (special wide)	DCCCP9424PG	82603	2,012

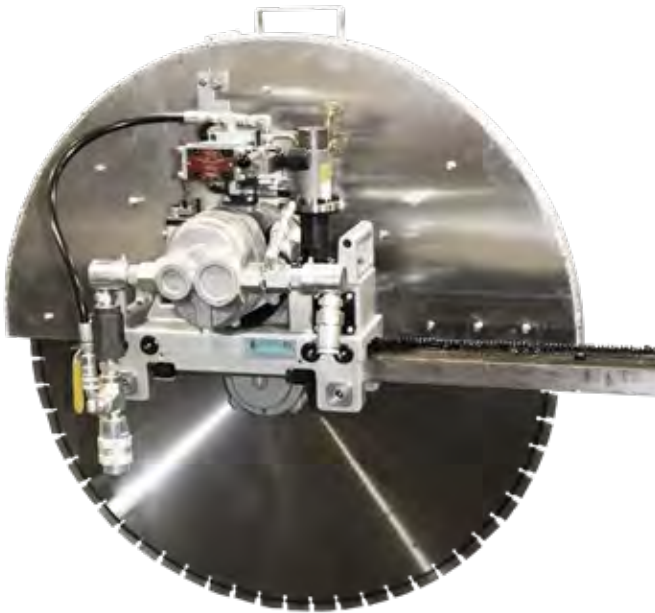
HCH50 Chain Saw

CC1600 WALL SAWING SYSTEMS

The Versatile Wall Saw That Delivers Dependable, Full Cutting Capability



20% Stronger Gears!



CC1600 Wall Saw

36" Blade Capacity

Hydraulic

Features & Benefits:

- Solid design and construction
- Three piece body for economical body repair
- Flush and angle cutting capability
- Available with 3.8 cubic inch or 5.2 cubic inch motor
- Saw comes standard with flush cut and complete tool kit
- Maximum flow and pressure: Max 30 GPM, Max 3000 psi
- 35 HP at maximum 30 GPM - 3000 psi

CC1600 WALL SAWS

DESCRIPTION	PART #	CAT #	List Price
CC1600-3.8PA Auto Travel Wall Saw Package * with tracks, 36" guard & aluminum track feet (LY style)	5800933	79609	\$24,390
CC1600-5.2PA Auto Travel Wall Saw Package* with tracks, 36" guard & aluminum track feet (LY style)	5800934	81683	24,527
CC1600-3.8PS Auto Travel Wall Saw Package* with stiffened track, 36" guard & steel track feet	5800931	78128	24,693
CC1600-5.2PS Auto Travel Wall Saw Package* with stiffened track, 36" guard & steel track feet	5800932	78495	24,825

*Packages include: wall saw head, 36" blade guard, 90" track, 51" track, 4 track feet and tool kit.

CC1600 WALL SAW HEADS & MOTORS

Description	Part #	Cat #	List Price
CC1600-3.8 Manual Travel Wall Saw Head with motor and tool kit	5800925	85207	\$16,456
CC1600-3.8 Auto Travel Wall Saw Head with motor and tool kit	5800921	78012	19,317
CC1600-5.2 Auto Travel Wall Saw Head with motor and tool kit	5800922	78416	19,449
Cross 3.8 cubic inch hydraulic motor	2600375	83144	1,033
Cross 5.2 cubic inch hydraulic motor	2600092	52158	1,458

CC1600 WALL SAW TRACK

Description	Part #	Cat #	Product Weight (lbs)	List Price
40" track without stiffener *	6050166	48574	17	\$1,729
51" track without stiffener *	6050167	47639	23	2,183
90" track without stiffener *	6050168	46856	37	3,092
120" track without stiffener *	6050169	47523	50	4,185
144" track without stiffener *	6050197	72750	100	5,063
40" track with stiffener **	6050161	48575	29	1,865
51" track with stiffener **	6050162	48576	37	2,365
90" track with stiffener **	6050163	48577	37	3,367
120" track with stiffener **	6050164	48578	82	4,550

* Use with standard aluminum track foot-Part # 4400106 – See below

** Use with steel track foot-Part # 6050130 – See below



Angle Track Foot Kit

CC1600 TRACK STIFFENER

Description	Part #	Cat #	Product Weight (lbs).	List Price
40" stiffener only	6050191	48579	15	\$132
51" stiffener only	6050192	48580	20	177
90" stiffener only	6050193	48581	33	263
120" stiffener only	6050194	48582	44	444

CC1600 TRACK FOOT SYSTEM & TRACK FEET

Description	Part #	Cat #	Product Weight (lbs).	List Price
Angle track foot assembly	6050212A	70917	12	\$334
Angle stiffener foot	6050212B	71084	8	285
Angle track & stiffener foot assembly	6050212C	71085	19	544
Steel track foot for stiffened track	6050130	48583	16	229
Stair track foot *	6050150	48585	16	274
Standard aluminum track foot	4400106	01942	8	198
Rotating track foot	3402123	80267	10	1,406
XL track foot assembly, aluminum for unstiffened track	4400417	74414	24	347

* Requires stiffened track



Rotating Track Foot



Steel Track Foot

CC1600 OPTIONAL WALL SAW CARTS

Description	Part #	Cat #	Product Weight (lbs).	List Price
Cart for CC1600 Wall Saw	5800972	31060	140	\$1,989

CC1600 WALL SAW BLADE GUARDS

STANDARD-ONE AND TWO PIECE GUARDS-2" WIDE



With Water Tubes

TWO-PIECE BLADE GUARDS WITHOUT WATER TUBES			
BLADE CAPACITY	TWO PIECE GUARD PART #	TWO PIECE GUARD CAT #	LIST PRICE
24"	6047038	48586	\$720
30"	6047039	48587	851
36"	6047040	47640	1,032
42"	6047041	48588	1,222
48"	6047042	48589	1,451
54"	6047043	48590	1,568
60"	6049013	83259	1,803
66"	6049011	86957	2,000

Designed for CC1600 & LY1500 Wall Saw.

TWO-PIECE BLADE GUARDS WITH WATER TUBES			
BLADE CAPACITY	2-PIECE GUARD PART #	2-PIECE GUARD CAT #	LIST PRICE
24"	6047000	02587	\$968
30"	6047003	02589	1,100
36"	6047006	02592	1,315
42"	6047009	02595	1,537
48"	6047012	02598	1,793
54"	6047015	02600	1,938
60"	6049014	64690	1,865
66"	6049012	28407	1,832

Designed for the LY360-35H wall saws with water directed through blade guard (instead of the arm).



With Water Tubes

ONE-PIECE BLADE GUARDS WITHOUT WATER TUBES			
BLADE CAPACITY	ONE PIECE GUARD PART #	ONE PIECE GUARD CAT #	LIST PRICE
24"	CC-24-BG-F	80976	\$627
30"	CC-30-BG-F	82413	668
36"	CC-36-BG-F	80977	769
42"	CC-42-BG-F	83246	869
48"	CC-48-BG-F	85433	1,020
54"	CC-54-BG-F	85429	1,319
60"	CC-60-BG-F	85430	1,415
66"	CC-66-BG-F	81941	1,472

Designed for CC1600 and LY1500 wall saws.

ONE-PIECE BLADE GUARDS WITH WATER TUBES			
BLADE CAPACITY	ONE PIECE GUARD PART #	ONE PIECE GUARD CAT #	LIST PRICE
24"	6048978	63690	\$624
30"	6048979	63692	675
36"	6048980	63693	756
42"	6048981	63705	1,009
48"	6048982	63711	1,198
54"	6048983	63729	1,273
60"	6048984	63731	1,569
66"	6048985	63773	1,162

Designed for CC1600 and LY360-35H wall saws.

CC1600 WALL SAW BLADE GUARDS

FLUSH CUT-ONE AND TWO PIECE, 1" WIDE



TWO-PIECE FLUSH CUT BLADE GUARDS WITHOUT WATER TUBES			
Blade Capacity	Part #	Cat #	List Price
24"	6047050	84081	\$508
30"	6047051	82128	628
36"	6047052	80042	756
42"	6047053	82127	929
48"	6047054	84082	1,097
54"	6047055	83770	1,398

Designed for CC1600 and LY1500 Wall Saw.

ONE-PIECE FLUSH CUT BLADE GUARDS WITHOUT WATER TUBES			
Blade Capacity	Part #	Cat #	List Price
24"	CC-24-FL-BG	85432	\$481
30"	CC-30-FL-BG	81579	506
36"	CC-36-FL-BG	81785	589
42"	CC-42-FL-BG	81580	745
48"	CC-48-FL-BG	39710	1,097
54"	CC-54-FL-BG	38619	1,303

Designed for CC1600 and LY1500 wall saws.

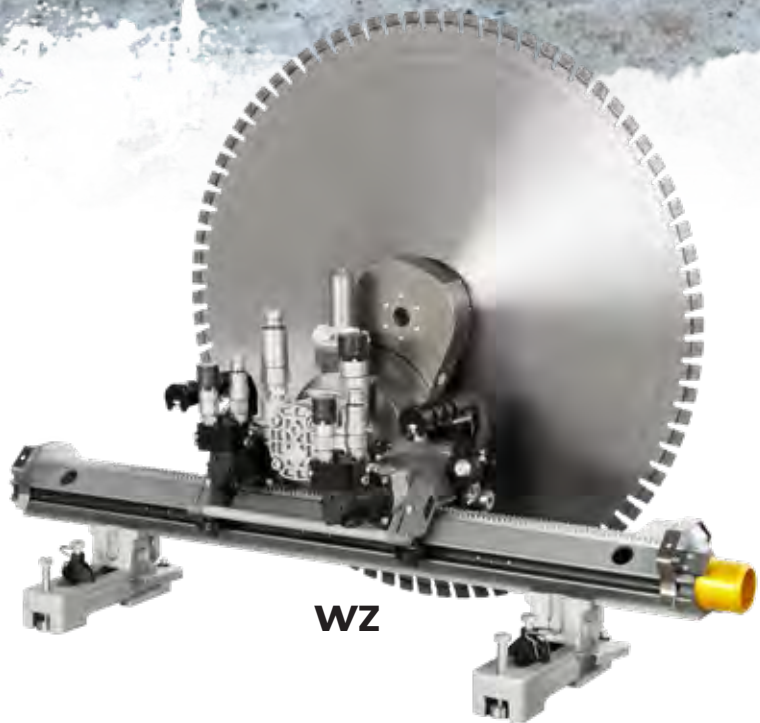


TWO-PIECE FLUSH CUT BLADE GUARDS WITH WATER TUBES			
Blade Capacity	Part #	Cat #	List Price
24"	6047020	48595	\$726
30"	6047021	46889	843
36"	6047022	47568	972
42"	6047023	02602	1,141
48"	6047024	47521	1,315
54"	6047025	02603	1,612

Designed for the LY360-35H wall saws with water directed through blade guard (instead of the arm).

CC1600 Guards

HYDROSTRESS WALL SAW SYSTEMS



- Available with Hydrostress track
- Usable on competition style tracks
- Fully automatic
- Quick release blade flange
- Gear drive available

HYDROSTRESS WALL SAW PACKAGES

DESCRIPTION	PACKAGE CONTENTS	Blade Capacity*	PART #	CAT #	List Price
FZ-4S Hydraulic Wall Saw Package	Hydraulic Wall Saw Head, (4) Aluminum Track Feet, (1) 86" Aluminum Track, (1) 43" Aluminum Track, 40" Blade Guard and Tool Kit	86"	5802227	47704	\$43,588
WZ Hydraulic Wall Saw Package	Hydraulic Wall Saw Head, (4) Aluminum Track Feet, (1) 86" Aluminum Track, (1) 43" Aluminum Track, 40" Blade Guard and Tool Kit	63"	5802249	30699	33,722

* When using the proper power unit with correct GPM



PPH40RR Power Pack

BS-2 Hydraulic Remote Control Unit

HYDROSTRESS WALL SAW MOTORS AND ACCESSORIES

ITEM	DESCRIPTION	PART #	CAT #	List Price
PPH40RR-460	460 Volt with 12 GPM stage	5802256	06685	\$58,687
PPH40RR-575	575 Volt with 12 GPM stage	5802257	12171	66,758
BS-2 Remote Control	Remote Control Unit for Hydrostress wall saws	5800112	48601	7,522

HYDROSTRESS WALL SAW GUARDS & TRACK



3 Piece



2 Piece

HYDROSTRESS BLADE GUARDS

Description	Part #	Cat #	List Price
32" Blade Guard Flush cut & normal cut-All in one (3 piece)	3402551	31541	\$5,228
40" Blade Guard Flush cut & normal cut-All in one (3 piece)	3402552	80930	5,423
48" Blade Guard Flush cut & normal cut-All in one (3 piece)	3402553	30573	6,374
56" Blade Guard Flush cut & normal cut-All in one (2 piece) *	3401979	78577	4,185
63" Blade Guard Flush cut & normal cut-All in one (2 piece) *	3400102	01448	4,437
86" Blade Guard Flush cut & normal cut-All in one (2 piece) *	3400810	66558	9,529
Holder for 2-piece blade guard (hook)	3400746	47988	912

* Indicates blade guards that require blade guard holder: Part # 3400746 (3400746 not needed on WSE2226)

HYDROSTRESS TRACK

Description	Part #	Cat #	List Price
43" Aluminum/Steel for FZ, DZ Saws	3402051	67409	\$2,220
86" Aluminum/Steel for FZ, DZ Saws	3402050	67408	4,437
43" Steel for FZ, DZ Saws	2500304	00373	3,500
86" Steel for FZ, DZ Saws	2500303	00372	7,040
Track Connector *	3402067	70393	471

* Locks two tracks (2500304 and 2500303 or 3402050 and 3402051) together.



HYDROSTRESS TRACK FEET

Description	Part #	Cat #	List Price
Aluminum Flat Style for Aluminum Track	3402053	67407	\$529
Standard Steel for Steel Track	3400480	47702	664
Rotating Track Foot	3402123	80267	1,406



Rotating Track Foot

WSE1217 WALL SAW SYSTEMS



Electric Power Pack and Radio Remote Control
Part # 3401431, Cat # 42996
(Included with WSE1217 complete system)

54" Blade Capacity

Electric

Features & Benefits:

- Significantly increased cutting performance thanks to innovative Tyrolit P2 Technology with permanent magnetic high cycle motor that runs at lower RPM and allows for direct drive (no gear box)
- Get higher productivity and reduced service costs due to the maintenance-friendly design
- Optimize your cutting with the new automatic load sensing feed/travel mechanism and low RPM
- Lightweight and versatile
- The High Cycle Converter Can Also be Used to Power the WCE14 Wire Saw



WSE1217 Wall Saw

WSE1217 Specifications:

BLADE

Maximum cutting depth	22.5"
Maximum blade capacity	54"
Maximum starter blade size	32"
Blade mount	Quick-release flange

DESIGN

Infinitely adjustable swivel arm rotates 360°
2 carrying handles with locking function

MOTOR

Water cooled high frequency motor without gearbox	
Output at 32 amp	17 kW, 22.79 horsepower

POWER PACK/INVERTER INPUT

Voltage	460 Volt
Frequency	50Hz/60Hz
Output Frequency	400 Hz

WEIGHT

Wall Saw WSE1217 including feed motors without main drive blade motor	56 lbs.
Electric main blade motor only	36 lbs.

MINIMUM GENERATOR SIZE REQUIREMENT

30kW

WSE1217 WALL SAW SYSTEM			
Description	Part #	Cat #	List Price
WSE1217 High Cycle Wall Saw System Complete (includes 40" blade guard, wall saw cart and electric control unit with track)	5801529	41344	\$69,350
WSE1217 WALL SAW INDIVIDUAL PARTS			
Flat aluminum foot for Hydrostress track	3402053	67407	\$529
Aluminum/Steel track 43" (new G style Hydrostress track)	3402051	67409	2,220
Aluminum/Steel track 86" (new G style Hydrostress track)	3402050	67408	4,437
Rotating track foot	3402123	80267	1,406
WSE1217 ALL-IN-ONE FLUSH CUT & STANDARD BLADE GUARDS			
32" all-in-one blade guard for Hydrostress wall saws (3 piece)- <i>Not Included with package</i>	3402551	31541	\$5,228
40" all-in-one blade guard for Hydrostress wall saws (3 piece)	3402552	80930	5,423
48" all-in-one blade guard for WSE1217 Hydrostress wall saw (3 piece)- <i>Not Included with package</i>	3402553	30573	6,374



Stay back from the action with the wireless remote control. Unique blade guard is capable of doing [Flush Cut](#) and [Standard Cut](#) all in one!



Optimized wireless remote control for better mobility and safety along with a lightweight control unit that allows operations at 16 and 32 amp.



WSE2226 WALL SAW SYSTEMS



86" Blade Capacity

Electric

Quick Mount

- Quick mounting blade flanges make easy removal of blade
- Up to 40" maximum starter blade without being in the cut

Feed with Worm Drive System

- Self-locking-no brake necessary
- Improved seals

2 Handles

- Quick disconnect with 2 handles for fast removal and set up

2-stage gear box

- Largest \varnothing range in the industry (\varnothing 32" to 86")
- Safety clutch in front of gear box for better protection
- Simple re-engage lever in case of blade jams

6 Speeds/Blade Sizes:

32", 40", 48", 63", 70", 78", 86"

Powered by P2® Technology

- Integrated permanent magnets
- Reduced motor R.P.M. for reliability and low maintenance
- High level of efficiency cutting performance

WSE2226 Specifications:

BLADE

Maximum cutting depth	39"
Maximum blade capacity	86"
<i>Blade size over 60" in diameter requires 60mm flange system (Included with package)</i>	
Maximum starter blade size	40"
Blade mount	Quick-release flange

DESIGN

Infinitely adjustable swivel arm rotates 360°
2 carrying handles with locking function

MOTOR

Water cooled high frequency motor with 2 speed gearbox
Output at 63 amp 26 kW, 35 HP

POWER PACK/INVERTER INPUT

Voltage	460 Volt
Frequency	50Hz/60 Hz
Output Frequency	400 Hz

WEIGHT

Wall Saw WSE2226 including feed motors without main drive blade motor	66 lbs.
Electric main blade motor only-detachable	53 lbs.

MINIMUM GENERATOR SIZE REQUIREMENT

50kW

WSE2226 WALL SAW SYSTEM

Description	Part #	Cat #	List Price
WSE2226 High Cycle Wall Saw System Complete (includes 48" blade guard, wall saw cart and electric control unit with track)	5801534	46473	\$95,619

WSE2226 WALL SAW INDIVIDUAL PARTS

Aluminum foot for Hydrostress track	3402053	67407	\$529
Aluminum/Steel track 43"	3402051	67409	2,220
Aluminum/Steel track 86"	3402050	67408	4,437
Rotating track foot	3402123	80267	1,406

WSE2226 ALL IN ONE FLUSH CUT & STANDARD BLADE GUARDS

48" Blade Guard Flush cut & normal cut-All in one (3 piece)	3402553	30573	\$6,374
56" Blade Guard Flush cut & normal cut-All in one (2 piece)	3401979	78577	4,185
63" Blade Guard Flush cut & normal cut-All in one (2 piece)	3400102	01448	4,437
86" Blade Guard Flush cut & normal cut-All in one (2 piece)	3400810	66558	9,529



**All-in-one
3 Piece Guard**



**All-in-one
3 Piece Guard**



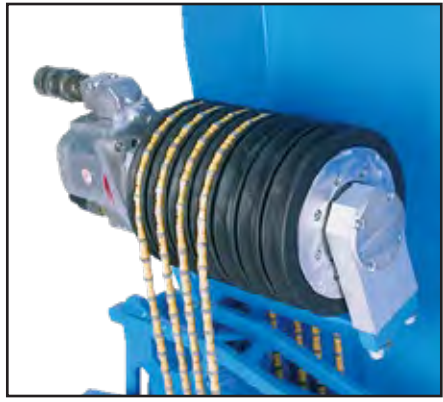
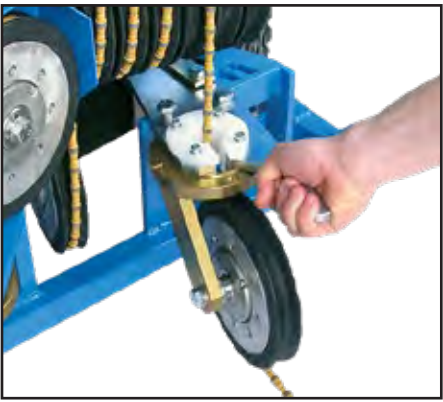
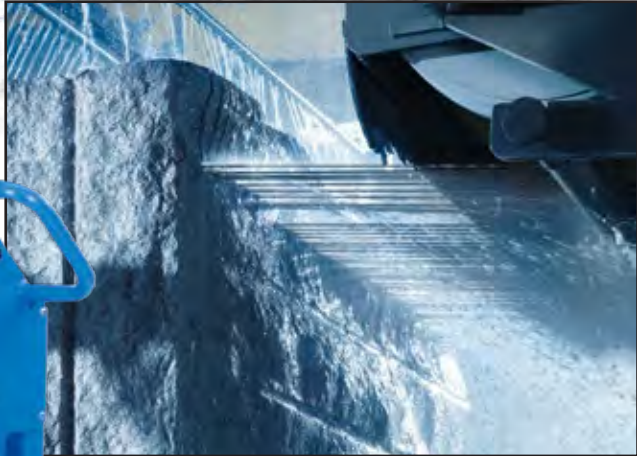
**Complete wall saw cart
assembly and control unit**



2 Piece Guard

HYDROSTRESS SB WIRE SAW

HYDROSTRESS Wire Saws



36 ft. Capacity Hydraulic

SB Features/Benefits:

- Patented multiple roll drive allows you to start running with minimum wire tension
- Cutting rate increases by 50% compared to conventional systems
- Virtually emission free
- Capable of large demolition jobs

SB SPECIFICATIONS	
Wire Required	14 feet minimum
Max. Wire Storage	50 feet
Height	52" H x 29" W x 30" D
Operation Requirements	23-28 GPM Power Unit BS-2 Remote Control

HYDROSTRESS® SB WIRE SAW				
Description	Part #	Cat #	Product Weight (lbs)	List Price
Complete Wire Saw with 40 CC Motor	5802228	60599	375	\$34,413
BS-2 Remote Control Unit (single pump) with 26' Hoses	5800112	48601	60	7,522

WCH14 & WCE14 WIRE SAWS



WCH14
HYDRAULIC



WCE14
ELECTRIC

36 ft. Capacity

Electric

Hydraulic

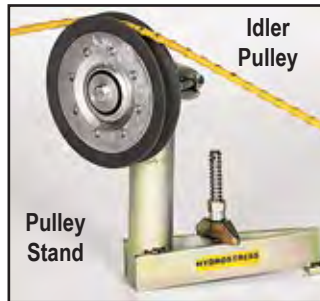
Features & Benefits:

- Provides consistent tension and wire speed
- Modular saw disassembles into separate pieces
- Core drilling mount
- Patented drive roller system
- Fast, easy assembly for a one person operation
- Can be wall mounted

WCH14 & WCE14 SPECIFICATIONS	
Max. Cut	Perimeter up to 36 feet
Wire Required	11 feet minimum
Max. Wire Storage	46-1/2 feet
Height	60" H x 25" W x 32" D
WCH14 (Hydraulic) Requirements	17-21 GPM Power Unit BS-2 Remote Control
WCE14 (Electric) Requirements	30 kW Power

HYDROSTRESS® WCH14 & WCE14 WIRE SAW				
Description	Part #	Cat #	Product Weight (lbs)	List Price
WCH14 Complete Hydraulic Wire Saw with 30 CC Motor	5803019	93588	230	\$24,134
WCE14 Kit Without Main Motor, Inverter or Controller	5803023	57097		26,138
WCE14 Complete Electric Wire Saw with controller and inverter	5803022	53212	230	62,396
BS-2 Remote Control Unit (single pump) with 26' Hoses	5800112	48601	60	7,522

CCH25/CCE25 CIRCULAR/PLUNGE WIRE SAW



98" Max. Diameter

Electric

Hydraulic

CCH25 Circular Wire Saw Features/Benefits:

- Simple and safe in the application
- Minimum installation time
- Economical, replaces expensive drill bits
- Wire sawing instead of drilling opens up new application possibilities.
- Elliptical shaped cutouts are possible.
- Simple tensioning of the wire
- Precise flexible water supply

CC25 SPECIFICATIONS

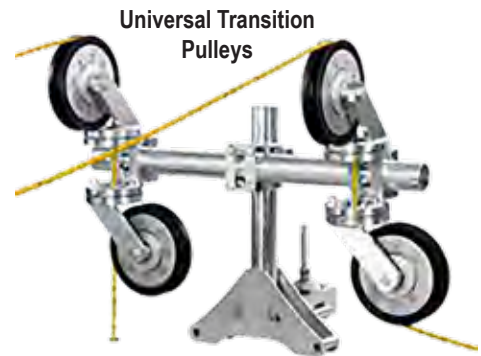
Min. Diameter	20"
Max. Diameter	98"
Max. Thickness	24"
Wire Requirement	11 feet minimum
Operation Requirement	13-16 GPM Power Unit BS-2 Remote Control

HYDROSTRESS® CC25 CIRCULAR WIRE SAW

Description	Part #	Cat #	Product Weight (lbs)	List Price
CCH25 Complete Wire Saw with 22 CC Motor	5802240	74442	296	\$17,186
BS-2 Remote Control Unit (single pump) with 26' Hoses	5800112	48601	60	7,522
CCE25 Kit for WSE1217 Circular Wire Saw without Main Motor or Controller/Inverter	5803026	67292	340	16,457

HYDROSTRESS® IDLER PULLEYS

Description	Part #	Cat #	List Price
8" Idler Pulley	3400896	73031	\$670
Idler Pulley Stand	3400895	73030	104



Plunge Wire Saw Pulley Assembly Features/Benefits:

- Sturdy Design
- Gentle Wire guidance thanks to plastic guide
- Optimal water guidance guaranteed
- Suitable for horizontal and vertical cuts
- Swivel rollers for correct wire guidance
- Fixed in 10" drilled hole
- Wire secured by protective plate

HYDROSTRESS® PLUNGE WIRE SAW PULLEY ASSEMBLY

Description	Part #	Cat #	List Price
Plunge Wire Saw Pulley Assembly Left Side	3402034	68223	\$4,750
Plunge Wire Saw Pulley Assembly Right Side	3402035	68224	4,750
Universal Transition Pulley	3404027	73394	5,150

WS25 WIRE SAW



MADE IN THE U.S.A.



Unlimited depth

Hydraulic

Features & Benefits:

WS25 SPECIFICATIONS	
Wire Speed	0-5,000 ft/min-ininitely variable and reversible
Drive Motor	6 ft. stroke driven by Danfoss 1.93 cubic inch hydraulic motor
Sawing Angle	Set up vertical or horizontal from the same frame
Drive Motor	Char-Lynn 9.9 cubic inch hydraulic motor 525 rpm @ 25 GPM
Drive Wheel	32" diameter with neoprene lining in 'V' groove
Idler Wheels	10" and 16" special polyethylene wheels with sealed bearings. 10" and 16" idlers have 1-3/16" shaft for use with universal clamps
Pipe Mounting	For use with 2" schedule 80 pipe

Includes

- (1) 8ft. column
- (1) 32" drive wheel,
- (3) mounting bases
- (2) 10" wheels, (2) 16" wheels
- (2) universal clamps
- (3) 3ft. (1) 11ft., (1) 6ft. schedule 80 pipe sections



WS25 WIRE SAW			
Description	Part #	Cat #	List Price
WS25 Wire Saw for use with BS2	5800061	02248	\$13,713
WS25 Wire Saw for use with Control Station	5800669	09484	13,713
WS25 Flush Cut Wire Saw for Use with BS2	5800621	50169	13,713
WS25 Flush Cut Wire Saw for Use with Control Station	5800622	39314	13,713
Wire Saw Control Station	5800059	02247	14,936
BS-2 Remote Control Unit (Single Pump) with 25' hoses	5800112	48601	7,522
WS25 ACCESSORIES			
16" idler wheel	6020025	02581	\$668
10" idler wheel	6020035	02583	460
Universal clamp	6020020	02578	269
Pipe mounting base	6020000	02565	275
24" drive wheel	6020051	79330	2,488
32" drive wheel	6020052	79331	3,503



BS-2 Hydraulic Remote Control Unit

WS25 Wire Saw

WSE30-XLE HIGH-CYCLE WIRE SAW



MADE IN THE U.S.A.



Control Station

49 ft wire capacity

Electric

Features/Benefits:

- Single 25HP high-cycle Compact electric motor that reduces weight and size versus traditional electric motors
- High speed wire cutting that has an adjustable cutting speed up to 25m/s
- Single pneumatic cylinder with simple automatic take up and constant tensioning, completely adjustable by the operator
- 49 ft (15m) total wire take up
- Large storage capacity to make larger cuts without repositioning saw
- Single 16.50" poly-lined drive wheel with replaceable poly-liner. Liners available in 4 different grip levels
- Load adapter drive wheel to motor connection-reduced load on motor to prolong life
- Low entry pull side-reduces danger of broken diamond wire
- Fully positionable guide pulleys
- Low rolling resistance pneumatic tires for easy maneuvering on rough terrain
- Interior spray system allows water to be sprayed directly on drive wheels to cool while cutting
- Includes high-cycle, 460V - 7000W control station and hoses

WSE30-XLE SPECIFICATIONS

Length	71"
Width	30"
Height	46"
Weight	780 lbs.

WSE30-XLE WIRE SAW

Model #/Description	Part #	Cat #	Product Weight (lbs)	List Price
WSE30-XLE High Cycle Wire Saw with 460V Control Station	5802295	80433	780	\$71,681

WSE30-XLE Wire Saws

WSE50-XLE HIGH-CYCLE WIRE SAW



MADE IN THE U.S.A.



Includes Control Unit and Cables

86 ft wire capacity

Electric

Features/Benefits:

- Twin 25hp high-cycle compact electric motors: reduces weight and size vs. traditional electric motors
- Twin pneumatic cylinder take up: simple automatic take up and constant tensioning completely adjustable by operator
- 86' (26m) total wire take up and storage: Large capacity storage for larger cuts and less down time repositioning saw
- Twin 16.50" diameter poly-coated drive wheels: Increases friction on cutting wire
- Load adapter drive wheel to motor connection : Reduces load on motor to prolong motor life
- Low entry pull side: Reduces danger of broken cutting wire
- Low friction, easily positionable wire guide pulley
- Fully positionable wire guide pulleys
- Multiple positioning/moving options: Load rated lifting rings, integrated for pockets, low resistance free rolling caster
- Interior water spray system : Allows operator to choose to spray water directly on idler wheels and cool cutting wire.

WS50-XLE SPECIFICATIONS

Length	99"
Width	33.50"
Height	52"
Weight	1100 lbs. (saw), 200 lbs. (Power Panel)

WS50-XLE WIRE SAW

Model #/Description	Part #	Cat #	Product Weight (lbs)	List Price
WS50-XLE High Cycle Wire Saw with Control Unit	5801600	08922	2,040	\$110,332

WS50-XLE Wire Saws

MOBILE TRACK WIRE SAW

Movable Wire Saw That Increases Cutting Speed and Profits!



MADE IN THE U.S.A.



Innovative tensioning spring for consistent wire tension



MOBILE TRACK Wire Saw

Features & Benefits:

- Twice the cutting speed of conventional wire saws
- Infinitely variable speed and reversible drive
- Works well on rough terrain, inclines and where conventional wire saws can't operate
- Eliminates most of wire sawing set-up time
- Rubber tracks for superior movement
- Entire saw can be pulled back to pull the wire through the cut
- Safety strobe light

MOBILE TRACK WIRE SAW

Model #	Part #	Cat #	List Price
CCTWS	CC-TWS-CDR	42258	\$145,747

MOBILE TRACK WIRE SAW SPECIFICATIONS

Engine	Cummins 110 HP
Fuel Capacity	22 gallons
Air Filter	Dual stage
Drive Wheel	32" with variable speed
Idler Wheels	12" wheels with grease able bearings and replaceable liners
Length	78" (without idler)
Height	68" (with muffler)
Width	48"
Weight	6,100 lbs. (uncrated), 6,500 lbs. (crated)

Radio remote control has a range of 300 feet for safety and convenience

WIRE SAW ACCESSORIES



HT45 Hydraulic Crimping Tool

Makes it easy to repair or connect diamond wire more easily

HT45 Crimping Tool Jaws
(set of 2 pieces)

Measures:
1.100" wide x .355" thick x .830 high



Plastic Idler Wheel Assembly
10" and 16"



Hand Held Crimping Tool



Screw Connectors



Crimp Jaws Only



Universal Tee



Universal Knuckle



Pipe Mounting Base



8" Idler Pulley



Wire Saw Clamp

M-2 Wire Saw:

- 6' column
- (longer columns available, up to 120")
- Anchor base with wheels
- Roller carriage for increased stability
- Built-in power travel driven by the hydraulic wire saw motor

Wire Saw Head:

Requires 22-27 gpm
Requires BS-2 remote



WIRE SAW ACCESSORIES			
Description	Part #	Cat #	List Price
HT45 Hydraulic Crimping Tool	1400174	68408	\$1,795
HT45 Crimping Tool Jaws	1400297	72310	125
C-12 Hand Held Wire Cutters	1900073	00159	952
Screw Connectors	1400180	51176	42
Wire Connectors 3/8"	1400177	74910	30
Swivel Connectors	1400178	48176	96
8" Idler Pulley	3400870	77760	649
8" idler pulley with clamp	3400896	73031	670
Universal Tee	6020004	02569	133
Universal Knuckle	6020002	02567	214
Wire Saw Clamp	6020003	02568	148
Pipe Mounting Base <i>Does not come with Flange Bolts Part # 2900164 (4 needed per base)</i>	6020000	02565	275
Flange Bolts (For Part # 6020000, 6020002, 6020003, 6020004)	2900164	01293	3
Wire Saw 7 Wheel (90 degree bracket)	6075128	21504	5,739
10" Plastic Idler Wheel Assembly	6020035	02583	460
16" Plastic Idler Wheel Assembly	6020025	02581	668
Swivel Crimp Pin Tool (For Pin Removal)	860404	67966	1,000
Punch Replacement (For Part # 860404)	148130	75678	119
M-2 Wire Saw with Standard Anchor Base	5802248	99915	8,591
M-2 Large Web Anchor Base for Wire Saw	6020045	45606	541

Wire Saw Accessories

CORE BORE INFORMATION

BIT R.P.M. CHARTS

**Segmented Core Bit Recommended
R.P.M. Reference Chart**

Bit Diameter	Minimum RPM	Maximum RPM	Ideal RPM
5/16"	7639	12736	10182
1/2"	4775	7960	6364
5/8"	3820	6368	5091
3/4"	3183	5307	4242
7/8"	2728	4549	3636
1"	2387	3980	3182
1-1/5"	1989	3317	2652
1-1/8"	2122	3538	2828
1-1/4"	1910	3184	2545
1-3/8"	1736	2895	2314
1-1/2"	1592	2653	2121
1-5/8"	1469	2449	1958
1-3/4"	1364	2274	1818
1-7/8"	1273	2123	1697
2"	1194	1990	1591
2-1/4"	1061	1769	1414
2-3/8"	1005	1676	1340
2-1/2"	955	1592	1273
2-3/4"	868	1447	1157
3"	796	1327	1061
3-1/4"	735	1225	979
3-1/2"	682	1137	909
4"	597	995	795
4-1/4"	562	937	749
4-1/2"	531	884	707
5"	477	796	636
5-1/2"	434	724	579
6"	398	663	530
6-1/4"	382	637	509
6-1/2"	367	612	490
7"	341	569	455
8"	298	498	398
9"	265	442	354
10"	239	398	318
12"	199	332	265
14"	171	284	227
16"	149	249	199
18"	133	221	177
20"	119	199	159
22"	109	181	145
24"	99	166	133
26"	92	153	122
28"	85	142	114
30"	80	133	106
32"	75	124	99
34"	70	117	94
36"	66	111	88
38"	63	105	84
40"	60	100	80
42"	57	95	76
44"	54	90	72
46"	52	87	69
48"	50	83	66

**Carbide/Plate Cutter Core Bit Recommended
R.P.M. Reference Chart**

Bit Diameter	Minimum RPM	Maximum RPM	Ideal RPM
1/2"	458	900	611
5/8"	367	900	489
3/4"	306	900	407
7/8"	262	900	349
1"	229	350	306
1-1/8"	204	350	272
1-1/4"	183	350	244
1-3/8"	167	350	222
1-1/2"	153	350	204
1-5/8"	141	350	188
1-3/4"	131	350	175
1-7/8"	122	350	163
2"	115	350	153
2-1/2"	92	350	122
3"	76	350	102
3-1/2"	65	350	87
4"	57	350	76
5"	46	350	61
6"	38	350	51

See page 166 for carbide core bits.

**Dry Hole Saw and Dry Vacuum Core Bit
Recommended R.P.M. Reference Chart**

Bit Diameter	Minimum RPM	Maximum RPM	Ideal RPM
7/8"	2300	6000	5457
1"	2300	6000	4775
1-1/4"	2300	6000	3820
1-1/2"	1600	5000	3183
1-3/4"	1600	5000	2728
2"	1200	5000	2387
2-1/4"	1200	5000	2122
2-1/2"	1200	5000	1910
3"	800	5000	1592
3-1/2"	800	5000	1364
4"	700	5000	1241
4-1/2"	700	5000	1103
5"	700	3500	993
6"	600	2500	828

See page 162 for dry core bits.

STAR BLUE & STANDARD GOLD WET CORE BORE



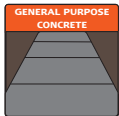
Star Blue

Good quality diamond and good coring value.



STAR BLUE WET CORE BORE BITS		
SIZE	BOL Cat #	List Price
1"	09978	\$102
1-1/8"	09979	109
1-1/4"	09981	126
1-1/2"	09989	132
1-3/4"	10022	146
2"	10028	167
2-1/4"	10029	181
2-1/2"	10031	202
3"	10041	237
3-1/2"	10055	274
4"	10057	318
4-1/4"	10072	342
4-1/2"	10074	391
5"	10083	415
6"	10084	500
8"	10103	730
10"	10173	889

Resegmenting not available for Star Blue bits.



Specification

BOL-General purpose, cured concrete and hard materials

Standard Gold

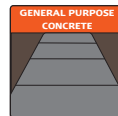
Better quality diamond and better coring value. Designed for average duty wet core drilling.



STANDARD GOLD WET CORE BORE BITS		
SIZE	SOH Cat #	List Price
2"	80143	\$247
2-1/4"	80145	262
2-1/2"	80146	291
2-3/4"	80149	316
3"	80153	318
3-1/4"	80156	390
3-1/2"	80157	399
4"	80160	422
4-1/4"	80161	465
4-1/2"	80166	524
4-3/4"	80177	541
5"	80182	564
5-1/4"	80183	642
5-1/2"	80187	663
6"	80193	683
6-1/4"	80194	773
6-1/2"	80195	930
7"	80196	1,003
8"	80197	1,072
9"	80200	1,305
10"	80201	1,406



Segment Height: .287" (7mm)



Specification

SOH- General purpose in hard materials

ORDERING INFORMATION:

All diameters are nominal. Exact tolerances upon request (Standard Gold).

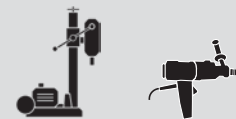
Core Bit Lengths: Up to 14" Diameter Core Bits Standard Core Length = 13"

16" Diameter Core bits Standard Core Length = 19" (Standard Gold).

Hub Sizes: 1-1/4" to 1-1/2" = 5/8"-11 threaded hub. 1-5/8" and up = 1-1/4"-7 threaded hub.

Star Blue Hub Sizes: 1" to 1-3/4" = 5/8"-11 threaded hub. 2" and up = 1-1/4"-7 threaded hub.

Available only with welded threaded hub. Not available with custom bonds.



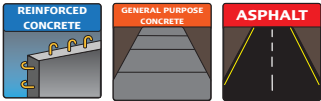
For use on mounted core rigs (all sizes) and hand held motors (3" and under)

HEAVY DUTY ORANGE WET CORE BORE



Heavy Duty Orange

Excellent footage and drilling speed. Designed for all types of wet drilling in applications with light to moderate steel. Very high quality diamond and longer coring life.



H38F
H42Z **HOL** **H64L**

Specifications

HOL- General Purpose, Longer Life

H38F-Hard aggregate w/ reinforcement

H42Z-Hard materials, river rock w/reinforcement

H64L-Asphalt/Block



Diamond Depth:
.237" (6mm)

HEAVY DUTY ORANGE WET CORE BITS									
SIZE	HOL Cat #	H38F Cat #	H42Z Cat #	H64L Cat #	Heavy Duty List Price	HOL Wide Space Cat #	Heavy Duty Wide Spaced List Price	Heavy Duty Open End Cat #	Heavy Duty Open End List Price
1/2"	05099	45547	95431	36273	\$164	---	---	81402	\$151
5/8"	05141	39237	73994	16875	169	---	---	81403	155
3/4"	05173	45548	05171	16877	181	---	---	72183	160
7/8"	05192	45549	05191	16886	189	---	---	81406	165
1"	04812	04809	21539	04810	196	---	---	28042	170
1-1/8"	04837	45550	83034	27000	201	---	---	23312	175
1-1/4"	15509	67903	23217	25596	206	---	---	25944	189
1-3/8"	04874	45552	83029	36274	215	---	---	16137	192
1-1/2"	15525	45554	23218	28619	220	---	---	05208	195
1-5/8"	04907	45555	15038	26414	223	---	---	16056	210
1-3/4"	04910	45556	23219	28621	234	---	---	16138	211
1-7/8"	04920	45561	78415	20934	257	---	---	16145	234
2"	15479	45563	20301	04934	269	20102	\$243	05212	243
2-1/4"	04959	45564	80125	04957	288	28637	262	16148	258
2-1/2"	00004	37094	18343	04976	323	05258	295	05216	293
2-3/4"	04992	45565	90035	28623	344	05260	318	16160	312
3"	00005	45567	05011	05013	380	05263	354	05220	345
3-1/4"	05032	45568	21540	28624	436	28671	385	16189	398
3-1/2"	00006	45569	24060	28625	439	22164	412	05224	401
4"	00007	45571	21917	05060	507	05269	455	05228	464
4-1/4"	05079	45572	58138	05077	547	28178	494	26118	501
4-1/2"	00008	45574	21541	05086	625	22165	571	27383	575
5"	00009	45575	21542	05107	665	05273	613	05232	609
5-1/2"	05117	45576	21543	28626	769	24610	719	16194	714
6"	00010	45577	18150	05131	802	05278	750	05238	737
6-1/4"	05144	99115	70897	05143	895	28638	844	27782	829
6-1/2"	05151	45578	78417	05150	1,110	28672	1,019	66853	1,043
7"	05163	45582	18151	24977	1,125	20415	1,069	05242	1,055
8"	05183	45585	18152	05180	1,167	05281	1,116	05246	1,065
9"	05199	45586	30302	28627	1,410	20055	1,359	05249	1,286
10"	04822	45588	44174	04820	1,434	21475	1,365	05206	1,294

ORDERING INFORMATION All bits may be ordered with custom bonds
Note: All diameters are nominal. Exact tolerances upon request.

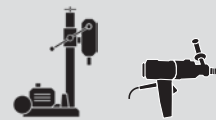
Core Bit Lengths: 1/2" to 7/8" Diameter Core Bits Standard Core Length= 12",

1" to 14" Diameter Core Bits Standard Core Length = 13"

16" Diameter Core bits Standard Core Length = 19"/18" Diameter Core Bits Standard Core Length = 22"

20" to 30" Diameter Core bits Standard Core Length = 23" Note: Any length available upon request.

Hub Sizes: 1/2" to 1-1/2" = 5/8"-11 threaded hub. 1-5/8" and up = 1-1/4"-7 threaded hub



For use on mounted core rigs
(all sizes) and hand held motors
(3" and under)



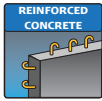
PREMIUM BLACK WET CORE BORE

Premium Black

With **VERY HIGH** diamond concentration, **Premium Black** gives maximum footage and drilling speed in all types of wet drilling applications. **Good in moderate to high steel applications.** Highest quality diamond and longest coring life



POL



P38Z



P64L

Specifications

POL-General Purpose, Longest Life

P38Z-Hard aggregate with reinforcement

P64L-Asphalt/Block



Diamond Depth:
.237" (6mm)

PREMIUM BLACK WET CORE BITS

SIZE	POL Cat #	P38Z Cat #	P64L Cat #	Premium Black List Price	POL Wide Space Cat #	Premium Black Wide Spaced List Price	Premium Open End Cat #	Premium Open End List Price
1/2"	05826	05824	28585	\$166	---	---	81413	\$172
5/8"	05917	05915	61808	171	---	---	81415	177
3/4"	05962	05960	28587	193	---	---	81416	192
7/8"	06004	06001	25115	201	---	---	06123	195
1"	05293	05289	19871	205	---	---	06022	200
1-1/8"	05338	05334	64328	209	---	---	06030	203
1-1/4"	05381	05376	22003	234	---	---	06032	211
1-3/8"	05404	05401	36271	237	---	---	17181	222
1-1/2"	05441	05432	05438	241	37393	\$194	06035	225
1-5/8"	05472	05469	36267	282	---	---	17198	264
1-3/4"	05483	05478	28595	289	06157	260	18673	267
1-7/8"	05509	05506	28596	298	81411	269	17200	273
2"	05529	05518	05525	307	18517	275	06041	278
2-1/4"	05571	05567	23771	329	06159	297	24152	300
2-1/2"	05607	05599	28597	343	06160	336	06051	313
2-3/4"	05629	18408	28598	393	20036	360	24153	359
3"	05661	05647	21246	440	06165	408	06062	406
3-1/4"	05688	05685	05686	477	28609	442	36266	443
3-1/2"	05709	05699	28599	489	06169	474	06077	447
4"	05761	05745	05753	604	06175	531	06087	497
4-1/4"	05791	05784	05788	645	28610	580	06095	600
4-1/2"	05805	05801	23173	702	18400	662	06097	654
5"	05843	05834	24580	768	06182	704	06105	711
5-1/2"	05867	05862	28600	889	18754	825	06109	830
6"	05892	05882	05886	924	06187	862	06114	860
6-1/4"	05921	05920	28601	995	28611	936	20662	927
6-1/2"	05927	16758	28602	1,181	17898	1,126	30213	1,110
7"	05945	05938	28603	1,247	18209	1,181	06118	1,167
8"	05984	05973	05980	1,286	18210	1,229	06121	1,184
9"	06013	06010	28604	1,566	18211	1,503	06124	1,443
10"	05306	05300	28605	1,621	18035	1,556	06025	1,492

ORDERING INFORMATION

All bits may be ordered with custom bonds

Note: All diameters are nominal. Exact tolerances upon request.

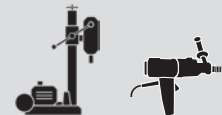
Core Bit Lengths: 1/2" to 7/8" Diameter Core Bits Standard Core Length= 12",

1" to 14" Diameter Core Bits Standard Core Length = 13"

16" Diameter Core bits Standard Core Length = 19"/18" Diameter Core Bits Standard Core Length = 22"

20" to 30" Diameter Core bits Standard Core Length = 23" Note: Any length available upon request.

Hub Sizes: 1/2" to 1-1/2" = 5/8"-11 threaded hub. 1-5/8" and up = 1-1/4"-7 threaded hub



For use on mounted core rigs (all sizes) and hand held motors (3" and under)

IT DOESN'T GET ANY BIGGER THAN CORE BORE.

Core Bore is the name you need to know when core drilling. We offer large diameter sizes up to 78" and custom-made Core Bore to fit you drilling applications.



A-FLANGE



SOLID BACK



BIG BITS WITH BIG HUB OPTIONS:

- A-Flange & C-Flange - Special drill mounts
- Solid Back - For heavy duty applications
- Bolt-On - Allows removal of hub to access the core
- Spoke Back - Light weight with inside radial water sprayer



SPOKE BACK



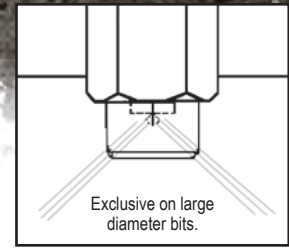
MADE IN THE
U.S.A.

**HEAVY DUTY ORANGE
LARGE DIAMETER
WET CORE BITS - SOLID BACK**

SIZE	SOLID BACK HOL Cat #	SOLID BACK List Price	Reseg List Price
12"	04853	\$1,642	\$1,314
14"	04882	2,028	1,622
16"	04903	2,318	1,854
18"	04918	2,637	2,110
20"	04947	2,876	2,301
22"	04954	3,575	2,860
24"	04968	4,261	3,409

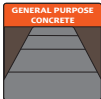
**PREMIUM BLACK LARGE
DIAMETER WET CORE BITS -
SOLID BACK**

SIZE	SOLID BACK HOL Cat #	SOLID BACK List Price	Reseg List Price
12"	05361	\$1,812	\$1,450
14"	05417	2,237	1,790
16"	05462	2,477	1,982
18"	05498	2,901	2,321
20"	05536	3,194	2,555
22"	05562	3,887	3,110
24"	05584	4,542	3,634



**Large Diameter
Wet Core Bits**

Large diameter bits include a spoke back hub that has a built in 45 degree radial water sprayer which gets water to the tube and segments where it is needed.



**HOL
POL**

HOL-General Purpose, Long Life

**HEAVY DUTY ORANGE LARGE DIAMETER
WET CORE BITS**

SIZE	Spoke Hub HOL Cat #	Spoke Hub List Price	A-Flange HOL Cat #	A-Flange List Price	Reseg List Price
12"	04511	\$1,945	49476	\$1,724	\$1,269
14"	78448	2,379	53460	2,129	1,567
16"	57027	2,715	17465	2,434	1,791
18"	69993	3,083	70531	2,769	2,038
20"	04947	2,876	18630	3,020	2,222
22"	80331	3,780	30037	3,754	2,762
24"	03644	4,686	50659	4,474	3,292
26"	04986	5,216	25128	5,477	4,030
28"	04996	5,810	66168	6,101	4,490
30"	05023	6,464	63640	6,787	4,994
32"	05031	6,978	48507	7,327	5,392
34"	28641	7,538	51537	7,915	5,825
36"	25778	8,141	02976	8,548	6,290
38"	28642	8,681	32975	9,115	6,708
40"	28643	9,115	50502	9,571	7,043
42"	28644	10,065	33239	10,568	7,778
44"	41642	10,567	33247	11,095	8,166
46"	41643	11,097	---	---	8,574
48"	28055	11,748	33331	12,335	9,078
54"	41915	19,697	27188	20,682	15,221
56"	35251	20,736	33335	21,773	16,023
60"	25046	22,334	33348	23,451	17,258

POL-General Purpose, Longest Life

**PREMIUM BLACK LARGE DIAMETER WET
CORE BITS**

SIZE	Spoke Hub POL Cat #	Spoke Hub List Price	A-Flange POL Cat #	A-Flange List Price	Reseg List Price
12"	09546	\$2,516	49697	\$1,903	\$1,400
14"	70661	2,591	78290	2,349	1,729
16"	56788	2,879	09758	2,601	1,914
18"	56858	3,351	93221	3,046	2,242
20"	55440	3,690	48928	3,354	2,468
22"	59823	4,079	28954	4,081	3,004
24"	56846	4,856	29081	4,769	3,510
26"	05622	5,523	29170	5,799	4,268
28"	05632	6,100	34032	6,405	4,714
30"	05671	6,810	32980	7,151	5,262
32"	05682	7,343	35952	7,710	5,674
34"	05696	7,913	---	---	6,114
36"	05721	8,510	31623	8,936	6,576
38"	05740	9,172	34031	9,631	7,087
40"	24832	9,538	72867	10,015	7,370
42"	05781	10,941	33569	11,488	8,454
44"	05797	11,023	---	---	8,518
46"	32564	11,532	---	---	8,911
48"	05817	12,225	33585	12,836	9,446
54"	33621	20,027	33789	21,028	15,475
56"	05871	21,616	33809	22,697	16,703
60"	20691	22,597	34012	23,727	17,462

Spoke-back standard on bits 25" diameter and up.

Larger sizes are available. Please consult the factory for more information.

ORDERING INFORMATION:

All bits may be ordered with custom bonds.

Examples of Standard Core Length: 20" to 29" = 23", 30" to 72" = 35"

Note: Lengths longer than the standard are quoted on an individual basis.

Hub Sizes: •1-1/4"-7 threaded hub unless otherwise specified. •1-7/8"-7 hub with 1-1/4"-7 adapter included on bits above 36".

Note: All diameters are nominal. Exact tolerances upon request.

PROFESSIONAL WET CORE BORE



Super Premium Red

Higher quality diamond with wide spaced segments for fast drilling in moderate steel. Tall segment for Longer life.



Diamond Depth: .350" (8.89mm)

Specification
SPOL- General concrete



Pro Blue

Very high quality diamond with wide spaced segments for very fast drilling in heavy steel and medium aggregate.



Diamond Depth: .237" (6mm)

Specification
TOL- General concrete



COMMANDER

Very high quality diamond with V-Shaped segments for the fastest coring in reinforced concrete



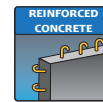
Specification
CMD- Reinforced Concrete, Fast Coring, Long Life

Super Premium Wet Core Bits				
SIZE	SPOL Cat #	List Price	Open End Cat #	Open End List Price
1"	06629	\$219	17818	\$181
1-1/4"	21128	250	17855	236
1-1/2"	06639	258	17865	246
1-3/4"	06640	314	34429	289
2"	06641	332	70389	305
2-1/2"	06647	366	06686	337
3"	06650	473	30001	438
3-1/2"	06652	510	22377	469
4"	06654	645	70466	540
4-1/2"	06660	750	75339	702
5"	06662	830	73215	775
6"	06665	988	06700	921
7"	06670	1,321	17923	1,241
8"	06672	1,435	77867	1,333
9"	06676	1,709	17947	1,583
10"	06631	1,852	17950	1,720

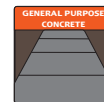
Pro Blue Wet Core Bits				
SIZE	TOL Cat #	List Price	Open End Cat #	Open End List Price
1"	06712	\$232	06920	\$188
1-1/8"	06725	237	32200	223
1-1/4"	06732	267	17687	254
1-3/8"	20645	271	32201	261
1-1/2"	06740	276	06923	266
1-5/8"	06743	306	32207	283
1-3/4"	19920	322	17701	297
1-7/8"	81099	348	32233	309
2"	06753	353	06927	320
2-1/2"	06760	399	06930	367
3"	06771	498	06935	454
3-1/2"	06781	554	06939	509
4"	06791	675	06941	572
4-1/2"	06802	793	06943	711
5"	06808	903	06946	845
5-1/2"	06812	949	48095	920
6"	06819	1,012	06949	945
6-1/2"	06824	1,289	48101	996
7"	06826	1,399	36275	1,317
8"	06833	1,598	06951	1,492
9"	06841	1,868	36276	1,741
10"	06715	2,021	06921	1,784

COMMANDER Core Bits		
SIZE	CMD Cat #	List Price
2"	71197	\$339
2-3/4"	74895	431
3"	71198	485
3-1/2"	77367	539
4"	74513	664
4-1/4"	77370	709
4-1/2"	77371	772
5"	44547	845
6"	71200	1,017
7"	78567	1,373
8"	77274	1,414
9"	83384	1,518
10"	77275	1,621
11"	81866	1,717
12"	71202	1,993
14"	98953	2,237
16"	71203	2,723
*22"	01584	4,860
*24"	68967	5,342

Our **Super Premium Red & Pro Blue** bits are designed with the professional driller in mind. They have a wider spaced segment design which delivers more power to the cutting surface. This additional power results in faster coring and higher productivity.



SPOL
TOL
CMD



SPOL
TOL



Profile view of Commander segment

ORDERING INFORMATION:

All bits may be ordered with custom bonds

Note: All diameters are nominal.
Exact tolerances upon request.

Core Bit Lengths:

1/2" to 7/8" Diameter Core Bits Standard Core Length= 12"
Up to 14" Diameter Core Bits Standard Core Length = 13"

Hub Sizes: 1/2" to 1-1/2" = 5/8"-11 threaded hub.

1-5/8" and up = 1-1/4"-7 threaded hub.



For use on mounted core rigs (all sizes) and hand held motors (3" and under)

SPECIALTY WET CORE BORE

HIGH STEEL CONCRETE BIT



Supreme Silver

Highest high quality diamond concentration meant for smaller holes in **very heavy steel and medium aggregate.**



Diamond Depth: .237" (6mm)

Specification

UOF-General concrete with heavy steel
UOL-General drilling concrete, fast drilling

PRECAST BITS



Heavy Duty Orange

Made to resist segment failure from coring through pre-tensioned wire in precast materials Very high quality diamond and long coring life.



Specification

HOL-General Concrete, Fast Coring, Long Life



Premium Black

Made to resist segment failure from coring through pre-tensioned wire in precast materials. Very high quality diamond and longest coring life.



Specification

POL-General Concrete, Fast Coring, Longest Life

Supreme Silver Wet Core Bits

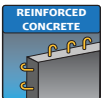
SIZE	UOF Cat #	UOL Cat #	List Price
1/2"	07190	07191	\$204
5/8"	07200	13698	209
3/4"	07208	07209	233
7/8"	07220	07222	240
1"	07097	07098	246
1-1/8"	07110	07113	248
1-1/4"	07120	07121	276
1-3/8"	07127	14699	282
1-1/2"	07137	07138	300
1-5/8"	07146	20718	351
1-3/4"	07154	07155	356
1-7/8"	07160	24067	365
2"	07165	07166	391

Heavy Duty Orange Precast Core Bits

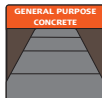
SIZE	HOL Cat #	List Price
1"	41210	\$176
1-1/4"	41211	230
1-1/2"	41212	239
1-3/4"	41213	262
2"	41214	277
2-1/2"	41215	364
3"	41216	428
3-1/2"	41217	496
4"	41218	575
4-1/2"	41219	705
5"	41220	752
6"	41221	905
7"	41222	1,274
8"	41223	1,321
9"	41224	1,598
10"	41225	1,611

Premium Black Precast Core Bits

SIZE	POL Cat #	List Price
1"	41226	\$204
1-1/4"	41227	261
1-1/2"	41228	273
1-3/4"	41229	327
2"	41230	348
2-1/2"	41231	388
3"	41232	498
3-1/2"	41233	553
4"	41234	683
4-1/2"	41235	797
5"	41236	869
6"	41237	1,047
7"	41238	1,413
8"	41239	1,460
9"	41240	1,773
10"	41241	1,838



UOF



UOL



ORDERING INFORMATION:

All bits may be ordered with custom bonds

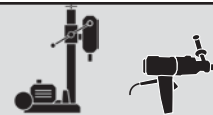
Note: All diameters are nominal.
Exact tolerances upon request.

Core Bit Lengths: Standard Core Length = 13"

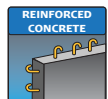
Note: Any length available upon request.

Hub Sizes: 1" to 1-1/2" = 5/8"-11 threaded hub.

1-5/8" and up = 1-1/4"-7 threaded hub.



For use on mounted core rigs (all sizes) and hand held motors (3" and under)



HOL
POL
PRECAST

TURBO WET CORE BORE



Star Blue

Good quality diamond and good coring value. Serrated segment for faster coring



Specification

TBOWL- General purpose, moderate steel



Heavy Duty Orange

Very high quality diamond and longer coring life in **medium aggregate concrete with moderate steel**. Serrated segment for faster coring.



Diamond Depth: .237"

Specification

THOWL- General purpose Moderate steel Longer Life



Premium Black

Highest quality diamond and longest coring life in **medium aggregate concrete with heavy steel**. Serrated segment for faster coring.



Diamond Depth: .237"

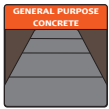
Specification

TPOWL- General purpose with high steel, Longest Life

Star Blue Turbo Bits		
SIZE	TBOWL Cat #	List Price
2"	32955	\$148
2-1/2"	10186	181
3"	10237	204
3-1/2"	10238	231
4"	10266	248
4-1/2"	10272	257
5"	10290	329
6"	10305	405
8"	10307	692
10"	10323	737
12"	23251	1,071

Heavy Duty Orange Turbo Bits		
SIZE	THOWL Cat #	List Price
1-1/2"	06885	\$187
1-3/4"	35416	233
2"	06888	255
2-1/4"	06889	268
2-1/2"	06893	303
3"	06896	349
3-1/4"	93299	394
3-1/2"	06898	420
4"	06901	465
4-1/4"	06902	589
4-1/2"	06905	606
5"	06907	619
5-1/2"	23868	765
6"	06910	815
7"	06911	928
8"	06914	1,061
9"	06915	1,153
10"	06880	1,264
12"	06882	1,490
14"	65118	2,022
16"	38999	2,420

Premium Black Turbo Bits		
SIZE	TPOWL Cat #	List Price
1-1/2"	06957	\$219
1-5/8"	76893	238
1-3/4"	30049	253
2"	06960	293
2-1/4"	06962	307
2-1/2"	06965	327
3"	06969	393
3-1/4"	44618	430
3-1/2"	06972	489
4"	06974	508
4-1/4"	06977	624
4-1/2"	06978	678
5"	06979	725
5-1/2"	06981	833
6"	06982	902
7"	06987	1,125
8"	06988	1,133
9"	16094	1,299
10"	06955	1,450
12"	06956	1,595
14"	23026	2,317
16"	24481	2,700



TBOWL
THOWL
TPOWL



Serrated segment design for less surface to surface contact

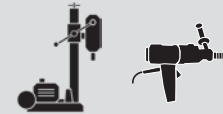
ORDERING INFORMATION:

Note: All diameters are nominal.
Exact tolerances upon request.

Core Bit Lengths: Standard Core Length = 13"

Note: Any length available upon request.

Hub Sizes: 1" to 1-1/2" = 5/8"-11 threaded hub.
1-5/8" and up = 1-1/4"-7 threaded hub.



For use on mounted core rigs (all sizes) and hand held motors (3" and under)

SPECIALTY TURBO WET CORE BORE

WET

Super Premium + Red

High diamond concentration and quality for very long life. **Fastest coring bit in various applications with heavy steel.** Extra high diamond depth of .400" for the longest life and fastest core.



Ribbed segment design for a faster cut-saving you time and money



Segment Top View

Diamond Depth: .400"

Specifications

- TSPOL**-General purpose moderate steel,
- TSP38L**-Hard aggregate, fast coring
- TSP64L**-Asphalt & block, fast coring
- TSPSAG3+**-Fast coring in hard aggregate with moderate steel

Great White

The Great White Core Bore bit is sure to chew a hole right through concrete with the specialized diamond 'Shark-Tooth' segments. These pointed segments offer fast coring and long life.



Profile view of the 'Shark-Tooth' segment

Specifications:

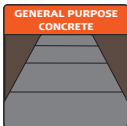
- GWOL** - Fast coring in general purpose concrete with medium aggregate and reinforcement
- GWSL** - Fast coring in critically hard concrete with medium aggregate and reinforcement

Super Premium Red Turbo Bits

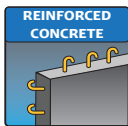
SIZE	TSPOL Cat #	TSP38L Cat #	TSP64L Cat #	TSPSAG3+ Cat #	List Price
2"	84820	45632	17056	77374	\$332
2-1/2"	84821	45633	84853	77774	366
3"	84822	54702	17057	77219	473
3-1/2"	84823	58156	20939	77882	510
4"	84824	45634	84856	77474	581
4-1/2"	84825	45635	20942	78400	750
5"	84826	45639	17058	77475	830
6"	84827	58158	17063	77476	988
7"	84828	45642	20943	78082	1,321
8"	84829	45644	20945	77372	1,435
9"	84830	45647	20946	78171	1,709
10"	84831	45650	84863	77373	1,852

GREAT WHITE CORE BORE BIT

Size	Part #	GWOL Cat #	GWSL Cat #	List Price
2"	BGW2000	80088	84761	\$339
2-1/2"	BGW2500	80089	84763	376
3"	BGW3000	80094	84292	485
3-1/2"	BGW3500	80095	29694	538
4"	BGW4000	80098	84295	664
4-1/2"	BGW4500	80100	29856	772
5"	BGW5000	80101	84764	845
6"	BGW6000	80102	84304	1,017
8"	BGW8000	80103	30725	1,414
10"	BGW10000	80105	42952	1,784
12"	BGW12000	80106	48611	1,993



SPOL
GWOL



TSP38L
TSPSAG3+
GWSL



GWSL



TSP64L



'Shark-Tooth' segment offers fast coring and long life due to the pointed shape and cutout.

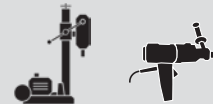
ORDERING INFORMATION:

All bits may be ordered with custom bonds

Note: All diameters are nominal.
Exact tolerances upon request.

Core Bit Lengths: Standard Core Length = 13"
Note: Any length available upon request.

Hub Sizes: 1" to 1-1/2" = 5/8"-11 threaded hub.
1-5/8" and up = 1-1/4"-7 threaded hub.



For use on mounted core rigs (all sizes) and hand held motors (3" and under)

THINWALL HANDHELD WET CORE BORE



SPECIFICATIONS:

POL & UOL-General purpose, fast coring

P38Z & U38Z-Fast coring in harder materials and stone



Premium Black and Supreme Silver Thinwall Handheld Core Bits

SIZE	POL Cat #	P38Z Cat #	Premium List Price	UOL Cat #	U38Z Cat #	Supreme List Price
1/2"	07061	23273	\$131	28516	37777	\$154
5/8"	07065	23322	141	28517	52665	169
3/4"	07071	76132	182	28518	37778	193
7/8"	07077	07075	185	28519	65957	198
1"	07017	20184	188	28520	62004	209
1-1/8"	07021	23260	193	28521	37967	228
1-1/4"	07027	19053	199	28522	83931	240
1-3/8"	07031	20676	203	28523	77558	246
1-1/2"	07037	07035	207	28524	77618	250
1-5/8"	18222	36879	211	28525	95572	253
1-3/4"	07043	21854	215	28526	38966	257
1-7/8"	18223	27647	219	28527	84008	262
2"	07050	07047	222	28528	36236	268
2-1/4"	17941	07052	232	28529	45652	281
2-3/8"	18224	27139	268	28530	45653	323
2-1/2"	17948	18927	276	28531	58376	334
2-3/4"	18225	26817	292	28532	45654	355
3"	17827	22307	306	28533	45491	368
3-1/2"	17911	25670	364	57545	55332	419
4"	17828	22628	406	28534	79364	490
5"	17829	39599	555	28535	45658	667
6"	17940	27145	667	28536	45660	806

Measurements of Thinwall Core Bits

Outside Diameter	Inside Diameter	Outside Diameter	Inside Diameter
1/2"	.330	1-3/8"	1.200
5/8"	.450	1-1/2"	1.325
3/4"	.575	1-5/8"	1.450
7/8"	.700	1-3/4"	1.680
1"	.830	1-7/8"	1.700
1-1/8"	.950	2"	1.830
1-1/4"	1.080	2-1/2"	1.980

ORDERING INFORMATION:

All thinwall bits have a 5/8"-11 hub. Other specifications available upon request.
 1/2" to 7/8" = 12" core length-1" and up = 13" core length.
 Add \$12 for Built-In BANTAM Hub

Note: All diameters are nominal. Exact tolerances upon request.



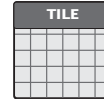
Premium Black Stone Bits

- Wet core bits for drilling marble and granite
- Core length of 2" allows an accurate hole in hard materials
- Crown style for a smooth finish
- 3" overall length



Premium Black Tile Bits

- Wet thinwall core bits with 2" core length for fast, smooth coring in tile
- The soft bond handles very hard tile and the thin crown segment creates a nice finished core
- 3" overall length.



SPECIFICATION:

P28Z-Very hard materials, fast coring

Premium Black Bits for Natural Stone		
SIZE	P28Z Cat #	List Price
1"	28026	\$227
1-1/4"	28027	297
1-3/8"	28029	299
1-1/2"	28033	305
1-3/4"	28034	364

SPECIFICATION:

P28Z-Very hard materials, fast coring

Straight Shank Adapters & Water Swivels		
Description	Cat #	List Price
3/8" SS to 5/8-11 adapter	01913	\$13
1/2" SS to 5/8-11 adapter	01899	24
5/8" SS to 5/8-11 adapter	01936	13
75HD water swivel 5/8-11 to 5/8-11 with water valve	01885	254

Premium Black Tile Bits		
SIZE	P28Z Cat #	List Price
1"	73910	\$222
1-1/4"	73913	256
1-3/8"	73914	262
1-1/2"	73924	268
1-3/4"	73915	279
2"	73923	288



PLATED WET CORE BORE



10 Piece Set

Includes: 5/8", 7/8", 1", 1-1/4", 1-3/8", 1-1/2", 2", 3-1/4" bits and precision pilot with carbide center bit

14 Piece Set

Includes: 5/16", 5/8", 7/8", 1", 1-1/4", 1-3/8", 1-1/2", 2", 2-3/8", 2-7/8", 6" carbide file, universal guide with suction cup and water pump

Plated Hole Saw Bits-Individual

SIZE	Cat #	List Price
1/8"	04235	\$15
1/4"	04236	24
5/16"	07344	30
3/8"	04237	35
1/2"	04239	52
5/8"	09324	54
7/8"	09326	56
1"	04240	62
1-1/4"	04241	68
1-3/8"	04243	79
1-1/2"	04248	80
1-5/8"	09330	96
2"	04250	109
2-1/4"	04251	126
2-3/8"	04253	159
2-1/2"	04254	168
2-7/8"	09334	173
3"	04255	179
3-1/4"	09335	189



5 Piece Set with Universal Guide

Universal guides can help you keep your bit straight and aligned with your desired drilling spot
Includes: 1/8", 1/4", 5/16", 3/8", 1/2" and universal guide

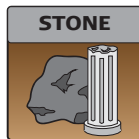


Suction Ring Set

These trap rings prevent the use of putty dam. Putty dam is clay or putty rolled into a ring to prevent water from escaping the drilling area.

Plated Hole Saw-Sets

DESCRIPTION	Cat #	List Price
5 piece set with universal guide	04257	\$174
10 piece set with pilot adapter	03287	468
14 pieces set with guide, water bottle	04258	874
Suction rings 1-1/2" & 3" set	03288	36



Materials:

- Tile-all types
- Marble
- Granite
- Glass
- Fiberglass
- Pottery
- Mirror
- Slate

ORDERING INFORMATION:

Resegmenting, extra core length and custom bonds are NOT available.



For use on hand held motors

DRY HOLE SAW CORE BORE



Star Blue
Good quality diamond and good coring value



DB-Block and soft brick-not for use on concrete



Heavy Duty Orange
Very high quality diamond and longer coring life



DH-Block and soft brick-not for use on concrete

Star Blue Dry Hole Saw Bits				
SIZE	DB Cat #	Max RPM/ Min RPM	Drill/Grinder Min. Amps	List Price
1"	35385	6000/2300	6	\$99
1-1/4"	35390	6000/2300	6	107
1-1/2"	35392	5000/1600	7	122
2"	35406	5000/1200	7	147
2-1/2"	35440	5000/1200	7	185
3"	35444	5000/800	7	207
3-1/2"	35452	5000/800	10	233
4"	35453	5000/700	10	247
4-1/2"	35459	5000/700	10	298
5"	35478	3500/700	10	344
6"	35479	2500/600	10	426

Heavy Duty Orange Dry Hole Saw Bits				
SIZE	DH Cat #	Max RPM/ Min RPM	Drill/Grinder Min. Amps	List Price
7/8"	04771	6000/2300	6	\$155
1"	04706	6000/2300	6	160
1-1/4"	04711	6000/2300	6	165
1-1/2"	04717	5000/1600	7	190
1-3/4"	04720	5000/1600	7	201
2"	00011	5000/1200	7	224
2-1/4"	04727	5000/1200	7	237
2-1/2"	00012	5000/1200	7	244
3"	00013	5000/800	7	318
3-1/2"	00014	5000/800	10	358
4"	04745	5000/700	10	379
4-1/2"	04751	5000/700	10	459
5"	04756	3500/700	10	528
6"	04764	2500/600	10	657

Dry bits are used with intermittent cuts allowing air to cool the bit **NO WATER NEEDED**

Adapters for Dry Bits			
Description	Part #	Cat #	List Price
5/8"-11 pilot adapter (for right angle grinders)	4400035	01902	\$47
1/2" straight shank pilot adapter (for 1/2" drill chuck)	4400034	01901	48
1/2" carbide pilot drill with A-Taper	1400029	00033	57

Ordering Information (Dry Hole Saws):

- Not all types of brick and block can be drilled-please consult factory
- 9" drilling depth (11" on Star Blue) and 5/8"-11 hub
- Jacobs Chuck adapter available for hand held rotary drills 5/8"-11 thread to straight shank
- Custom bonds, extra core length and re-segmenting is not available on dry core bits



For use on right angle grinders and hand held core drills

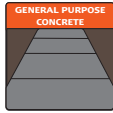
DRY HOLE SAW & VACUUM CORE BORE



Premium Black DRY HOLE SAW

Highest quality diamond and longest life
Wider segments with heavier barrel wall to withstand harder brick and prevent segment loss.

- 9" drilling depth with 1.250"-12 threaded hub



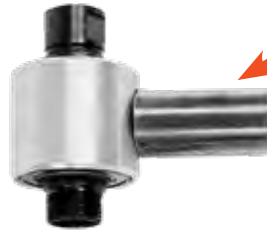
DP-Brick/block and non-reinforced concrete

Heavy Duty Orange DRY VACUUM BIT

Very high quality diamond and Longer Life

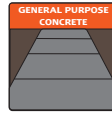
Dry Vacuum Bit Notes:

- Do not use in applications with steel heavier than wire mesh
- 9" drilling depth with 1.250"-12 threaded hub
- NOT designed for hard aggregate concrete



DRY VACUUM BIT ADAPTER

For use with a standard shop vacuum to remove dust and debris. Great for use in clean areas where dust control is required.



DVH-Brick/block and non-reinforced concrete

Premium Black Dry Hole Saw Bits				
SIZE	DP Cat #	Max RPM/Min RPM	Drill/Grinder Min. Amps	List Price
7/8"	46326	6000/2300	6	\$170
1"	46327	6000/2300	6	173
1-1/4"	46328	6000/2300	6	187
1-1/2"	46329	5000/1600	7	216
1-3/4"	46330	5000/1600	7	228
2"	46331	5000/1200	7	255
2-1/4"	46332	5000/1200	7	269
2-1/2"	46333	5000/1200	7	278
3"	46334	5000/800	7	364
3-1/2"	46335	5000/800	10	409
4"	46336	5000/700	10	432
4-1/2"	46337	5000/700	10	523
5"	46338	3500/700	10	603
6"	46339	2500/600	10	748

Heavy Duty Orange Dry Vacuum Bits			
SIZE	DVH Cat #	Max RPM/Min RPM	List Price
1-1/2"	04775	5000/1600	\$190
1-3/4"	04777	5000/1600	201
2"	04780	5000/1200	224
2-1/4"	04782	5000/1200	237
2-1/2"	04785	5000/1200	244
3"	04789	5000/800	318
3-1/2"	04793	5000/800	358
4"	04796	5000/700	379
4-1/2"	04799	5000/700	459
5"	04802	3500/700	528
6"	04805	2500/600	657

*Dry Vacuum Bits Must Use a Core Vac Dry Vacuum Air Swivel

Core Vac Dry Vacuum Air Swivel			
Description	Part #	Cat #	List Price
5/8"-11 to 1.250"-12 Core Vac Dry Vacuum Air Swivel Assembly	4400125	01950	\$295
Swivel Extension-(12")	4400126	01951	64
1-1/4"-7F 1.250-12M Threaded Adapter for Use on the WEKA DK13 Motor	4400320	75698	57

Ordering Information (Dry Hole Saws):

- Not all types of brick and block can be drilled-please consult factory
- 9" drilling depth (11" on Star Blue) and 5/8"-11 hub
- Jacobs Chuck adapter available for hand held rotary drills 5/8"-11 thread to straight shank
- Custom bonds, extra core length and re-segmenting is not available on dry core bits



For use on right angle grinders and hand held core drills

Dry bits are used with intermittent cuts allowing air to cool the bit
NO WATER NEEDED



THREADED WET CORE BORE

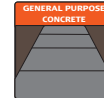
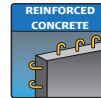


Threaded Core Bits

- Allows increased range of drilling depth with continuous tubing threaded bits and barrels
- Additional barrel lengths can be added as you drill deeper, similar to oil drilling
- Standard threaded bits have a core length of 12" and extra barrel lengths are available in 12", 24", 36" and 48"
- Segment width of threaded bits are .187" for bits 1-1/2" to 6"
- Threaded bits 6-1/2" to 10" have .250" segment width

Specifications:

- HOL-** General purpose, cured concrete with moderate steel
- POL-** General purpose, concrete with heavy steel, long life
- P38F-** Very hard aggregate with heavy steel
- UOF-** High diamond concentration for concrete with extremely high steel content



HOL
POL
P38F
UOF

HOL
POL

P38F
UOF

Threaded Bits

SIZE	HD Orange HOL Cat #	HD Orange List Price	Premium Black POL Cat #	Premium Black P38F Cat #	Premium Black List Price	Supreme Silver UOF Cat #	Supreme Silver List Price
1"	---	---	06128	21024	\$218	31418	\$360
1-1/4"	---	---	19156	50088	278	28326	404
1-1/2"	44577	\$304	06134	45661	358	29515	451
2"	18073	387	06138	45662	473	07233	627
2-1/4"	36614	396	06140	45665	487	71468	649
2-1/2"	05252	466	06143	45667	567	18259	712
2-3/4"	05253	478	23245	26447	576	18260	725
3"	28541	509	06144	68191	639	18261	812
3-1/4"	---	---	28546	89512	696	---	---
3-1/2"	17967	576	06146	26484	726	18297	822
4"	05254	663	06148	97678	824	83914	899
4-1/4"	---	---	87522	45672	920	Custom bond specifications available upon request.	
5"	45315	828	06150	45673	1,033		
5-1/2"	---	---	28548	45675	1,129		
6"	28543	973	06151	45680	1,231		
6-1/4"	---	---	50412	45681	1,292		
6-1/2"	69850	1,082	28550	45684	1,412		
7"	52319	1,232	06152	45685	1,520		
8"	28186	1,251	06154	45686	1,537		
9"	50411	1,476	28551	92032	1,824		
10"	79382	1,641	06129	53921	2,517		



For use on
mounted
core rigs

THREADED CAPS & BARRELS

WET



Threaded Caps and Barrels are used for deep hole drilling. The barrels can be pieced together as you drill deeper.

Threaded Caps & Threaded Barrels

DIAMETER	Threaded Cap Part #	1-1/4"-7 Threaded Cap List Price	12" Core Barrel Part #	12" Core Barrel List Price	24" Core Barrel Part #	24" Core Barrel List Price	36" Core Barrel Part #	36" Core Barrel List Price	48" Core Barrel Part #	48" Core Barrel List Price
1"	06862	\$154	60334	\$152	56985	\$167	62087	\$251	91894	\$264
1-1/4"	06864	158	85085	154	76835	171	80066	258	62088	275
1-1/2"	06865	161	47307	156	52106	180	47312	269	54789	290
2"	06867	165	47308	158	47773	182	47774	271	53897	293
2-1/4"	06868	168	58974	233	58975	258	82301	283	95136	307
2-1/2"	06869	247	49936	236	49937	265	49938	294	65808	330
2-3/4"	54344	255	60161	240	54343	272	85872	306	69504	340
3"	06870	257	47309	243	49917	275	47314	308	47509	343
3-1/4"	73973	263	85705	249	89515	288	73974	328	73975	367
3-1/2"	06872	278	49912	255	49913	300	49914	347	57188	395
4"	06873	283	47310	257	49925	324	47315	384	54236	441
4-1/4"	58973	289	58972	259	58971	362	47874	474	25922	589
4-1/2"	49895	301	49919	265	49920	378	49921	500	72869	619
5"	06874	321	47588	293	48713	401	49931	533	56475	665
5-1/2"	58910	330	58911	321	58912	504	25926	686	25930	870
6"	06875	351	47311	373	49933	608	47316	843	56078	1,077
6-1/4"	19357	353	20976	425	19348	711	58927	998	20918	1,285
6-1/2"	49088	462	49087	952	25933	1,141	25934	1,330	97036	1,521
7"	06876	471	62372	1,053	86403	1,342	62373	1,634	71541	1,924
8"	06877	500	53570	1,060	54813	1,357	47479	1,643	51261	1,938
9"	55077	508	82978	1,067	81181	1,375	55076	1,680	92031	1,987
10"	06863	617	68676	1,375	49465	1,852	49947	2,307	49464	2,764

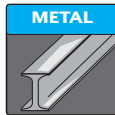
Threaded caps and barrels are not included in the free freight policy. Freight charges apply.

CARBIDE CORE BORE BITS



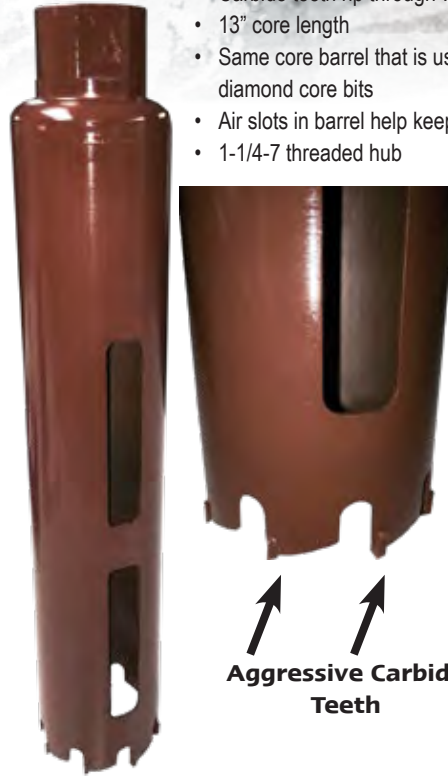
Carbide Rebar & Plate Cutters

- Designed to cut through rebar or plate steel after a diamond core bit has drilled through the concrete
- Carbide inserts are brazed into the core barrel These specialized bits must be used with water to keep the bit cool while drilling in steel
- 10" Standard core length



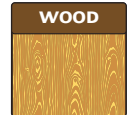
Carbide Wood Bits

- Carbide teeth rip through wood with ease
- 13" core length
- Same core barrel that is used on our diamond core bits
- Air slots in barrel help keep the bit cool
- 1-1/4-7 threaded hub



For use on wood materials only. **DO NOT USE ON CONCRETE** or other rock based materials. Warranty is void if used on materials other than wood.

Aggressive Carbide Teeth



Carbide Rebar and Plate Cutter Core Bits

SIZE	Rebar Cutter Cat #	Rebar Cutter List Price	# of Inserts	Plate Cutter Cat #	Plate Cutter List Price	# of Inserts
1/2"	07253	\$290	4	59195	\$317	4
5/8"	07256	300	4	49514	320	6
3/4"	07257	309	4	49515	321	6
7/8"	07259	317	6	52040	337	8
1"	07236	326	6	07260	358	8
1-1/8"	07237	343	6	07262	376	10
1-1/4"	07238	358	6	07263	423	10
1-3/8"	07239	402	8	61081	432	12
1-1/2"	07240	441	8	07265	530	12
1-5/8"	58064	460	8	62663	569	14
1-3/4"	07241	464	8	07266	703	14
1-7/8"	07242	485	10	55705	713	16
2"	07243	504	10	07267	718	16
2-1/2"	07248	519	12	07269	733	20
3"	07249	697	14	07270	818	26
3-1/2"	07250	748	16	62429	909	30
4"	07252	815	20	07273	951	34
5"	07254	1,154	25	43399	1,438	42
6"	07255	1,366	30	07275	1,966	50
8"	53358	1,485	40	07276	2,050	70
9"	66108	1,569	45	43401	2,152	76
10"	45009	2,224	50	43402	2,283	84

CARBIDE CORE BITS for WOOD

Diameter	Part #	Cat #	List Price
2"	CBW2000	50701	\$1,009
2-1/2"	CBW2500	65532	1,092
3"	CBW3000	50702	1,202
3-1/4"	CBW3250	45946	1,266
3-1/2"	CBW3500	55066	1,311
3-3/4"	CBW3750	45951	1,371
4"	CBW4000	50703	1,421
5"	CBW5000	50704	2,232
6"	CBW6000	50705	2,393
7"	CBW7000	13397	2,655
7-1/4"	CBW7250	12553	2,843
8"	CBW8000	45953	3,723
8-1/2"	CBW8500	40785	4,848
10"	CBW10000	93791	5,915
10-1/2"	CBW10500	40786	6,464
12-1/2"	CBW12500	40787	6,949



For use on mounted core rigs



SPECIALTY CORE BORE BITS



Cat # 01673

Retractable Carbide Bits

- Used in Offices and buildings where duct work is present
- Carbide bit drills through thin duct work and diamond bit drills through concrete



Cat # 01930

Cat # 01928



Cat # 00032



Cat # 05252



Cat # 01929

RETRACTABLE CARBIDE BIT		
Description	Cat #	List Price
2-1/4" x 2-1/2" Retractable carbide Diamond Bit (complete)	01673	\$1,392
Individual Optional Components		
Description	Cat #	List Price
2-1/4" Carbide Hole Saw with Threaded Cap	00032	\$432
2-1/2" x 8" HOL Threaded Bit*	05252	466
Threaded Bit Adapter	01929	237
2-1/2" Left/Right Threaded Cap	01928	129
2-3/4" Left/Right Threaded Cap	01930	129

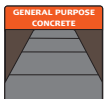
*Specify threads for retractable carbide bit when ordering.

Step Bits

- Designed to make a recessed 'step' for drain covers, and other special uses
- Custom sizes available.
- Available in all quality grades and in straight segment or turbo style
- Custom made to your individual application.

Other Sizes and Specifications

Available *Star Blue excluded



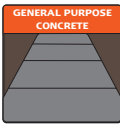
HEAVY DUTY ORANGE HOL-General Purpose, Longer Life				
Size/Description	Part #	Cat #	Specification	List Price
2" X 3" X 4" X 6" CORE	BH200030004000	01079	HOL	\$1,157
2" X 4"	BH20004000	23045	HOL	1,009
2" X 4" X 6"	BH200040006000	08724	HOL	1,832
2" X 4" X 6-1/2"	BH200040006500	27384	HOL	1,886
2-1/4" X 2-1/2" X 8-1/4" CORE	BH22502500	04961	HOL	596
2-9/32" X 2-9/16"	BH22812562	52075	HOL	701
3" X 3 1/2" CORE	BH30003500	78611	HOL	819
5" X 3" X 1"	BH531STP	50768	HOL	1,384
PREMIUM BLACK POL-General Purpose, Longest Life				
Size/Description	Part #	Cat #	Specification	List Price
1" X 3" X 5" X 24" DRILL DEPTH	BP100030005000	26784	POL	\$2,033
1 3/4" X 2"	BP17502000	25738	POL	699
2" X 3 1/2"	BP20003500	76194	POL	1,032
2" X 5"	BP20005000	97639	POL	1,386
2-1/4" X 2-1/2"	BP22502500	05572	POL	758
6.850" X 6-1/8"	BP68506125	29113	POL	3,003
1 1/4" X 3/4"	BP7501250	18535	POL	411



'Pancake' Bits

- For use in applications where a hole is needed with a recessed top
- Great for airport runway light canisters
- Most custom sizes and bonds available
- Custom made to your individual application

Other sizes and specifications available-call for more information



HOL
POL



For use on mounted
core rigs

HEAVY DUTY ORANGE HOL-General Purpose, Longer Life

Size/Description	Part #	Cat #	Specification	List Price
2.880" X 4.620"	BH28804620	84474	HOL	\$1,375
3.000" X 4.500"	BH30004500	99174	HOL	1,365
3-1/2" X 3"	BH35003000	13780	HOL	840
3.541" X 1.500" PILOT	BH35411500	51323	HOL	893
3.840" X 1/2" CARBIDE PILOT	BH384012	61773	HOL	1,017
3.840" X 1.500" PILOT	BH38401500	53314	HOL	1,002
4" X 2" WITH 2" CENTER PILOT 3" LONG	BH40002000P	01093	HOL	1,048
4.120" X 4.750"	BH41204750	84475	HOL	2,251
4.515" X 2.980" X 3/8" CARBIDE PILOT	BH451538	66964	HOL	2,494
4.700" X 4.090" X 3/8" CARBIDE PILOT	BH470038	66967	HOL	2,867
5" X 3"	BH50003000P	16889	HOL	1,340
5 1/2" WITH 1 1/4"-7 HUB	BH5500P	04467	HOL	1,293
6 1/2" X 4 3/4" HEAVY DUTY	BH65004750	20352	HOL	2,031
7" X 6-1/2"	BH70006500P	71695	HOL	2,324

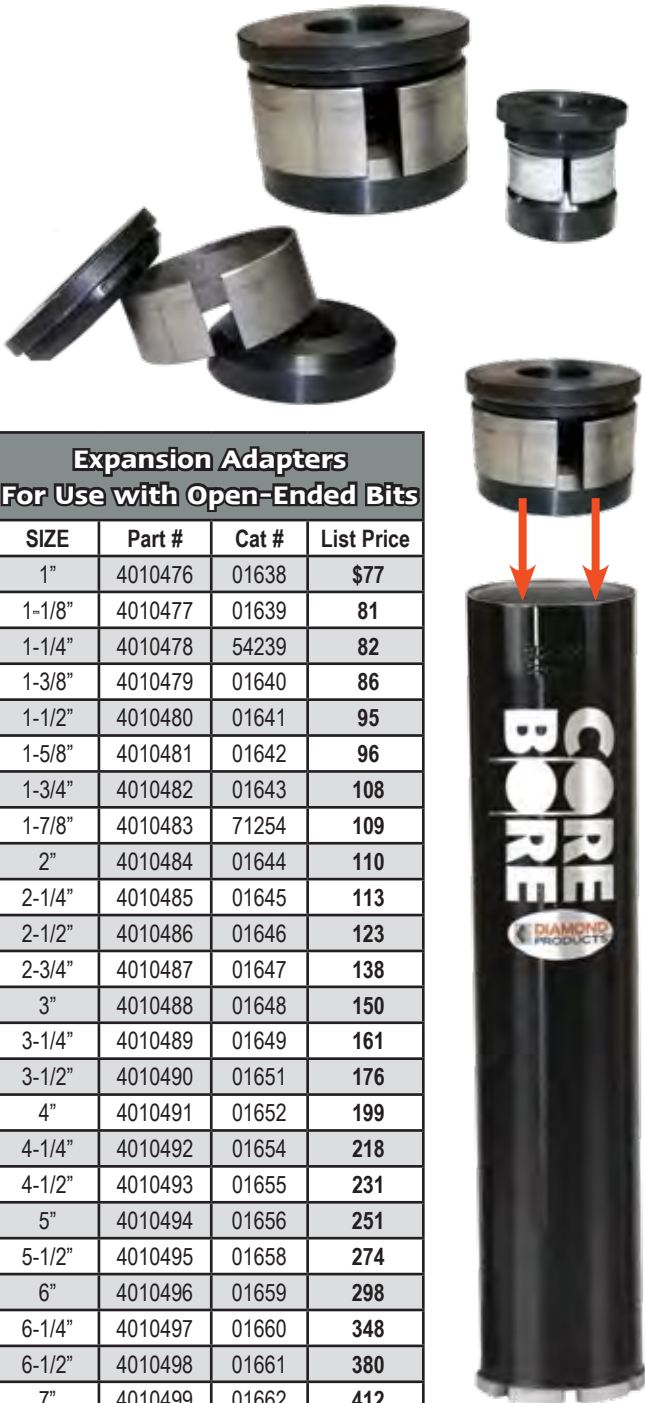
PREMIUM BLACK POL-General Purpose, Longest Life

Size/Description	Part #	Cat #	Specification	List Price
1-3/4" X 1-1/8"	BP17501125	04358	POL	\$702
2-1/2" PANCAKE X 2" PILOT	BP25002000	23843	POL	909
2 1/2" PANCAKE X 7/8" PILOT	BP250078	96775	POL	543
1-3/4" X 2-7/8"	BP28751750	04356	POL	920
3-1/8" X 7/8" PILOT	BP312578	88235	POL	676
4-1/2" X 2-3/4" WITH PILOT	BP45002750P	25612	POL	1,298
5" X 3-1/2"	BP50003500	99106	POL	1,623

EXPANSION ADAPTERS & INFO

Expansion Adapters

- Expansion adapters are used on open-end core bits instead of welded hubs
- Made up of two threaded plates with expansion ring
- The three pieces are placed in the core barrel and tightened on the drill rig spindle
- The expansion ring expands, and tightens against the core barrel-keeping the bit secure



**Expansion Adapters
For Use with Open-Ended Bits**

SIZE	Part #	Cat #	List Price
1"	4010476	01638	\$77
1-1/8"	4010477	01639	81
1-1/4"	4010478	54239	82
1-3/8"	4010479	01640	86
1-1/2"	4010480	01641	95
1-5/8"	4010481	01642	96
1-3/4"	4010482	01643	108
1-7/8"	4010483	71254	109
2"	4010484	01644	110
2-1/4"	4010485	01645	113
2-1/2"	4010486	01646	123
2-3/4"	4010487	01647	138
3"	4010488	01648	150
3-1/4"	4010489	01649	161
3-1/2"	4010490	01651	176
4"	4010491	01652	199
4-1/4"	4010492	01654	218
4-1/2"	4010493	01655	231
5"	4010494	01656	251
5-1/2"	4010495	01658	274
6"	4010496	01659	298
6-1/4"	4010497	01660	348
6-1/2"	4010498	01661	380
7"	4010499	01662	412
8"	4010500	01663	452
9"	4010501	01664	460
10"	4010502	01665	583

The expansion ring expands, and tightens against the core barrel, keeping the bit secure.

Add to List Price for Extra Core Length (Any Wet Core Bit)

SIZE	Per Extra Inch of Core Length
1/2"	\$1
5/8"	1
3/4"	1
7/8"	1
1"	2
1-1/8"	2
1-1/4"	2
1-3/8"	2
1-1/2"	2
1-5/8"	2
1-3/4"	2
1-7/8"	2
2'	4
2-1/4"	4
2-3/8"	4
2-1/2"	4
2-3/4"	4
3"	5
3-1/4"	5
3-1/2"	5
4"	6
4-1/4"	6
4-1/2"	6
5"	8
5-1/2"	8
6"	9



Order your core bit with extra core length for a deeper hole. Price shown is per inch beyond standard core length..

CORE BIT SEGMENTS ONLY

.145" THROUGH .187" THICKNESS

**Heavy Duty Orange
Specification: HOL**

**Premium Black
Specification: POL**

**Supreme Silver
Specification: UOL**

.145" Thickness			
Bit Size	Part #	Cat #	List Price
2"	BSGH14502	25040	\$24.96
2-1/2"	BSGH14525	25041	24.96
3"	BSGH14503	25044	24.96
4"	BSGH14504	25062	24.96
5"	BSGH14505	25076	24.96
6"	BSGH14506	23257	24.96
.165" Thickness			
2"	BSGH16502	25321	\$29.29
2-1/2"	BSGH16525	30209	29.29
3"	BSGH16503	25323	29.29
4"	BSGH16504	22796	29.29
5"	BSGH16505	25332	29.29
6"	BSGH16506	25334	29.29
8"	BSGH16508	25335	29.29
9" +	BSGH16512	25336	29.29
.187" Thickness			
2"	BSGH18702	25341	\$32.58
2-1/2"	BSGH18725	25367	32.58
3"	BSGH18703	25369	32.58
4"	BSGH18704	25378	32.58
5"	BSGH18705	25386	32.58
6"	BSGH18706	25390	32.58
8"	BSGH18708	23582	32.58
9" +	BSGH18712	20612	32.58

.145" Thickness			
Bit Size	Part #	Cat #	List Price
2"	BSGP14502	25562	\$32.30
2-1/2"	BSGP14525	25579	32.30
3"	BSGP14503	22013	32.30
4"	BSGP14504	25581	32.30
5"	BSGP14505	22030	32.30
6"	BSGP14506	26141	32.30
.165" Thickness			
2"	BSGP16502	25595	\$37.82
2-1/2"	BSGP16525	25597	37.82
3"	BSGP16503	23003	37.82
4"	BSGP16504	23812	37.82
5"	BSGP16505	25599	37.82
6"	BSGP16506	25605	37.82
8"	BSGP16508	15289	37.82
9" +	BSGP16512	25614	37.82
.187" Thickness			
2"	BSGP18702	25637	\$42.08
2-1/2"	BSGP18725	30306	42.08
3"	BSGP18703	25730	42.08
4"	BSGP18704	25974	42.08
5"	BSGP18705	25979	42.08
6"	BSGP18706	17281	42.08
8"	BSGP18708	23804	42.08
9" +	BSGP18712	15318	42.08

.145" Thickness			
Bit Size	Part #	Cat #	List Price
2"	BSGU14502	27796	\$37.94
2-1/2"	BSGU14525	27834	37.94
3"	BSGU14503	27851	37.94
4"	BSGU14504	27852	37.94
5"	BSGU14505	27855	37.94
6"	BSGU14506	27856	37.94
.165" Thickness			
2"	BSGU16502	27882	\$42.60
2-1/2"	BSGU16525	27894	42.60
3"	BSGU16503	27899	42.60
4"	BSGU16504	27902	42.60
5"	BSGU16505	27905	42.60
6"	BSGU16506	27911	42.60
8"	BSGU16508	27923	42.60
9" +	BSGU16512	30476	42.60
.187" Thickness			
2"	BSGU18702	27938	\$47.79
2-1/2"	BSGU18725	27942	47.79
3"	BSGU18703	27955	47.79
4"	BSGU18704	27958	47.79
5"	BSGU18705	27967	47.79
6"	BSGU18706	27978	47.79
8"	BSGU18708	27993	47.79
9" +	BSGU18712	28231	47.79

Bit Crowns-1/2" through 1-3/4"									
Diameter	HD Orange HOL Part #	HD Orange HOL Cat #	HD Orange List Price	Premium Black POL Part #	Premium Black POL Cat #	Premium Black List Price	Supreme Silver UOF Part #	Supreme Silver UOF Cat #	Supreme Silver List Price
1/2"	BSGCH500	28555	\$77.50	BSGCP500	28566	\$116.42	BSGCU500	06357	\$139.21
5/8"	BSGCH625	28556	79.09	BSGCP625	21790	118.81	BSGCU625	06359	145.21
3/4"	BSGCH750	28557	82.80	BSGCP750	20261	122.40	BSGCU750	06361	150.01
7/8"	BSGCH875	28558	97.21	BSGCP875	18340	136.81	BSGCU875	06362	169.21
1"	BSGCH1000	28559	127.19	BSGCP1000	06309	150.01	BSGCU1000	06346	178.81
1-1/8"	BSGCH1125	28560	141.61	BSGCP1125	06312	164.41	BSGCU1125	06348	195.61
1-1/4"	BSGCH1250	28561	145.21	BSGCP1250	06315	171.63	BSGCU1250	06349	204.01
1-3/8"	BSGCH1375	28562	153.62	BSGCP1375	06319	182.41	BSGCU1375	06350	222.01
1-1/2"	BSGCH1500	28563	162.02	BSGCP1500	06325	192.00	BSGCU1500	06351	234.01
1-5/8"	BSGCH1625	28564	170.41	BSGCP1625	18889	200.41	BSGCU1625	06352	244.82
1-3/4"	BSGCH1750	51159	183.62	BSGCP1750	06332	214.81	BSGCU1750	06355	273.62



Bit Crowns are continuous and have water ways to allow water and slurry to escape.

CORE BIT SEGMENTS ONLY

.145" THROUGH .187" THICKNESS

Heavy Duty Orange Turbo Specification: THOWL

Premium Black Turbo Specification: TPOWL

Super Premium Red Plus Turbo Specification: TSPSAG3+

Pro Blue Specification: TOL

.145" Thickness				.145" Thickness				.145" Thickness				.145" Thickness			
Bit Size	Part #	Cat #	List Price	Bit Size	Part #	Cat #	List Price	Bit Size	Part #	Cat #	List Price	Bit Size	Part #	Cat #	List Price
2"	BSGTH14502	62824	\$32.15	2"	BSGTP14502	51262	\$33.37	2"	BSGTSP+14502	17126	\$34.66	2"	BSGT14502	26864	\$35.88
2-1/2"	BSGTH14525	62825	32.15	2-1/2"	BSGTP14525	62933	33.37	2-1/2"	BSGTSP+14525	28433	34.66	2-1/2"	BSGT14525	26894	35.88
3"	BSGTH14503	62829	32.15	3"	BSGTP14503	46585	33.37	3"	BSGTSP+14503	19853	34.66	3"	BSGT14503	26906	35.88
4"	BSGTH14504	62830	32.15	4"	BSGTP14504	62945	33.37	4"	BSGTSP+14504	15872	34.66	4"	BSGT14504	26909	35.88
5"	BSGTH14505	62836	32.15	5"	BSGTP14505	62951	33.37	5"	BSGTSP+14505	28449	34.66	5"	BSGT14505	26913	35.88
6"	BSGTH14506	62844	32.15	6"	BSGTP14506	51153	33.37	6"	BSGTSP+14506	28451	34.66	6"	BSGT14506	26923	35.88
.165" Thickness				.165" Thickness				.165" Thickness				.165" Thickness			
2"	BSGTH16502	62845	\$33.06	2"	BSGTP16502	62953	\$34.69	2"	BSGTSP+16502	28453	\$35.40	2"	BSGT16502	26925	\$37.10
2-1/2"	BSGTH16525	62849	33.06	2-1/2"	BSGTP16525	62954	34.69	2-1/2"	BSGTSP+16525	19389	35.40	2-1/2"	BSGT16525	26948	37.10
3"	BSGTH16503	62850	33.06	3"	BSGTP16503	62955	34.69	3"	BSGTSP+16503	18872	35.40	3"	BSGT16503	26954	37.10
4"	BSGTH16504	62857	33.06	4"	BSGTP16504	62956	34.69	4"	BSGTSP+16504	15965	35.40	4"	BSGT16504	26955	37.10
5"	BSGTH16505	62858	33.06	5"	BSGTP16505	62960	34.69	5"	BSGTSP+16505	18910	35.40	5"	BSGT16505	26960	37.10
6"	BSGTH16506	62862	33.06	6"	BSGTP16506	62961	34.69	6"	BSGTSP+16506	14797	35.40	6"	BSGT16506	26967	37.10
8"	BSGTH16508	64692	33.06	8"	BSGTP16508	51387	34.69	8"	BSGTSP+16508	14836	35.40	8"	BSGT16508	27246	37.10
9" +	BSGTH16512	62870	33.06	9" +	BSGTP16512	62963	34.69	9" +	BSGTSP+16512	28475	35.40	9" +	BSGT16512	30460	37.10
.187" Thickness				.187" Thickness				.187" Thickness				.187" Thickness			
2"	BSGTH18702	62871	\$33.65	2"	BSGTP18702	62966	\$35.24	2"	BSGTSP+18702	28487	\$38.67	2"	BSGT18702	26969	\$41.53
2-1/2"	BSGTH18725	62928	33.65	2-1/2"	BSGTP18725	62970	35.24	2-1/2"	BSGTSP+18725	28492	38.67	2-1/2"	BSGT18725	26971	41.53
3"	BSGTH18703	63297	33.65	3"	BSGTP18703	62973	35.24	3"	BSGTSP+18703	28507	38.67	3"	BSGT18703	26978	41.53
4"	BSGTH18704	62874	33.65	4"	BSGTP18704	62974	35.24	4"	BSGTSP+18704	09681	38.67	4"	BSGT18704	26979	41.53
5"	BSGTH18705	62876	33.65	5"	BSGTP18705	62975	35.24	5"	BSGTSP+18705	18636	38.67	5"	BSGT18705	27014	41.53
6"	BSGTH18706	62929	33.65	6"	BSGTP18706	62976	35.24	6"	BSGTSP+18706	28737	38.67	6"	BSGT18706	27017	41.53
8"	BSGTH18708	62877	33.65	8"	BSGTP18708	62977	35.24	8"	BSGTSP+18708	08511	38.67	8"	BSGT18708	27018	41.53
9" +	BSGTH18712	26490	33.65	9" +	BSGTP18712	62978	35.24	9" +	BSGTSP+18712	14844	38.67	9" +	BSGT18712	27020	41.53

See page 174 for number of segments used on core bits.



Loose segments include silver braze.
Extra braze available

Part #	Cat #	List Price
2200002	00166	\$ 1

Standard Segment Sizes	
Bit Diameter	Segment Widths
1-7/8" thru 6"	.145"
7" and 8"	.165"
9" thru 16"	.187"
18" thru 24"	.220"
Above 24"	.250"

CORE BIT SEGMENTS ONLY

.200" THROUGH .250" THICKNESS

Heavy Duty Orange
Specification: HOL

Premium Black
Specification: POL

Supreme Silver
Specification: UOL

.200" Thickness			
Bit Size	Part #	Cat #	List Price
2"	BSGH20002	25395	\$34.53
2-1/2"	BSGH20025	25398	34.53
3"	BSGH20003	25399	34.53
4"	BSGH20004	25401	34.53
5"	BSGH20005	25402	34.53
6"	BSGH20006	25403	34.53
8"	BSGH20008	25425	34.53
9" +	BSGH20012	25430	34.53
.220" Thickness			
2"	BSGH22002	25433	\$37.54
2-1/2"	BSGH22025	25434	37.54
3"	BSGH22003	25449	37.54
4"	BSGH22004	25472	37.54
5"	BSGH22005	25455	37.54
6"	BSGH22006	25475	37.54
8"	BSGH22008	25486	37.54
9" +	BSGH22012	23596	37.54
.250" Thickness			
2"	BSGH25002	30257	\$41.97
2-1/2"	BSGH25025	30268	41.97
3"	BSGH25003	30271	41.97
4"	BSGH25004	30287	41.97
5"	BSGH25005	30299	41.97
6"	BSGH25006	25499	41.97
8"	BSGH25008	25502	41.97
9" +	BSGH25012	23106	41.97

.200" Thickness			
Bit Size	Part #	Cat #	List Price
2"	BSGP20002	25985	\$44.67
2-1/2"	BSGP20025	25994	44.67
3"	BSGP20003	26010	44.67
4"	BSGP20004	26011	44.67
5"	BSGP20005	26012	44.67
6"	BSGP20006	26013	44.67
8"	BSGP20008	26014	44.67
9" +	BSGP20012	26015	44.67
.220" Thickness			
2"	BSGP22002	26016	\$48.57
2-1/2"	BSGP22025	26021	48.57
3"	BSGP22003	26022	48.57
4"	BSGP22004	26024	48.57
5"	BSGP22005	26025	48.57
6"	BSGP22006	26028	48.57
8"	BSGP22008	26045	48.57
9" +	BSGP22012	21049	48.57
.250" Thickness			
2"	BSGP25002	26054	\$54.36
2-1/2"	BSGP25025	26075	54.36
3"	BSGP25003	26081	54.36
4"	BSGP25004	26082	54.36
5"	BSGP25005	26086	54.36
6"	BSGP25006	26095	54.36
8"	BSGP25008	26104	54.36
9" +	BSGP25012	21401	54.36

.200" Thickness			
Bit Size	Part #	Cat #	List Price
2"	BSGU20002	27995	\$52.45
2-1/2"	BSGU20025	28001	52.45
3"	BSGU20003	28008	52.45
4"	BSGU20004	28012	52.45
5"	BSGU20005	28018	52.45
6"	BSGU20006	28031	52.45
8"	BSGU20008	28084	52.45
9" +	BSGU20012	28090	52.45
.220" Thickness			
2"	BSGU22002	28283	\$57.13
2-1/2"	BSGU22025	28293	57.13
3"	BSGU22003	28092	57.13
4"	BSGU22004	28118	57.13
5"	BSGU22005	28134	57.13
6"	BSGU22006	28144	57.13
8"	BSGU22008	28150	57.13
9" +	BSGU22012	28165	57.13
.250" Thickness			
2"	BSGU25002	28167	\$63.63
2-1/2"	BSGU25025	28180	63.63
3"	BSGU25003	28191	63.63
4"	BSGU25004	28197	63.63
5"	BSGU25005	28202	63.63
6"	BSGU25006	28205	63.63
8"	BSGU25008	28212	63.63
9" +	BSGU25012	28213	63.63

See page 90 for number of segments used on core bits.



Loose segments include silver braze.
Extra braze available

Part #	Cat #	List Price
2200002	00166	\$ 1

Standard Segment Sizes	
Bit Diameter	Segment Widths
1-7/8" thru 6"	.145"
7" and 8"	.165"
9" thru 16"	.187"
18" thru 24"	.220"
Above 24"	.250"

CORE BIT SEGMENTS ONLY

.200" THROUGH .250" THICKNESS

Heavy Duty Orange Turbo
Specification: HOL

Premium Black Turbo
Specification: POL

Super Premium Red Plus Turbo
Specification: TSPSAG3+

Pro Blue
Specification: TOL

.200" Thickness			
Bit Size	Part #	Cat #	List Price
2"	BSGTH20002	63201	\$34.61
2-1/2"	BSGTH20025	63202	34.61
3"	BSGTH20003	63203	34.61
4"	BSGTH20004	63205	34.61
5"	BSGTH20005	63207	34.61
6"	BSGTH20006	63208	34.61
8"	BSGTH20008	63210	34.61
9"+	BSGTH20012	62979	34.61
.220" Thickness			
Bit Size	Part #	Cat #	List Price
2"	BSGTH22002	63211	\$39.73
2-1/2"	BSGTH22025	63215	39.73
3"	BSGTH22003	63219	39.73
4"	BSGTH22004	63221	39.73
5"	BSGTH22005	63222	39.73
6"	BSGTH22006	63229	39.73
8"	BSGTH22008	63230	39.73
9"+	BSGTH22012	62981	39.73
.250" Thickness			
Bit Size	Part #	Cat #	List Price
2"	BSGTH25002	63232	\$42.02
2-1/2"	BSGTH25025	63233	42.02
3"	BSGTH25003	63234	42.02
4"	BSGTH25004	63239	42.02
5"	BSGTH25005	63243	42.02
6"	BSGTH25006	63244	42.02
8"	BSGTH25008	63245	42.02
9"+	BSGTH25012	52493	42.02

.200" Thickness			
Bit Size	Part #	Cat #	List Price
2"	BSGTP20002	63252	\$39.88
2-1/2"	BSGTP20025	63254	39.88
3"	BSGTP20003	63255	39.88
4"	BSGTP20004	63259	39.88
5"	BSGTP20005	63260	39.88
6"	BSGTP20006	63261	39.88
8"	BSGTP20008	63264	39.88
9"+	BSGTP20012	62982	39.88
.220" Thickness			
Bit Size	Part #	Cat #	List Price
2"	BSGTP22002	63268	\$42.74
2-1/2"	BSGTP22025	63269	42.74
3"	BSGTP22003	63271	42.74
4"	BSGTP22004	63274	42.74
5"	BSGTP22005	63275	42.74
6"	BSGTP22006	63277	42.74
8"	BSGTP22008	63279	42.74
9"+	BSGTP22012	62983	42.74
.250" Thickness			
Bit Size	Part #	Cat #	List Price
2"	BSGTP25002	63280	\$45.74
2-1/2"	BSGTP25025	63282	45.74
3"	BSGTP25003	63283	45.74
4"	BSGTP25004	63286	45.74
5"	BSGTP25005	63287	45.74
6"	BSGTP25006	63288	45.74
8"	BSGTP25008	63290	45.74
9"+	BSGTP25012	42873	45.74

.200" Thickness			
Bit Size	Part #	Cat #	List Price
2"	BSGTSP+20002	28509	\$42.60
2-1/2"	BSGTSP+20025	28539	42.60
3"	BSGTSP+20003	28589	42.60
4"	BSGTSP+20004	28592	42.60
5"	BSGTSP+20005	23837	42.60
6"	BSGTSP+20006	28615	42.60
8"	BSGTSP+20008	08543	42.60
9"+	BSGTSP+20012	13568	42.60
.220" Thickness			
Bit Size	Part #	Cat #	List Price
2"	BSGTSP+22002	28629	\$46.29
2-1/2"	BSGTSP+22025	28630	46.29
3"	BSGTSP+22003	28651	46.29
4"	BSGTSP+22004	28656	46.29
5"	BSGTSP+22005	28665	46.29
6"	BSGTSP+22006	28676	46.29
8"	BSGTSP+22008	21810	46.29
9"+	BSGTSP+22012	08572	46.29
.250" Thickness			
Bit Size	Part #	Cat #	List Price
2"	BSGTSP+25002	28689	\$51.92
2-1/2"	BSGTSP+25025	28704	51.92
3"	BSGTSP+25003	28707	51.92
4"	BSGTSP+25004	28718	51.92
5"	BSGTSP+25005	28720	51.92
6"	BSGTSP+25006	17594	51.92
8"	BSGTSP+25008	28729	51.92
9"+	BSGTSP+25012	08589	51.92

.200" Thickness			
Bit Size	Part #	Cat #	List Price
2"	BSGT20002	27041	\$45.78
2-1/2"	BSGT20025	27055	45.78
3"	BSGT20003	27066	45.78
4"	BSGT20004	27075	45.78
5"	BSGT20005	27080	45.78
6"	BSGT20006	27099	45.78
8"	BSGT20008	27100	45.78
9"+	BSGT20012	27113	45.78
.220" Thickness			
Bit Size	Part #	Cat #	List Price
2"	BSGT22002	27134	\$49.80
2-1/2"	BSGT22025	27146	49.80
3"	BSGT22003	27151	49.80
4"	BSGT22004	27154	49.80
5"	BSGT22005	27163	49.80
6"	BSGT22006	27165	49.80
8"	BSGT22008	27166	49.80
9"+	BSGT22012	27167	49.80
.250" Thickness			
Bit Size	Part #	Cat #	List Price
2"	BSGT25002	27168	\$55.86
2-1/2"	BSGT25025	27169	55.86
3"	BSGT25003	27170	55.86
4"	BSGT25004	27172	55.86
5"	BSGT25005	27184	55.86
6"	BSGT25006	27224	55.86
8"	BSGT25008	27236	55.86
9"+	BSGT25012	27244	55.86

See page 90 for number of segments used on core bits.



Loose segments include silver braze.
Extra braze available

Part #	Cat #	List Price
2200002	00166	\$ 1

Standard Segment Sizes	
Bit Diameter	Segment Widths
1-7/8" thru 6"	.145"
7" and 8"	.165"
9" thru 16"	.187"
18" thru 24"	.220"
Above 24"	.250"

CORE BIT INFORMATION

Number of Segments on Wet Core Bits							
Segment Bit Size	Core Bit Diameter	Standard Gold	Heavy Duty Orange	Premium Black	Pro Blue	Super Premium Red	Turbo
1" bit	1		4	4	4		
	1 1/8		4	4			
1-1/4" bit	1 1/4		5	5	5		
	1 3/8		5	5			
1-1/2" bit	1 1/2		4	4	4		
	1 5/8		5	5			
	1 3/4		5	5	5		
2" bit	1 7/8		4	4			
	2	5	5	5	4	4	5
2-1/2" bit	2 1/8	5	5	5	4	4	5
	2 1/4	5	5	5	5	5	5
	2 1/2	6	6	6	5	5	6
3" bit	2 3/4	6	6	6	6	6	6
	3	7	7	7	6	6	7
	3 1/4	8	8	8	8	6	8
	3 1/2	8	8	8	7	7	8
4" bit	3 3/4	8	8	8	7	7	8
	4	10	10	10	8	8	10
	4 1/4	10	10	10	8	8	10
5" bit	4 1/2	11	11	11	9	9	11
	4 3/4	11	11	11	9	9	11
	5	12	12	12	10	10	12
6" bit	5 1/2	13	13	13	11	11	13
	6	14	14	14	12	12	14
	6 1/4	14	14	14	12	12	14
	6 1/2	15	15	15	13	13	15
8" bit	7	14	16	16	14	15	16
	8	16	16	16	16	16	18
12" bit	9	18	18	18	18	18	
	10	20	20	20	20		20
	12	24	24	24	24		24
	14	28	28	28	28		
	16	30	30	30	30		
	18		30	30	30		
	20		32	32			
	24		38	38			
	26		40	40			
	28		44	44			
	30		47	47			
	32		49	49			
	34		52	52			
	36		56	56			
	38		60	60			
	40		62	62			
42		65	65				
44		68	68				
46		71	71				
48		74	74				

Large Diameter Core Bit Measurements		
Bit Outside Diameter	Tube Overall Length	Core Depth
8-1/2"	14"	13"
9"	14"	13"
10"	14"	13"
11"	14"	13"
12"	14"	13"
13"	14"	13"
14"	14"	13"
15"	19"	17"-18"
16"	20"	18"-19"
18"	22"	20"-21"
20"	25"	23"-24"
21"	25"	23"-24"
22"	25"	23"-24"
23"	25"	23"-24"
24"	25"	23"-24"
25"	25"	23"-24"
26"	25"	23"-24"
27"	25"	23"-24"
28"	25"	23"-24"
29"	25"	23"-24"
30" and up	37"	34"-35"

Large Diameter Number of Segments	
SIZE	Number of Segments
12"	24
14"	28
16"	30
18"	30
20"	32
22"	34
24"	38
26"	40
28"	44
30"	47
32"	49
34"	52
36"	56
38"	60
40"	62
42"	65
44"	68
46"	71
48"	74
54"	84
56"	89
60"	94

CORE BIT RE-SEGMENTING



We Will Re-Tip Your Worn Bit at a 20% Savings to You

Re-segmented Core Bits

Save money by recycling your used core bits. The bigger the bit, the more you save.

Send us your used core bits, ours or a competitors, and we will cut off the end and put new segments on it for a bit as good as new.

Core bits can be re-segmented with most quality grades and bonds provided the tube is suitable.

Costs to Re-segment Your Used Core Bits

Size	Standard Gold	Heavy Duty Orange	Premium Black	Supreme Silver	Super Premium Red	Pro Blue	Heavy Duty Orange Turbo	Premium Black Turbo	Super Premium + Red Turbo
1/2"	---	\$131	\$133	\$163	\$145	\$150	---	---	---
5/8"	---	135	137	167	149	154	---	---	---
3/4"	---	145	154	186	165	173	---	---	---
7/8"	---	151	161	192	171	181	---	---	---
1"	---	157	164	197	175	186	---	---	---
1-1/8"	---	161	167	198	181	190	---	---	---
1-1/4"	---	165	187	221	200	214	---	---	\$200
1-3/8"	---	172	190	226	202	217	---	\$172	202
1-1/2"	---	176	193	240	206	221	\$150	175	195
1-5/8"	---	180	226	281	236	245	179	190	---
1-3/4"	---	188	231	285	251	258	186	202	232
1-7/8"	---	208	238	292	262	278	191	218	---
2"	\$198	215	246	313	266	282	204	234	266
2-1/4"	210	230	263	330	276	294	214	246	276
2-1/2"	233	258	274	374	293	319	242	262	293
2-3/4"	253	275	314	394	334	351	269	286	334
3"	254	304	352	439	378	398	279	314	378
3-1/4"	312	349	382	495	392	413	315	344	392
3-1/2"	319	351	391	507	408	443	336	391	408
4"	338	406	483	578	516	540	372	406	465
4-1/4"	372	438	516	618	538	600	471	499	528
4-1/2"	419	500	562	655	600	634	485	542	600
4-3/4"	433	516	590	689	625	659	492	559	634
5"	451	532	614	746	664	722	495	580	664
5-1/4"	514	568	662	761	689	734	554	622	689
5-1/2"	530	615	711	798	734	759	612	666	721
6"	546	642	739	870	790	810	652	722	790
6-1/4"	618	716	796	919	847	878	694	781	847
6-1/2"	744	888	945	1,070	989	1,031	703	808	914
7"	802	900	998	1,161	1,057	1,119	742	900	1,057
8"	858	934	1,029	1,340	1,148	1,278	849	906	1,148
9"	1,044	1,128	1,253	1,600	1,367	1,494	922	1,039	1,367
10"	1,125	1,147	1,297	1,742	1,482	1,617	1,011	1,160	1,482
12"	1,261	1,314	1,450	---	1,670	1,792	1,192	1,276	1,792
14"	1,612	1,622	1,790	---	1,994	2,130	1,618	1,854	2,089
16"	1,823	1,854	1,982	---	2,134	2,298	1,936	2,160	2,528
18"	1,970	2,110	2,321	---	2,673	2,762	2,141	2,173	2,784
20"	---	2,301	2,555	---	3,107	3,343	2,474	2,436	3,107
22"	---	2,860	3,110	---	3,514	3,730	---	3,137	3,223
24"	---	3,409	3,634	---	3,935	4,036	---	3,970	3,970

Re-segmenting not available for Star Blue Core Bits or Dry Bits

*Call Customer Service Experts for Additional Services at 800-321-5336

M1AA PORTABLE CORE RIG

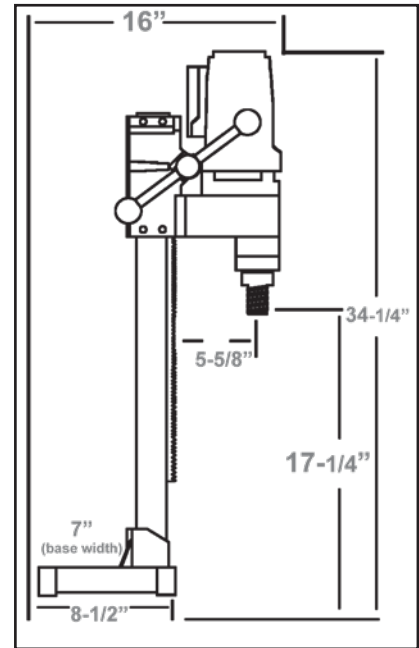
Convenience and Durability in a Light Weight Core Rig



Bit not included



Built-in LED Light Amp Meter



Location to drill anchor hole = 9-1/2" measured from the center of the motor spindle to the center of the anchor/vacuum slot on base

6" Bit Capacity

Features & Benefits:

- Weighs only 35 lbs.
- Single speed-800 RPM
- Spring loaded slide handle for easy coring
- Convenient carrying handle on carriage
- Light weight and portable
- Uses standard power outlets
- Small compact unit for precise coring
- No separate amp meter box
- Includes trap ring that keeps water contained
- Lower cost alternative to larger rigs

M1AA PORTABLE DRILL RIG

Model #	Rig Type	Power	Motor RPM	Part #	Cat #	Product Weight (lbs.)	List Price
M1AA-15	Anchor rig	15amp	800	4220050	85986	35	\$1,416
M1AA-12	Anchor rig	12 amp, 220V	800	4220049	24024	35	1,524
M1AA-15	Complete rig with add-on vacuum base and vacuum pump	15 amp	800	4220058	87078	80	2,381
M1AA-12	Complete rig with add-on vacuum base and vacuum pump	12 amp, 220V	800	4220048	42687	80	2,607

M1AA RIG OPTIONS

Description	Part #	Cat #	List Price
Water Trap Ring	2704100	95186	\$132
36mm wrench	2704103	96047	42
48mm wrench	2704104	95631	42
All purpose vacuum base add-on only	4247075	01818	461
Vacuum pump only	4244078	01771	418

POWER & PRODUCTIVITY



**CORE
BORE**

CB733



3-Speed

The CB733 Three-Speed and the CB744 Four-Speed Motors Offer Versatility and the Performance You Need to Get the Job Done

Up to 16" Bit Capacity
115V, 20 Amp

CB744



4-Speed

Up to 18" Bit Capacity
115V, 25 Amp

M-1 COMPLETE CORE RIG

Great for the General Contractor
#1 Selling Rig in the U.S.A.



M-1 Angle Combination Stand Only		
Part #	Cat #	List Price
4245062 for Milwaukee	01799	\$1,156



M-1 Standard Combination Stand Only		
Part #	Cat #	List Price
4245065	01801	\$954
4245092 for Weka, CB733 & CB744	07810	935

Motor mount plate for Milwaukee motors		
Part #	Cat #	List Price
4648029	02159	\$139

Special Combo Stand for Milwaukee motors		
Part #	Cat #	List Price
4241214	37567	\$1,858



M-1 Angle Anchor Stand Only		
Part #	Cat #	List Price
4246070	01809	\$1,017



M-1 Standard Anchor Stand Only		
Part #	Cat #	List Price
4246055	01806	\$829
4243055 for Weka, CB733 & CB744	77909	813



M-1 Complete Combination Rig with CB744 motor (control panel not needed)



M-1 Complete Anchor Rig with CB733 motor



MADE IN THE U.S.A.

10" Standard Bit Capacity, 14" w/Spacers
14" Standard Bit Capacity (CB733, CB744)

Features & Benefits:

- 2-1/2" square column (mast) with black oxidized finish
- 6" wheels for easy mobility
- Dual switch/outlet control panel with amp meter (except for CB733 and CB744 models with LED amp meter)
- Vacuum pump for quick mounting to flat surface without drilling an anchor hole (included with combination rig)
- 4 leveling screws on the base
- Slide handle allows for drilling in tight areas
- Combination base changes from vacuum to anchor base
- Ceiling jack helps keep the rig in place as a backup for anchoring or vacuuming the base down (used with a brace piece-2 x 4 or other material)

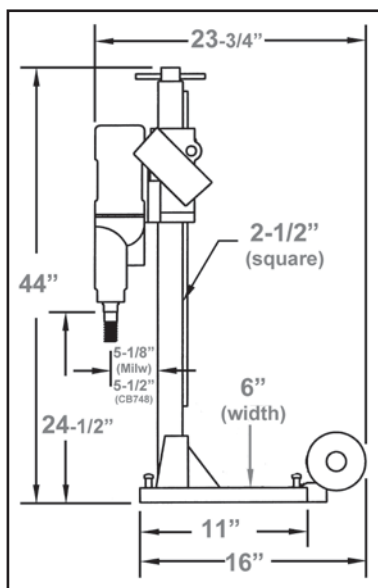
M-1

COMPLETE M-1 COMBINATION DRILL RIGS WITH VACUUM PUMP & CONTROL PANEL								INCLUDES:
Model #	Motor	Power	Motor RPM	Combo Rig Part #	Cat #	Product Weight (lbs.)	List Price	
M1C-20-CB733-V	Core Bore CB733	20 amp	550/1000/1600	4245112	85327	136	\$3,237	Combo Stand, Motor, Vacuum Pump, Control Panel
M1C-20-MW4004-V	Milwaukee	20 amp	300/600	4245048	01784	127	3,302	
M1C-20-MW4096-V	Milwaukee	20 amp	450/900	4245059	01794	127	3,302	
M1C-20-MW4005-V	Milwaukee	20 amp	600/1200	4245049	01785	127	3,302	
M1C-15-MW4097-V	Milwaukee	15 amp	500/1000	4245051	01787	127	3,255	
M1C-23-DK22-V	Weka DK22	23 amp	550/1120/1680	4245053	47173	127	4,643	
M1C-23-DK22S-V	Weka DK22S	23 amp	800/1640/2430	4245046	50138	127	4,643	
COMPLETE M-1 COMBINATION DRILL RIGS WITHOUT CONTROL PANEL (Control panel not needed - Includes LED meter and on/off switch on motor)								
M1C-20-CB733WO	Core Bore CB733	20 amp	550/1000/1600	4245115	39317	108	\$2,881	Combo Stand, Motor, Vacuum Pump
M1C-25-CB744WO	Core Bore CB744*	25 amp	385/530/975/1340	4245104	81050	110	3,768	
COMPLETE M-1 COMBINATION DRILL RIGS WITHOUT VACUUM PUMP								
M1C-20-MW4004	Milwaukee	20 amp	300/600	4245072	75375	108	\$2,914	Combo Stand, Motor, Control Panel
M1C-20-MW4096	Milwaukee	20 amp	450/900	4245073	67092	108	2,914	
M1C-20-MW4005	Milwaukee	20 amp	600/1200	4245074	74708	108	2,914	
M1C-15-MW4097	Milwaukee	15 amp	500/1000	4245075	70125	108	2,835	
M1C-23-DK22	Weka DK22	23 amp	550/1120/1680	4245077	71962	117	4,261	
M1C-23-DK22S	Weka DK22S	23 amp	800/1640/2430	4245078	72583	117	4,261	
COMPLETE M-1 ANCHOR DRILL RIGS								
M1A-20-MW4004	Milwaukee	20 amp	300/600	4245009	47162	91	\$2,767	Anchor Stand, Motor, Control Panel
M1A-20-MW4096	Milwaukee	20 amp	450/900	4245003	01776	91	2,767	
M1A-20-MW4005	Milwaukee	20 amp	600/1200	4245010	01782	91	2,767	
M1A-15-MW4097	Milwaukee	15 amp	500/1000	4245006	01780	91	2,686	
M1A-23-DK22	Weka DK22	23 amp	550/1120/1680	4245008	52339	95	4,112	
M1A-23-DK22S	Weka DK22S	23 amp	800/1640/2430	4245011	66795	95	4,112	
COMPLETE M-1 ANCHOR DRILL RIGS WITHOUT CONTROL PANEL (Control panel not needed - Includes LED meter and on/off switch on motor)								
M1A-20-CB733WO	Core Bore CB733	20 amp	550/1000/1600	4245114	39195	98	\$2,304	Anchor Stand, Motor
M1A-25-CB744	Core Bore CB744*	25 amp	385/530/975/1340	4245103	81054	98	3,184	

CB733 and CB744 motors do not require a control panel for operation. These motors include LED amp meter and on/off switch.

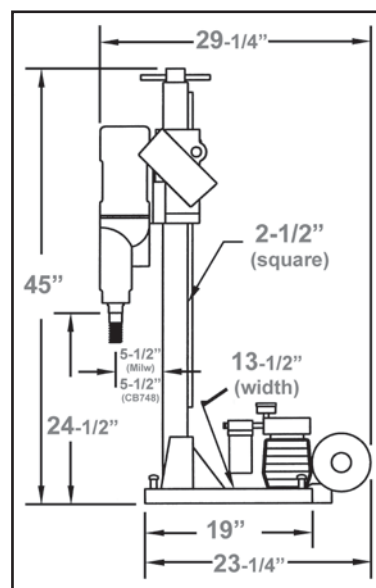
Over a Thousand Different Ways to Build Your Custom Rig!

Looking for a Quick Disconnect on Your M-1 Rig? Use Part # 4699961, Cat # 469830



M-1 ANCHOR

Location to drill anchor hole = 12" measured from the center of the motor spindle to the center of the anchor slot on base



M-1 COMBINATION

Location to drill anchor hole = 12-1/2" measured from the center of the motor spindle to the center of the anchor/vacuum slot on base



Vacuum base gasket provides a seal to keep the base vacuumed to the surface

M=2 HEAVY DUTY CORE RIG

The #1 Pro Rig in the U.S.A.



M-2 Anchor Rig with CB744 motor (no control panel needed)

M-2 Complete Combo Rig with Weka motor



Combination Stand Only		
Part #	Cat #	List Price
4241055	01700	\$1,388
4241058 w/roller carriage	01703	1,644
4243053 for Weka, CB733 & CB744	77218	1,362

Angle Combination Stand Only		
Part #	Cat #	List Price
4241056	01702	\$1,770

10" Standard Bit Capacity, 36" w/spacers
14" Standard Bit Capacity (CB733, CB744)

Features & Benefits:

- Heavy duty rig for larger jobs and the professional driller
- Dual switch/outlet control panel with amp meter (except for CB733 and CB744 models with LED amp meter)
- 2-7/8" precision made, chrome plated square column (mast)
- Vacuum pump for quick mounting to flat surface without drilling an anchor hole (Included with combination rig)
- Combo base changes over from vacuum to anchor base
- 6" wheels for easy mobility
- 4 Leveling Screws on base
- Larger mast to withstand high torque and large diameter bits
- The 4-spoke handle allows the operator to easily apply feed pressure
- Optional roller carriage allows for more precise drilling
- Auto-feed option available (see page 212)

Upgrade your slide carriage to a heavy duty roller carriage, which lasts longer and gives precision movement. Order with new rigs or for existing rigs.



Anchor Stand Only		
Part #	Cat #	List Price
4241100	01714	\$1,223
4243054 for Weka, CB733 & CB744	77045	1,199

Large Base Anchor Stand Only		
Part #	Cat #	List Price
4241064	01708	\$1,388

Angle Anchor Stand Only		
Part #	Cat #	List Price
4241110	01717	\$1,598



MADE IN THE U.S.A.

M-2 Roller Carriage Upgrade (With New Rig)		
Part #	Cat #	List Price
4241000	01684	\$266

M-2 Roller Carriage Upgrade (Existing Rigs)		
Part #	Cat #	List Price
4277531	01844	\$1,024

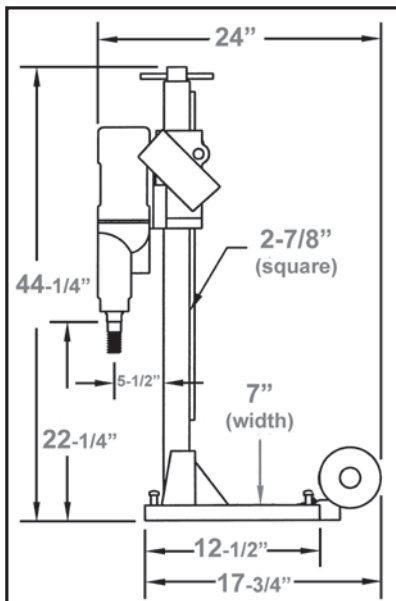
M-2

COMPLETE M-2 COMBINATION DRILL RIGS WITH VACUUM PUMP								INCLUDES:
Model #	Motor Make/Model	Power	Motor RPM	Part #	Cat #	Product Weight (lbs.)	List Price	Combo Stand, Motor, Vacuum Pump, Control Panel
M2C-20-MW4004-V	Milwaukee 4004	20 amp	300/600	4241048	01694	139	\$3,737	
M2C-20-MW4096-V	Milwaukee 4096	20 amp	450/900	4241059	01704	139	3,737	
M2C-20-MW4005-V	Milwaukee 4005	20 amp	600/1200	4241049	01695	139	3,737	
M2C-15-MW4097-V	Milwaukee 4097	15 amp	500/1000	4241051	59573	139	3,693	
M2C-23-DK22-V	Weka DK22	23 amp	550/1120/1680	4241068	47426	137	5,079	
M2C-23-DK22S-V	Weka DK22S	23 amp	800/1640/2430	4241069	50007	137	5,079	
COMPLETE M-2 COMBINATION DRILL RIGS WITHOUT CONTROL PANEL (Control Panel not needed - Includes LED meter and on/off switch on motor)								Combo Stand, Motor, Vacuum Pump
M2C-20-CB733WO	Core Bore CB733	20 amp	550/1000/1600	4245118	39330	118	\$3,311	
M2C-25-CB744WO	Core Bore CB744*	25 amp	385/530/975/1340	4245107	81057	122	4,242	
COMPLETE M-2 COMBINATION DRILL RIGS WITHOUT VACUUM PUMP								Combo Stand, Motor, Control Panel
M2C-20-MW4004	Milwaukee 4004	20 amp	300/600	4241083	76314	124	\$3,351	
M2C-20-MW4096	Milwaukee 4096	20 amp	450/900	4241084	75479	124	3,351	
M2C-20-MW4005	Milwaukee 4005	20 amp	600/1200	4241085	69558	124	3,351	
M2C-15-MW4097	Milwaukee 4097	15 amp	500/1000	4241086	76984	124	3,269	
M2C-23-DK22	Weka DK22	23 amp	550/1120/1680	4241088	73291	120	4,696	
M2C-23-DK22S	Weka DK22S	23 amp	800/1640/2430	4241089	75275	120	4,696	
COMPLETE M-2 ANCHOR DRILL RIGS								Anchor Stand, Motor, Control Panel
M2A-20-MW4004	Milwaukee 4004	20 amp	300/600	4241009	01692	114	\$3,184	
M2A-20-MW4096	Milwaukee 4096	20 amp	450/900	4241003	01687	114	3,184	
M2A-20-MW4005	Milwaukee 4005	20 amp	600/1200	4241010	01693	114	3,184	
M2A-15-MW4097	Milwaukee 4097	15 amp	500/1000	4241006	01689	114	3,103	
M2A-23-DK22	Weka DK22	23 amp	550/1120/1680	4241008	01691	114	4,529	
M2A-23-DK22S	Weka DK22S	23 amp	800/1640/2430	4241011	52247	114	4,529	
COMPLETE M-2 ANCHOR DRILL RIGS WITHOUT CONTROL PANEL (Control panel not needed - Includes LED meter and on/off switch on motor)								Anchor Stand, Motor
M1C-20-CB733WO	Core Bore CB733	20 amp	550/1000/1600	4245117	39324	110	\$2,662	
M1C-25-CB744WO	Core Bore CB744*	25 amp	385/530/975/1340	4245106	81062	115	3,638	

CB733 and CB744 motors do not require a control panel for operation. These motors include LED amp meter and on/off switch.

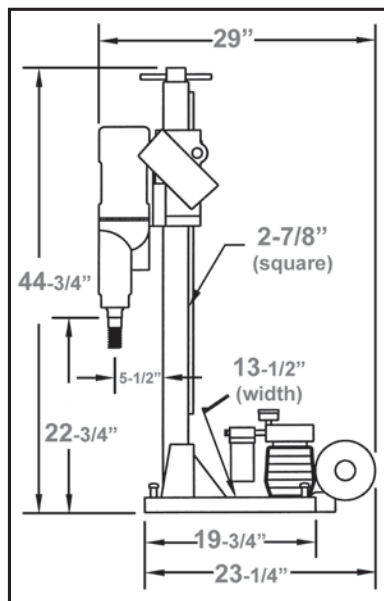
Over a Thousand Different Ways to Build Your Custom Rig!

Looking for a Quick Disconnect on Your M-2 Rig? Use Part # 4699961, Cat # 469830



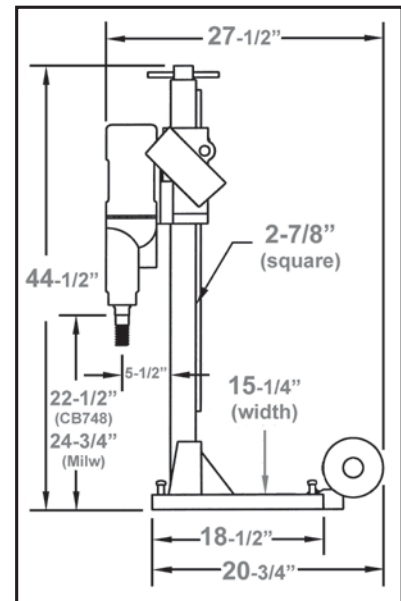
M-2 ANCHOR

Location to drill anchor hole = 12" measured from the center of the motor spindle to the center of the anchor slot on base



M-2 COMBO

Location to drill anchor hole = 12" measured from the center of the motor spindle to the center of the anchor/vacuum slot on base



M-2 LARGE ANCHOR

Location to drill anchor hole = 12-1/2" measured from the center of the motor spindle to the center of the anchor slot on base

M-3 LIGHT WEIGHT STAIR RIG

Allows You to Remove the Motor To Use in Hand-Held Applications



34" overall mast height

Anchor Stand Only for Milwaukee & CB Motors

Part #	Cat #	List Price
4247540	01823	\$ 708

Anchor Stand Only for WEKA Motors

Part #	Cat #	List Price
4247541	48110	\$ 701



Bit not included

Part # 4247405

6" Standard Bit Capacity, 3" (hand held)

Features & Benefits:

- Single switch outlet control panel with amp meter (except for CB733 and CB744 models with LED amp meter)
- 1-1/2" square column (mast) with black oxidized finish
- Swivel base and mast can turn 360° for easy drilling on stairs
- 4 leveling screws on the base
- Wheel kit on anchor models
- Light weight and economical
- Slide handle permits drilling in tight areas
- Compact size for hard-to-reach drilling areas
- Ceiling jack helps keep the rig in place as a backup for anchoring or vacuuming the base down (used with a brace piece-2x4 or other material)
- Weka models allow the motor to be unmounted and used hand-held



30" overall swivel mast height

Combo Stand Only for Milwaukee & CB Motors

Part #	Cat #	List Price
4247546	01825	\$ 749

Combo Stand Only for WEKA Motors

Part #	Cat #	List Price
4247547	49709	\$ 764



Vacuum Seal Retention Keeps Vacuum Gasket Held Into the Base Longer for a Durable Seal

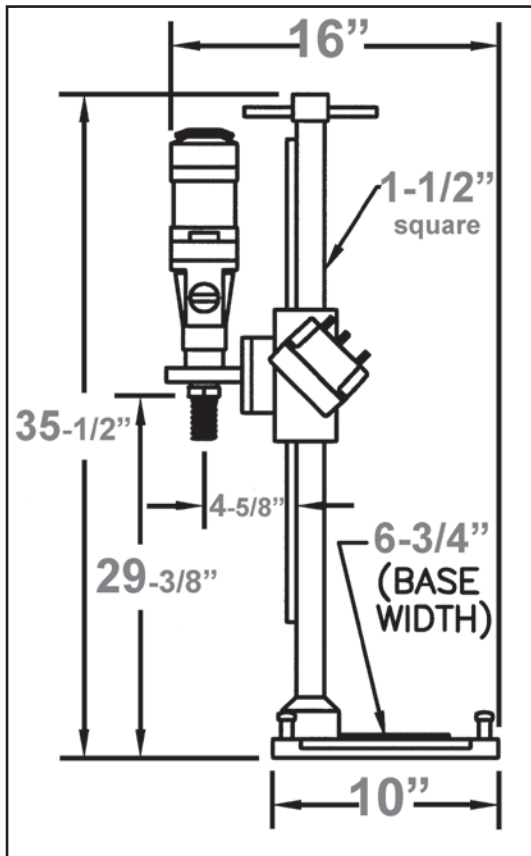


MADE IN THE U.S.A.

M-3

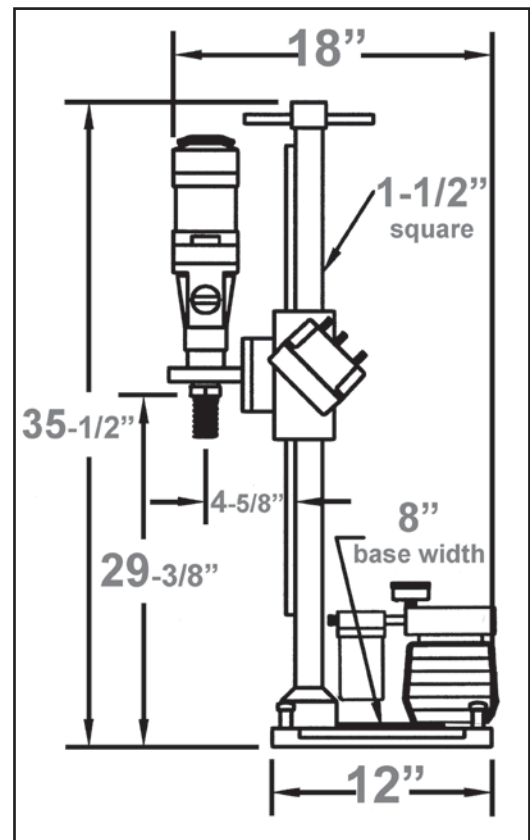
M-3 COMBINATION DRILL RIGS WITH VACUUM PUMP							INCLUDES:
MODEL #	MOTOR	RPM	Part #	Cat #	Product Weight (lbs.)	List Price	Combo Stand, Motor, Control Panel, Vacuum Pump
M3C-14-DK12-V	14 Amp Weka DK12	970/2330/4400	4247405	01819	84	\$3,533	
M3C-14-DK13-V	14 Amp Weka DK13	970/2330/4400	4247406	87271	84	4,056	
M3C-15-MW4097-V	15 Amp Milwaukee	500/1000	4247435	01820	90	3,152	
M3C-20-MW4004-V	20 Amp Milwaukee	300/600	4247538	10165	90	3,235	
M3C-20-MW4096-V	20 Amp Milwaukee	450/900	4247530	54220	90	3,266	
M3C-20-MW4005-V	20 Amp Milwaukee	600/1200	4247539	01822	90	3,266	
M-3 COMBINATION DRILL RIGS WITHOUT VACUUM PUMP							
M3C-14-DK12	14 Amp Weka DK12	970/2330/4400	4247437	76919	63	\$3,115	Combo Stand, Motor, Control Panel
M3C-15-MW4097	15 Amp Milwaukee	500/1000	4247438	65890	63	2,669	
M3C-20-MW4004	20 Amp Milwaukee	300/600	4247441	10166	68	2,741	
M3C-20-MW4096	20 Amp Milwaukee	450/900	4247442	70581	68	2,741	
M3C-20-MW4005	20 Amp Milwaukee	600/1200	4247443	10168	68	2,741	
M-3 ANCHOR DRILL RIGS							
M3A-14-DK12	14 Amp Weka DK12	970/2330/4400	4247001	01811	68	\$3,061	Anchor Stand, Motor, Control Panel
M3A-15-MW4097	15 Amp Milwaukee	500/1000	4247003	01813	68	2,617	
M3A-20-MW4004	20 Amp Milwaukee	300/600	4247009	49990	70	2,697	
M3A-20-MW4096	20 Amp Milwaukee	450/900	4247008	47280	70	2,697	
M3A-20-MW4005	20 Amp Milwaukee	600/1200	4247010	01817	70	2,697	

Over a Thousand Different Ways to Build Your Custom Rig!



M-3 ANCHOR

Location to drill anchor hole = 12" measured from the center of the motor spindle to the center of the anchor slot on base



M-3 COMBO

Location to drill anchor hole = 11-1/2" measured from the center of the motor spindle to the center of the anchor/vacuum slot on base

M-4 MULTI-PURPOSE CORE RIG

Great Versatility in a Light Weight Rig



(30" mast)



(42" mast)



Bits not included

Anchor Stand Only for Weka Motor

Part #	Cat #	List Price
4240024	47074	\$784

For Milwaukee Motor

4240027	47860	\$784
---------	-------	-------

Combination Stand Only for Weka Motor

Part #	Cat #	List Price
4240022	47885	\$1,039

For Milwaukee Motor

4240026	47564	\$1,039
---------	-------	---------

6" Standard Bit Capacity, 3" (hand held)

Features & Benefits:

- Great for the general contractor (basic drilling) or plumber (hand-held drilling), electrical or mechanical contractor
- Reversible slide handle (for use on left or right side)
- High strength, hard anodized 1-5/8" x 2" aluminum column
- Top carrying handle
- Quick release motor mount
- Carriage lock
- Leveling bolts on all model bases
- Hand-held option
- 4 Leveling screws on base
- Light weight and portable
- Combo bases have angle braces for drilling up to 45°
- 4 adjustable slide bearings provide superior carriage rigidity
- Quick change over from vacuum to anchor base

Swivel masts can be rotated 360°



(30" mast)



(30" mast)

Combination Angle Stand Only for Weka Motor

Part #	Cat #	List Price
4240020	01680	\$957

For Milwaukee Motor

4240025	01683	\$957
---------	-------	-------

Swivel Combo Stand Only for Weka Motor

Part #	Cat #	List Price
4240028	47778	\$840

For Milwaukee Motor

4240029	59343	\$840
---------	-------	-------

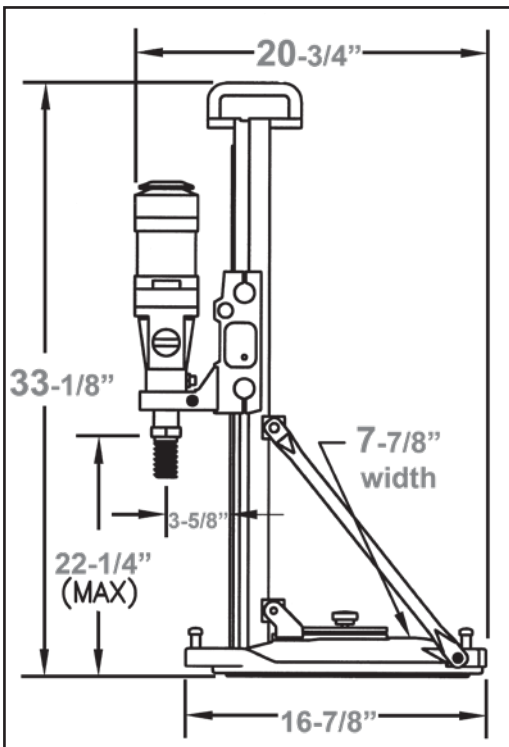


Vacuum seal retention keeps vacuum gasket held into the base longer for a durable seal



MADE IN THE U.S.A.

M-4 COMPLETE COMBINATION DRILL RIGS WITH VACUUM PUMP							INCLUDES:
Model #	Motor	RPM	Part #	Cat #	Product Weight (lbs.)	List Price	
M4C-14-DK12-V	14 Amp Weka DK12	970/2330/4400	4240001	00020	74	\$3,500	Combo Stand, Motor, Vacuum Pump
M4C-14-DK13-V	14 Amp Weka DK13	970/2330/4400	4240044	51033	74	3,728	
M4C-19-DK16-V	19 Amp Weka DK16 (110V)	900/1900/3900	4240054	98393	74	3,761	
M4C-15-MW4097-V	15 Amp Milwaukee	500/1000	4240002	01677	85	3,158	
M4C-20-MW4004-V	20 Amp Milwaukee	300/600	4240004	46815	85	3,235	
M4C-20-MW4096-V	20 Amp Milwaukee	450/900	4240005	01678	85	3,235	
M4C-20-MW4005-V	20 Amp Milwaukee	600/1200	4240006	01679	85	3,235	
M4C-7-DK12-V	7 Amp Weka DK12 (230V)	970/2330/4400	4240009	60114	74	3,972	
M-4 COMPLETE COMBINATION DRILL RIGS WITHOUT VACUUM PUMP							
M4C-14-DK12	14 Amp Weka DK12	970/2330/4400	4240046	66489	67	\$3,077	Combo Stand, Motor
M4C-14-DK13	14 Amp Weka DK13	970/2330/4400	4240047	66975	67	3,304	
M4C-19-DK16	19 Amp Weka DK16 (110V)	900/1900/3900	4240057	08871	67	3,298	
M4C-15-MW4097	15 Amp Milwaukee	500/1000	4240048	68601	68	2,725	
M4C-20-MW4004	20 Amp Milwaukee	300/600	4240050	89951	68	2,803	
M4C-20-MW4096	20 Amp Milwaukee	450/900	4240051	72631	68	2,803	
M4C-20-MW4005	20 Amp Milwaukee	600/1200	4240052	76402	68	2,803	
M4C-7-DK12	7 Amp Weka Dk12 (230V)	970/2330/4400	4240053	10169	66	3,547	
M-4 COMPLETE ANCHOR DRILL RIGS							
M4A-14-DK12	14 Amp Weka DK12	970/2330/4400	4240010	46871	67	\$2,902	Anchor Stand, Motor
M4A-14-DK13	14 Amp Weka DK13 Dry	970/2330/4400	4240045	61221	67	3,168	
M4A-19-DK16	19 Amp Weka DK16 (110V)	900/1900/3900	4240055	98683	70	3,211	
M4A-15-MW4097	15 Amp Milwaukee	500/1000	4240011	48859	63	2,499	
M4A-20-MW4004	20 Amp Milwaukee	300/600	4240013	69636	63	2,574	
M4A-20-MW4096	20 Amp Milwaukee	450/900	4240014	52505	63	2,574	
M4A-20-MW4005	20 Amp Milwaukee	600/1200	4240015	58320	63	2,574	
M4A-7-DK12	7 Amp Weka DK12 (230V)	970/2330/4400	4240016	87938	68	3,374	
M-4 COMPLETE SWIVEL DRILL RIGS WITH VACUUM PUMP							
M4S-14-DK12	14 Amp Weka DK12	580/1400/2900	4240030	46983	76	\$3,367	Combo Swivel Stand, Motor, Vacuum Pump
M4S-19-DK16	19 Amp Weka DK16 (110V)	900/1900/3900	4240056	98684	76	3,627	
M4S-15-MW4097	15 Amp Milwaukee	500/1000	4240031	80917	84	3,055	
M4S-20-MW4004	20 Amp Milwaukee	300/600	4240033	10170	84	3,099	
M4S-20-MW4096	20 Amp Milwaukee	450/900	4240034	68389	84	3,130	
M4S-20-MW4005	20 Amp Milwaukee	600/1200	4240035	93513	84	3,130	
M4S-7-DK12	7 Amp Weka DK12 (230V)	970/2330/44 00	4240036	76985	80	3,912	



M-4

Location to drill anchor hole =
 9-3/4" (combo rig),
 9-1/4" (anchor rig)

Measured from the center of the motor spindle to the center of the anchor/vacuum slot on base (*Complete Anchor Rig does not have a vacuum slot on base)



The motor, quick release allows you to take the motor out and use hand-held (Weka DK12 and DK13 only)

M-5 HEAVY DUTY QUICK DISCONNECT CORE RIG RIG

The Lightest Big Rig On The Market!



Anchor Stand Only			
Mast Size	Part #	Cat #	List Price
40" Mast	4220080	46987	\$1,293
50" Mast	4220082	59150	1,393
60" Mast	4220081	58402	1,492



Bits not included

12" Standard Bit Capacity, 20" w/Spacers
16" Standard Bit Capacity (CB733, CB744)

Features & Benefits:

- Quick release motor mount
- 4-spoke sliding handle (can be used on right or left)
- Positive carriage lock
- 2-1/2" x 3" extruded aluminum light weight column (mast) that is hard anodized to prevent wear
- Quick release vacuum button
- Top carrying handle (ceiling jack available)
- Large bit capacity in a smaller rig system
- Allows for mounting hydraulic motors
- Angle stand to drill up to 45°
- Double column support for increased stability
- Easily adjustable slide bearings



The M-5 has a quick disconnect motor mount that makes it easy to remove the motor



Combination Angle Stand Only			
Mast Size	Part #	Cat #	List Price
40" Mast	4220030	46894	\$1,610
50" Mast	4220032	51407	1,700
60" Mast	4220031	60833	1,736



MADE IN THE U.S.A.



Vacuum seal retention keeps vacuum gasket held into the base longer for a durable seal

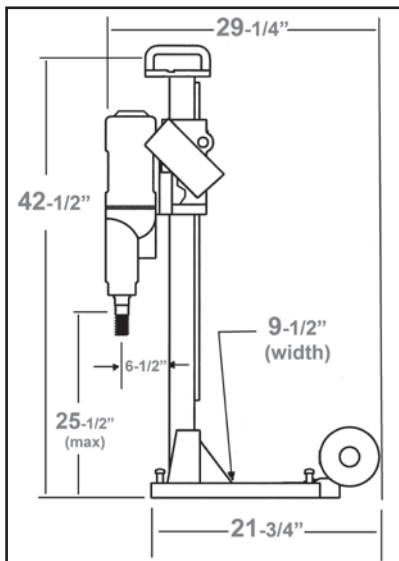
*Spacer blocks and Quick Disconnect Outriggers are found on page 205. Special plate needed for hydraulic motor



M-5

M-5 COMBINATION DRILL RIGS WITH VACUUM PUMP							INCLUDES:
Model #	Motor	Motor RPM	Part #	Cat #	Product Weight (lbs.)	List Price	Combo Stand, Motor, Control Panel, Vacuum Pump
M5C-23-DK22-V	23 Amp Weka DK22	550/1120/1680	4220001	47175	125	\$5,433	
M5C-23-DK22S-V	23 Amp Weka DK22S	800/1640/2430	4220002	49581	125	5,433	
M5C-20-CB744-V	25 Amp Core Bore CB744*	385/530/975/1340	4245110	81063	130	4,396	
M5C-20-MW4004-V	20 Amp Milwaukee	300/600	4220005	59637	119	4,066	
M5C-20-MW4096-V	20 Amp Milwaukee	450/900	4220006	47172	119	4,066	
M5C-20-MW4005-V	20 Amp Milwaukee	600/1200	4220007	69870	119	4,066	
M5C-15-MW4097-V	15 Amp Milwaukee	500/1000	4220009	56171	119	3,979	
M5C-11-DK22-V	11 Amp Weka DK22 (230V)	550/1120/1680	4220010	62089	114	5,395	
M5C-11-DK22S-V	11 Amp Weka DK22S (230V)	800/1640/2430	4220011	49825	114	5,395	
M-5 COMBINATION DRILL RIGS WITHOUT CONTROL PANEL (Control panel not needed - Includes LED meter and on/off switch on motor)							
M5C-20-CB733WO	Core Bore CB733	550/1000/1600	4245121	39420	108	\$3,804	Combo Stand, Motor, Vacuum Pump
M5C-25-CB744WO	Core Bore CB744*	385/530/975/1340	4245110	81063	110	4,396	
M-5 COMBINATION DRILL RIGS WITHOUT VACUUM PUMP							
M5C-23-DK22	23 Amp Weka DK22	550/1120/1680	4220017	70410	105	\$4,876	Combo Stand, Motor, Control Panel
M5C-23-DK22S	23 Amp Weka DK22S	800/1640/2430	4220018	70564	105	4,876	
M5C-20-CB744	25 Amp Core Bore CB744*	385/530/975/1340	4245108	81064	105	3,964	
M5C-20-MW4004	20 Amp Milwaukee	300/600	4220020	66833	99	3,649	
M5C-20-MW4096	20 Amp Milwaukee	450/900	4220021	70023	99	3,649	
M5C-20-MW4005	20 Amp Milwaukee	600/1200	4220022	74223	99	3,649	
M5C-15-MW4097	15 Amp Milwaukee	500/1000	4220024	72396	99	3,565	
M5C-11-DK22	11 Amp Weka DK22 (230V)	550/1120/1680	4220025	10187	98	4,924	
M5C-11-DK22S	11 Amp Weka DK22S (230V)	800/1640/2430	4220026	84682	98	5,023	
M-5 ANCHOR DRILL RIGS							
M5A-23-DK22	23 Amp Weka DK22	550/1120/1680	4220051	47688	87	\$4,703	Anchor Stand, Motor, Control Panel
M5A-23-DK22S	23 Amp Weka DK22S	800/1640/2430	4220052	66630	87	4,703	
M5A-20-CB744	25 Amp Core Bore CB744*	385/530/975/1340	4245109	81065	91	3,778	
M5A-20-MW4004	20 Amp Milwaukee	300/600	4220055	72845	91	3,304	
M5A-20-MW4096	20 Amp Milwaukee	450/900	4220056	57905	91	3,304	
M5A-20-MW4005	20 Amp Milwaukee	600/1200	4220057	47176	91	3,304	
M5A-15-MW4097	15 Amp Milwaukee	500/1000	4220059	10190	91	3,222	
M5A-11-DK22	11 Amp Weka DK22 (230V)	550/1120/1680	4220060	54577	86	4,751	
M5A-11-DK22S	11 Amp Weka Dk22S (230V)	800/1640/2430	4220061	70390	86	4,846	
M-5 ANCHOR DRILL RIGS WITHOUT CONTROL PANEL							
M5C-20-CB733WO	Core Bore CB733	550/1000/1600	4245120	39390	90	\$2,777	Anchor Stand, Motor
M5C-25-CB744WO	Core Bore CB744*	385/530/975/1340	4245109	81065	96	3,778	

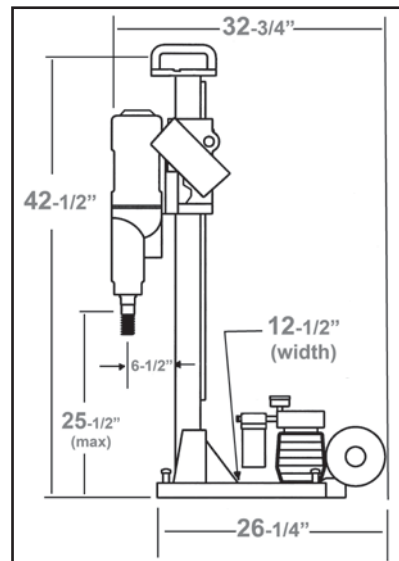
M-5



CB733 and CB744 motors do not require a control panel for operation. These motors include LED amp meter and on/off switch.

M-5 ANCHOR

Location to drill anchor hole = 13-1/2" measured from the center of the motor spindle to the center of the anchor slot on base



M-5 COMBO

Location to drill anchor hole = 13" measured from the center of the motor spindle to the center of the anchor/vacuum slot on base

M-5 PRO HEAVY DUTY QUICK DISCONNECT CORE RIG

The Fastest Professional Quick-Disconnect Rig



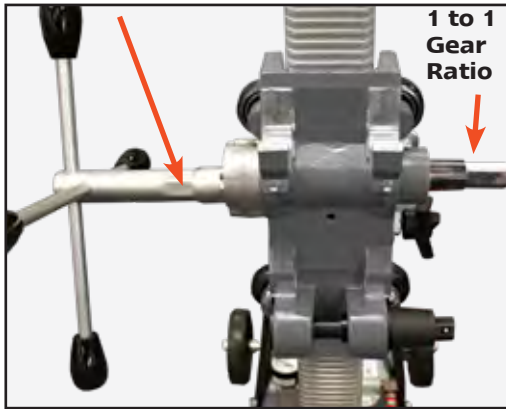
Anchor Rig

M-5 PRO
Combination Rig with CB744 motor
(Control panel not needed with
CB733 or CB744 motors)



Bit not included

3 to 1 Gear Reduction



2 Gear Ratios

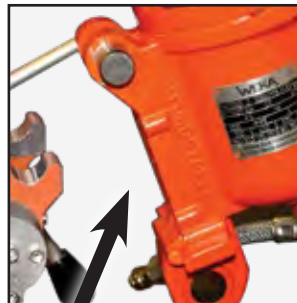
11" Standard Bit Capacity
16" Standard Bit Capacity (CB733, CB744)

Features & Benefits:

- Quick disconnect motor mount that makes it easy to remove the motor
- 4-spoke handle (can be used on right or left) on combo rig
- Positive carriage lock and friction lock
- Extruded aluminum light weight column (mast) that has a reinforced track with steel roller guide and rollers
- Dual control panel/amp meter included with combination rigs
- Quick release vacuum button
- Convenient carrying handle
- Level bubble on column
- 2 gear ratios for easy carriage feed
- Angle stand to drill up to 45°



Non-integrated motor mount with adapter for use with standard mounting motors



Integrated motor mount for Weka DK22F and DK32F only



Q.D. Adapter		
Part #	Cat #	List Price
4600204	38765	\$111

See page 205 For Quick Disconnect Outriggers!

Note: Older motor mounts and outriggers do not fit the M-5 Pro

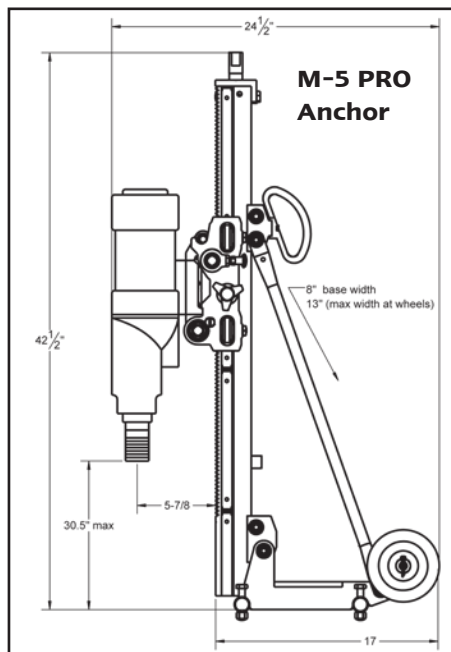
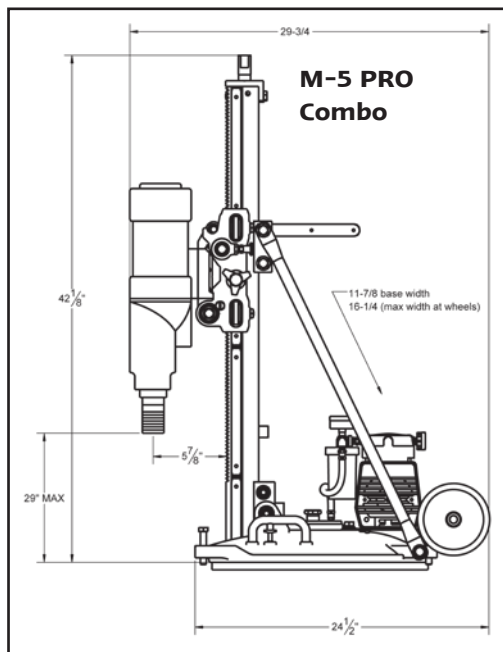
M-5 PRO

M-5 PRO HEAVY DUTY Q.D. CORE RIGS

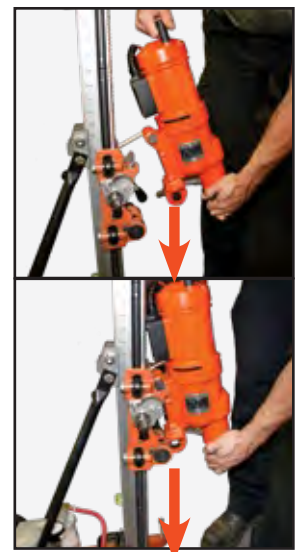
M-5 PRO COMBINATION DRILL RIGS WITH VACUUM PUMP							INCLUDES:	
Model #	Motor	Motor RPM	Part #	Cat #	Product Weight (lbs)	List Price		
M5PC-DK22-110V	Weka DK22F	550/1120/1680	4220040	38751	118	\$6,416	Combo Stand, Motor, Vacuum Pump, Control Panel	
M5PC-DK22-230V	Weka DK22F	550/1120/1680	4220041	38752	118	6,416		
M5PC-DK32-110V	Weka DK32F	380/800/1200	4220042	38753	119	6,650		
M5PC-DK32-230V	Weka DK32F	380/800/1200	4220043	38757	119	6,650		
M-5 PRO COMBINATION DRILL RIGS WITHOUT CONTROL PANEL (Control panel not needed - Includes LED meter and on/off switch on motor)								
M5PC-CB733-WOCP	CB733	550/1000/1600	4220095	39455	115	\$4,145	Combo Stand, Motor, Vacuum Pump	
M5PC-CB744-WOCP	CB744	385/530/975/1340	4220092	81600	119	4,622		
M-5 PRO COMBINATION DRILL RIGS WITHOUT VACUUM PUMP								
M5PC-DK22-110	Weka DK22F	550/1120/1680	4220064	38758	118	\$5,930	Combo Stand, Motor, Control Panel	
M5PC-DK22-230	Weka DK22F	550/1120/1680	4220065	38759	118	5,930		
M5PC-DK32-110	Weka DK32F	380/800/1200	4220066	38761	119	6,165		
M5PC-DK32-230	Weka DK32F	380/800/1200	4220067	38762	119	6,165		
M-5 PRO ANCHOR DRILL RIGS								
M5PA-DK22-110	Weka DK22F	550/1120/1680	4220074	47809	92	\$5,555	Anchor Stand, Motor, Control Panel	
M5PA-DK22-230	Weka DK22F	550/1120/1680	4220075	47826	92	5,555		
M5PA-DK32-110	Weka DK32F	380/800/1200	4220076	47831	94	5,778		
M5PA-DK32-230	Weka DK32F	380/800/1200	4220077	45062	94	5,778		
M-5 PRO ANCHOR DRILL RIGS WITHOUT CONTROL PANEL (Control panel not needed - Includes LED meter and on/off switch on motor)								
M5PA-CB733-WOCP	CB733	550/1000/1600	4220097	39533	93	\$4,028	Anchor Stand, Motor,	
M5PA-CB744-WOCP	CB744	385/530/975/1340	4220094	81604	96	4,523		

CB733 and CB744 motors do not require a control panel for operation. These motors include LED amp meter and on/off switch.

M-5 PRO ACCESSORIES				
Description	Part #	Cat #	Weight (lbs.)	List Price
M-5 PRO Anchor Drill Stand Only (39" LONG MAST)	4220071	47807	65	\$2,317
M-5 PRO Combo Drill Stand Only (39" mast)	4220070	38764	72	2,092
M-5 PRO Quick Disconnect Motor Mount Assembly	4600204	38765	5	111
M-5 PRO Quick Disconnect Outrigger Assy (Add 7" of drilling diameter)	4400252	38766	10	302
M-5 PRO Quick Disconnect Outrigger Assy (Add 10" of drilling diameter)	4400253	38767	10	325



Easy Quick Disconnect Allows For Faster Coring That Cuts Job Costs
When attaching a motor that does not have the integrated motor mount, use Q.D. adapter

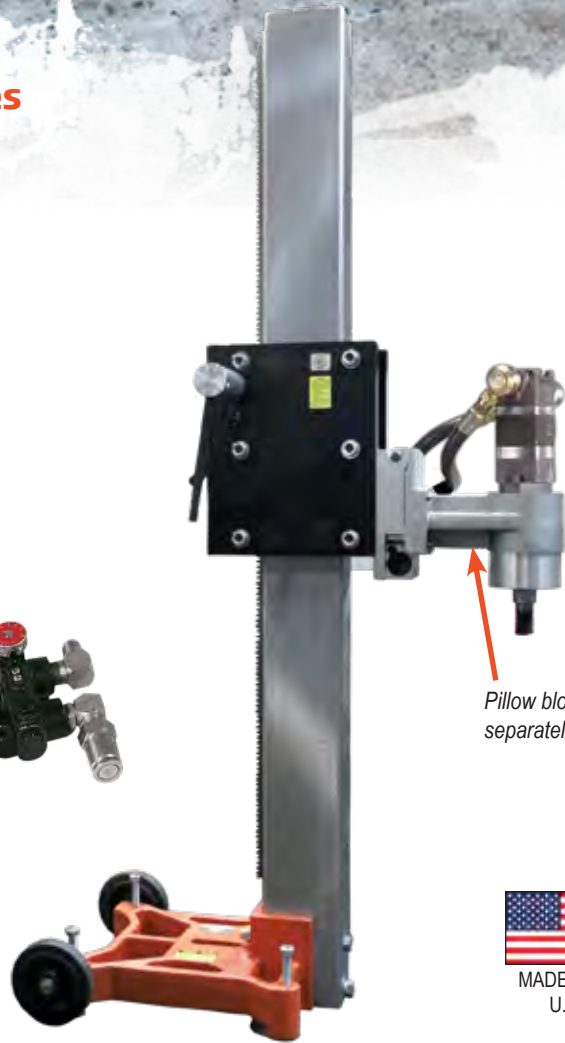


M-6 LARGE HYDRAULIC CORE RIG

**Makes Drilling Large Diameter Holes
Faster and Safer**



The M-6 Uses Hydraulic Motors, Pillow Blocks and Flow Control Valves
See page 182 for Hydraulic Components and page 183 Drilling Accessories



Pillow block sold separately



MADE IN THE U.S.A.

See page XXX for large diameter core bits



72" Bit Capacity (with spacers)

Features & Benefits:

- 18" bit capacity with standard pillow block.
- Add-on 4"x6" steel tube spacers available for drilling up to 72" diameter holes.
- Heavy duty 15" x 12" roller carriage
- Massive 72" tall, 4" x 6" rectangular mast
- Sturdy cast aluminum base (steel base optional)
- 4-spoke handles
- Wheel kit and leveling bolts
- 6" rubber wheels on stand base
- The large size and heavy duty construction makes the M-6 a safer way to drill with large diameter core bits
- Sold as a stand only so you can create your own system for your applications
- 2:1 gear reduction makes lifting larger bits easy

M-6 DRILL STANDS ONLY

Description	Part #	Cat #	Product Weight (lbs.)	List Price
Large anchor stand with wheels, and quick disconnect motor mount plate	4277581	47879	175	\$3,745
Large anchor stand with roller carriage and 120" mast	4277591	13971	195	3,836
M-6 steel anchor base only	4640083	78638	145	1,085

*Spacer blocks are found on page 143



Optional Steel Base Assembly

Includes: base, wheels, leveling bolts and hardware

M-6 Base Only		
Part #	Cat #	List Price
4640083	78638	\$1,085



M-6 Heavy Duty Roller Carriage

With cam lock quick disconnect 1:1 and 1:2 rack & pinion design and roller adjusters (included with M-6 stand only)

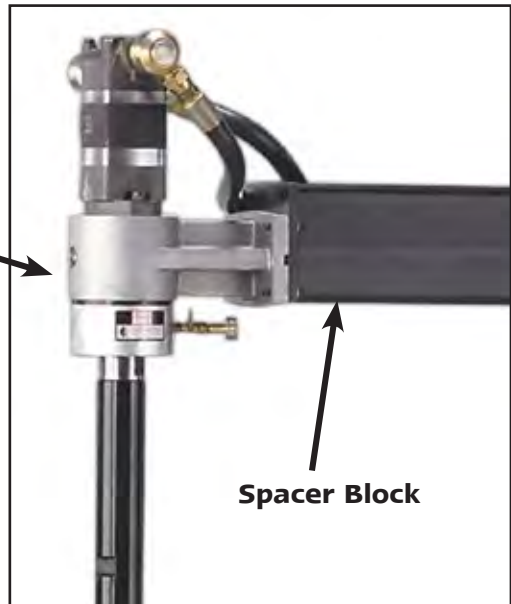
M-6 Roller Carriage		
Part #	Cat #	List Price
4640114	00973	\$2,382



M-6 Autofeed QD Carriage Assembly

With cam lock quick disconnect

M-6 Autofeed QD Carriage Assembly		
Part #	Cat #	List Price
4640115	14951	\$4,366

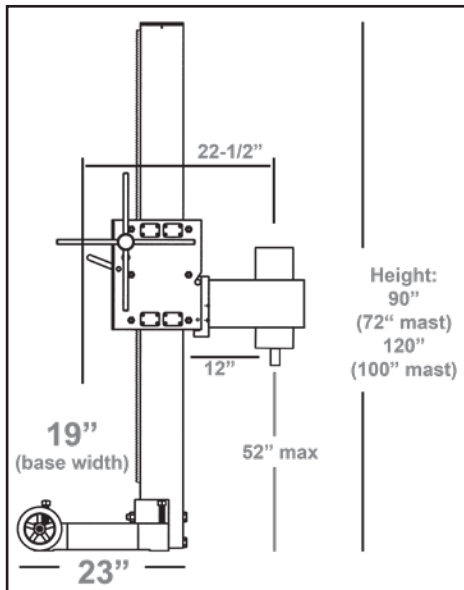


Pillow Block

Spacer Block

M-6 Pillow Block

M-6 Spacer Blocks			
Capacity	Part #	Cat #	List Price
Up to 36"	4640026	47072	\$158
Up to 48"	4640025	47073	173



Mast sizes:

- 60" Part # 4640123, Cat # 14562 \$933
- 72" Part # 4640000, Cat # 47837 \$1,519
- 96" Part # 4640042, Cat # 52380 \$1,964
- 120" Part # 4640063, Cat # 55510 \$2,411

HYDRAULIC DRILL MOTORS



Hydraulic motor with pillow block.



Mounted Hydraulic Motors

Danfoss, Char-Lynn and White Motors

Mounted into a pillow block with spindle. The core bit is then attached to the spindle for drilling. Motors include hydraulic hose connections.

RECOMMENDED BIT RPMs	
Bit Diameter	Recommended RPM
1"	3200
2"	1600
3"	1050
4"	800
6"	530
8"	400
10"	320
12"	265
14"	225
18"	175
20"	160
24"	130
36"	85
42"	75

See complete RPM chart on page 92

HYDRAULIC MOTOR RPM CHART-MAXIMUM RPM WITH CUBIC INCH DISPLACEMENT & GPM COMBINATIONS

Cubic Inch	Danfoss Motor				Char-Lynn Motor								White Motor	
	.77	1.16	1.55	1.94	4.9	6.2	8.0	9.6	11.9	14.9	18.7	24.0	32.0	45.6
Part #	4250012	4250013	4250014	4250015	4250008	4250007	4250006	4250005	4250004	4250002	4250000	4250003	4250010	4250011
Cat #	01836	01837	01838	01839	01833	47655	01832	01831	01830	01828	01826	01829	01834	01835
List Price	\$1,267	\$1,267	\$1,267	\$1,305	\$1,813	\$1,813	\$1,813	\$1,813	\$1,813	\$1,813	\$1,813	\$1,813	\$2,148	\$2,148
Part # without hoses	2600061	2600062	2600063	2600064	2600035	2600036	2600037	2600038	2600039	2600040	2600041	2600071	2600030	2600072
Cat # without hoses	79166	00459	00460	60281	72115	54629	66922	93802	57887	00451	96417	59570	42499	65754
List Price	\$897	\$914	\$940	\$1,091	\$928	\$913	\$1,027	\$951	\$936	\$957	\$982	\$1,018	\$1,348	\$1,416
8 GPM	2640	1680	1232	973	377	298	231	193	155	124	99	77	58	41
12 GPM	N/A	2520	1848	1459	566	447	347	289	233	186	148	116	87	61
20 GPM	N/A	N/A	N/A	2553	990	782	606	505	408	326	259	202	152	106
25 GPM	N/A	N/A	N/A	N/A	1226	969	751	626	505	403	321	250	188	132

To choose the right hydraulic motor for your application, follow this formula:

Closest G.P.M. of your power unit + closest RPM of core bit on the Bit RPM chart above and match these values on the chart above to get the Cubic Inch of the motor you need.

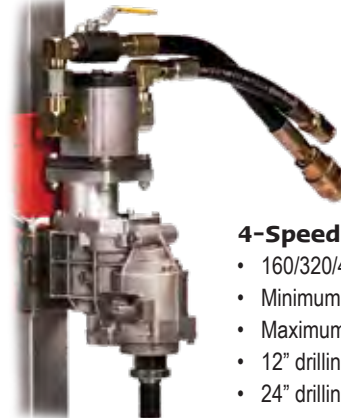


CORE BORE

4 HP Hand Held Hydraulic Motor

- 3-speed with slip clutch
- 300/800/1600 RPM
- 1.250"-7 spindle (6" capacity)
- 13 GPM maximum flow

4 HP Hand Held Hydraulic Motor		
Part #	Cat #	List Price
4244057	47075	\$6,131



CORE BORE

4-Speed Mounted Hydraulic Motor

- 160/320/480/960 RPM at 12 GPM
- Minimum RPM -110 at 8 GPM
- Maximum RPM-1600 at 20 GPM
- 12" drilling capacity without extension
- 24" drilling capacity with extension

4-Speed Mounted Hydraulic Motor		
Part #	Cat #	List Price
4250021	84446	\$4,870

HYDRAULIC & PNEUMATIC COMPONENTS



Pillow Block Assembly
1.250"-7 spindle
Part # 4277539



Pillow Block Assembly
1-.875"-7 spindle
Part # 4277540



M-4 Pillow Block Assembly
For use with M-4 core rigs and Danfoss motor
1.250"-7 spindle
Part # 4600039



Mounted Flow Control Valve for Char-Lynn Motors Only

Variable speed control that adjusts drilling speeds from zero to the maximum RPM your motor allows. Connects directly into motor. For use with hydraulic mounted motors.
Part # 4699956 (0-25 GPM)



Flow Control Valve

Variable speed control that adjusts drilling speeds from zero to the maximum RPM your motor allows.
Part # 4250019 (0-20 GPM)



In-line Flow Control Valve

Part # 4699967 (0-25 GPM)

HYDRAULIC COMPONENTS

Description	Part #	Cat #	Product Weight (lbs)	List Price
Pillow Block Assembly-1.250"-7 spindle for Char-Lynn motors	4277539	01853	29	\$1,228
Pillow Block Assembly-1.875"-7 spindle for Char-Lynn motors	4277540	01855	30	1,526
Pillow Block Assembly-1.250"-7 spindle for White motors	4277547	20243	29	1,228
Pillow Block Assembly-1.875"-7 spindle for White motors	4277546	99280	30	1,526
Pillow Block Assembly-1.250"-7 spindle for M-4 with Danfoss Hydraulic motors	4600039	47441	6	829
In-line On/Off Valve (3/2 way) for power units w/gear motor (CB15 and CB24)	4640090	85296	23	983
Flow Control Valve (Hydraulic motors only) 0-20 GPM	4250019	01840	23	829
Flow Control Valve (in-line) 0-25 GPM*	4699967	47662	23	882
Flow Control Valve, motor (mounted) for Char-Lynn Hydraulic motors only* 0-25 GPM	4699956	47556	9	557
Flow Control Valve hose w/1/2" fittings for Char-Lynn Hydraulic flow control valve (4699956)	4699990	49038	12	260
Flow Control Valve hose w/3/4" fittings for Char-Lynn Hydraulic flow control valve (4699956)	4699989	48980	12	406

* Must order hose kit separately



Ingersoll-Rand Air Motors

- Shown with pillow block
- Variable speeds depending on air source



Hand Held Air Motors

- 3-speed with slip clutch
- Includes 5/8"-11 and 1.250"-7 spindle
- Up to 4" bit capacity

AIR-PNEUMATIC MOTORS

DESCRIPTION	RPM	Safety Override	Max CFM	Part #	Cat #	Product Weight (lbs)	List Price
2.1 HP hand held, 3 speed @ 90 psi	300/500/1500	Slip Clutch	77	4244054	51479	35	\$4,807
3.8 HP hand held, 3 speed @ 90 psi	190/420/805	Slip Clutch	122	4244053	47377	32	5,483
3.5 HP Ingersoll-Rand	Variable	N/A	95	4244051	01765	31	8,361
8 HP Ingersoll-Rand	Variable	N/A	230	4244052	70339	31	13,965

DRILLING COMPONENTS

U.M.D. ULTIMATE DRILLING MACHINE

Increase Your Drilling Profits

**Self Contained Hydraulic Power Unit,
Electric Generator and Core Drill - ALL IN ONE!**

HYDRAULIC

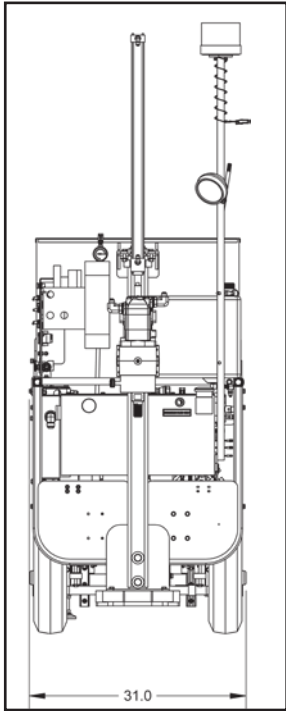
- Hydraulic power supply with flow control
- 14 GPM maximum,
- 2,100 PSI maximum

ELECTRIC

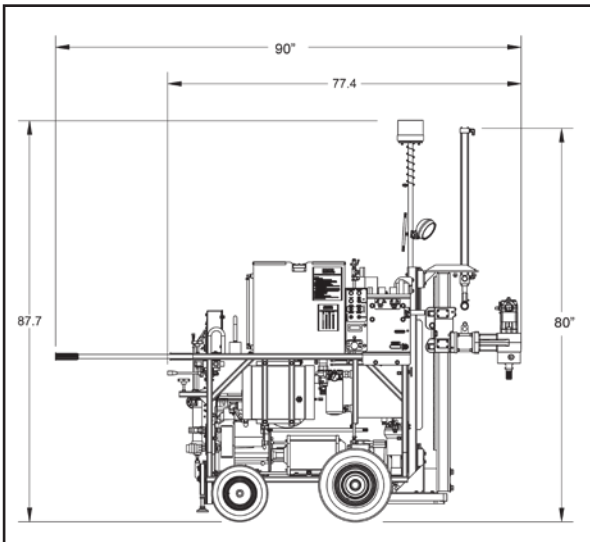
- 5,000 watts electric power supply
- 115 volt and 230 volt twist locks
- 115 volt ground fault interrupt



MADE IN THE
U.S.A.



Dry Weight = 1,650 lbs.
Weight with oil, gas & water =
2,082 lbs.



24" Bit Capacity **Gasoline** **Electric** **Hydraulic**

Features & Benefits:

- Honda GX670 engine with electric start
- Self propelled
- 9 gallon fuel tank
- 44 gallon water tank for wet drilling
- Spot light and strobe light
- Power feed drill carriage
- Outrigger stabilizer system
- Vacuum drill base
- Move the entire unit from hole to hole quickly
- Vacuum base-no anchor holes to drill
- Built-in tachometer allows you to monitor your drilling RPM
- Quick connect hydraulic fittings allow for use with our Dragon Saw or hand saws
- Drill with ease without manually feeding the bit
- Shipping weight: 2000 lbs.

U.D.M.-ULTIMATE DRILLING MACHINE

Description	Part #	Cat #	List Price
Ultimate Drilling Machine-mobile core rig with electric and hydraulic supply (gas driven)	4250066	39112	\$57,418

MILWAUKEE® & CORE BORE® MOUNTED MOTORS

16" Bit Capacity



16" Bit Capacity



CB733 & CB744
Both Have Amp
Warning Lights



18" Bit Capacity



Milwaukee® Electric

- Model 4004**-(4.8 max HP) Max Bit Size: 16"
- Model 4005**-(4.8 max HP) Max Bit Size: 7"
- Model 4096**-(4.8 max HP) Max Bit Size: 10"
- Model 4097-20** (2.5 max HP) Max Bit Size: 12"
- 20 amp, 115 volt (4097 = 15 amp/120V)
- Available with or without on/off switch
- Built-in water swivel and water control valve
- 1.250"-7 threaded spindle
- Slip clutch
- Includes open end wrench

**MILWAUKEE MOTORS HAVE A
5-YEAR LIMITED WARRANTY**

Core Bore® CB733 Electric

- 20 amp, 120 volt or 230 volt
- Up to 16" bit capacity
- Built-in thermal overload protection
- Water connection for wet drilling
- Includes on/off switch/amp meter
- 1.250"-7 threaded spindle

Core Bore® CB744 Electric

- 25 amp, 115 volt
- Standard 16" capacity, 18" maximum
- Built-in LED amp meter - **no control panel needed**
- Water hose connection
- 1.250"-7 threaded spindle
- Slip clutch
- Bubble level
- Carrying handle
- Extra long cord
- Includes open end wrench

**A Control Panel is not needed
to run the CB733 or CB744**

Milwaukee® & CORE BORE® ELECTRIC DRILL MOTORS

Motor Make/Model	AMP	Loaded RPM	Part # without on/off switch	Cat # without on/off switch	List Price	Part # with on/off switch	Cat # with on/off switch	Product Weight (lbs)	List Price
Milwaukee Model 4004	20	300/600	4244032	01750	\$1,851	4244033	01751	24	\$1,956
Milwaukee Model 4096	20	450/900	4244038	01754	1,851	4244039	01755	24	1,956
Milwaukee Model 4005	20	600/1200	4244042	01758	1,851	4244043	01760	24	1,956
Milwaukee Model 4097-20	15	500/1000	4244030	01748	1,764	4244031	01749	26	1,873
Core Bore® CB733	25	345/630/1000	---	---	---	4244126	83983	28.4	1,797
Core Bore® CB744	25	225/300/565/780	---	---	---	4244125	78699	---	2,108

ELECTRIC DRILL MOTORS

WEKA® DRILL MOTORS

16" Bit Capacity

18" Bit Capacity

18" Bit Capacity



Weka Precision Laser Pointer

For use on the DK22, DK32 and DK38 models. Allows exact indication of the core center. Internal threads installs directly onto motor spindle.

SR38-18 Speed-RPM Ranges

Number of Motor Steps: 6
Number of Mechanical Gears 3

Electric Speed Step #	Mechanical Gear 1	Mechanical Gear 2	Mechanical Gear 3
1	445	880	1370
2	380	755	1180
3	320	630	980
4	260	520	810
5	220	430	670
6	180	360	560

WEKA MOTORS

Weka® DK22

Electric

- Heavy duty
- Water connection
- 1.250"-7 threaded spindle
- Recommended for bits up 1"-12" Max 16"

Weka® DK32

Electric

- Heavy duty
- Water connection
- 1.250"-7 threaded spindle
- Recommended for bits 2"-16" Max 18"

Weka® DK38

Electric

- 18 speeds
- Water connection
- 1.250"-7 threaded spindle
- Recommended for bits 1-1/2"-16" Max 18"

WEKA ELECTRIC DRILL MOTORS

Motor/Model #	AMP	No Load RPM	Loaded RPM	Part #	Cat #	Product Weight (lbs.)	List Price
WEKA DK22	23 (110V)	550/1120/1680	300/640/960	4244018	01741	31	\$2,922
WEKA DK22	11 (230V)	550/1120/1680	300/640/960	4244016	47069	31	2,922
WEKA DK22L	23 (110V)	460/940/1400	250/520/780	4244105	54872	31	2,942
WEKA DK22S	23 (110V)	800/1640/2430	420/880/1300	4244014	47828	31	2,922
WEKA DK22S	11 (230V)	800/1640/2430	420/880/1300	4244029	47070	31	2,922
WEKA DK22F*	23 (110V)	550/1120/1680	300/640/960	4244118	40586	31	2,942
WEKA DK22F*	11 (230V)	550/1120/1680	300/640/960	4244119	53300	31	2,942
WEKA DK32	30 (110V)	380/800/1200	230/480/720	4244059	46896	31	3,163
WEKA DK32	15 (230V)	380/800/1200	230/480/720	4244058	47071	31	3,163
WEKA DK32F*	30 (110V)	380/800/1200	230/480/720	4244120	56143	31	3,173
WEKA DK32F*	15 (230V)	380/800/1200	230/480/720	4244121	44292	31	3,173
WEKA SR38	16 (230V)	See chart above		4244124	68236	36	4,971

All Weka motors include on/off switch

*F series include special flange adapter for M-5 PRO only (11" maximum bit capacity)

LASER POINTER FOR WEKA MOTORS

Description	Part #	Cat #	List Price
Weka laser pointer for DK22, DK32 & DK38	2708604	59812	\$300

20" Bit Capacity



24" Bit Capacity



26" Bit Capacity



SR75S-9 Speed-RPM Ranges

Number of Motor Steps: 9
Number of Mechanical Gears 3

Electric Speed Step	Mechanical Gear 1 RPM	Mechanical Gear 2 RPM	Mechanical Gear 3 RPM
1	150	290	460
2	130	250	390
3	105	210	330

Weka® DK42

Electric

- Heavy duty
- Water connection
- 1.250"-7 threaded spindle
- Recommended for bits 3"-18" Max 20"

Weka® DK52

Electric

- Heavy duty
- Water connection
- 1.250"-7 threaded spindle
- Recommended for bits 3"-20" Max 24"

Weka® SR75S

Electric

- 9-Speed-480V, 3 phase-7500 watt
- Water cooled with water protection
- No carbon brushes and rotating windings translate into low maintenance
- 1.250"-7 threaded spindle
- Recommended for bits 5"-24" Max 26"

WEKA ELECTRIC DRILL MOTORS

Motor/Model #	AMP	No Load RPM	Loaded RPM	Part #	Cat #	Product Weight (lbs)	List Price
WEKA DK42	8.2 (460V-3PH)	200/390/620	190/410/610	4244022	01743	48	\$3,725
WEKA DK42	14.2 (230V-3PH)	200/390/620	190/410/610	4244023	01744	48	3,725
WEKA DK42S	8.2 (460V-3PH)	285/560/880	290/610/910	4244027	47641	48	3,725
WEKA DK42S	14.2 (230V-3PH)	285/560/880	290/610/910	4244024	01745	48	3,725
WEKA DK42AL	8.2 (460V-3PH)	170/330/510	130/280/430	4244066	94768	48	3,725
WEKA DK42AL	14.2 (230V-3PH)	170/330/510	130/280/430	4244056	91963	49	3,725
WEKA DK52	9 (460V-3PH)	170/340/520	150/290/440	4244060	47119	56	4,225
WEKA DK52	18 (230V-3PH)	170/340/520	150/290/440	4244061	48023	58	4,225
WEKA SR75S	14 (480V-3PH)	150/290/460 130/250/390 105/210/330	90/180/280	4244117	16537	48.5	5,995

All Weka motors include on/off switch

WEKA MOTORS

CB515 & WEKA® DK12



CB515

3" Hand-Held Bit Capacity

Electric



CB515

- 1800 Watt, 115 volt electric motor
- 2-speed gear box (1400 rpm and 2300 rpm) with slip clutch
- Side handle for stable coring
- 1.250-7 threaded spindle with 5/8"-11 adapter
- Water hose connection for wet drilling
- PRCD/GFCI Class I cord
- Works with M-4 stand and hand held motor mounts
- Top bubble level for accuracy
- **Includes:** Plastic molded carrying case, side handle, and wrench



*Includes carrying case
(not sold separately)*

CB500HH & DK12



Weka® DK12

3" Hand-Held Bit Capacity

Electric



Weka® DK12

- Thermal overload protection switch
- Side handle for stability
- Water connection for wet coring only
- 5/8"-11 or 1.250"-7 spindle
- Three speed for bits up to 3" (6" mounted)
- Includes carrying case and wrench
- Two leveling bubbles for accurate coring
- Can be used on M-3 & M-4
- **Includes:** Plastic molded carrying case, side handle, 1/2" BSP male to 5/8-11 male adapter, wrench



WEKA Case Only		
Part #	Cat #	List Price
2701483	47368	\$119

CB500HH & WEKA® HAND HELD MOTORS							
Motor/Model #	AMP	No Load RPM	Loaded RPM	Part #	Cat #	Product Weight (lbs.)	List Price
CB515	9 (115V)	1400/2300		4244128	98794	10.5	\$1,093
WEKA DK12*-Wet only	14	970/2330/4400	580/1400/2900	4244017	01738	25	2,181
WEKA DK12*-Wet only	7 (230V)	970/2330/4400	580/1400/2900	4244013	54212	25	2,181

WEKA® DK13 & WEKA® DK16



WEKA Case Only		
Part #	Cat #	List Price
2701483	47368	\$116

3" Hand-Held Bit Capacity

Electric

Weka® DK13

- Thermal overload protection switch
- Side handle for stability
- Dust port and water connection for wet or dry coring
- 5/8"-11 or 1.250"-7 spindle
- Three speed for bits up to 3" (6" mounted)
- Includes carrying case and wrench
- Two leveling bubbles for accurate coring
- Can be used on M-3 & M-4
- Includes: Plastic molded carrying case, side handle, 1/2" BSP male to 5/8-11 male adapter, wrench



Weka® DK13

Wet and Dry Connections

3" Hand-Held Bit Capacity

Electric

Weka® DK16

- Electronic overload system
- Two leveling bubbles for accurate coring
- Side handle for stability
- Water connection for wet coring only
- 5/8"-11 or 1.250"-7 spindle
- Three speed for bits up to 3"
- Two leveling bubbles for accurate coring
- Includes: Plastic molded carrying case, side handle, 1/2" BSP male to 5/8-11 male adapter, wrench



Weka® DK16

WEKA DK13 & DK16

WEKA® HAND HELD MOTORS							
Motor/Model #	AMP	No Load RPM	Loaded RPM	Part #	Cat #	Product Weight (lbs.)	List Price
WEKA DK13*-Wet or Dry	14	970/2300/4400	580/1400/2900	4244062	47055	25	\$2,395
WEKA DK16	19 (110V)	970/2300/4400	580/1400/2900	4244067	93678	23	2,395

CORE BIT ADAPTERS



CORE BIT ADAPTERS

Description	Top Thread	Bottom Thread Male	Part #	Cat #	Weight (lbs.)	List Price
1015	1.250"-7 Female	5/8"-11	4400008	01878	2 lbs.	\$50
1015-B	1.250"-7 Female	5/8"-11 Bolt *	4400162	47697	2	60
1510	5/8"-11 Female	1.250"-7	4400009	01880	2	31
1016	1.250"-7 Female	5/8"-18	4400010	01881	2	130
1020	1/2"-20 Female	5/8"-11	4400011	01882	2	140
DK13-DVH	1.250"-7 Female	1.250"-12	4400320	75698	2	57
Bantum-15	Bantum Female	5/8"-11	4400012	01883	2	36
Bantum-15	Bantum Female	1.250"-7	4400051	01911	2	40
Morse #2	#2 Morse Taper Male	5/8"-11	4400068	01920	2	50
Morse #3	#3 Morse Taper Male	5/8"-11	4400061	01917	2	58
Morse #4	#4 Morse Taper Male	5/8"-11	4400062	01918	2	74
Morse #5	#5 Morse Taper Male	5/8"-11	4400063	79291	2	93
3/8" S.S.	3/8" Straight Shank Male	5/8"-11	4400056	01913	1	13
1/2" S.S.	1/2" Straight Shank Male	5/8"-11	4400033	01899	2	24
5/8" S.S.	5/8" Straight Shank Male	5/8"-11	4400087	01936	1	13
1/2" British standard piping [∞]	1/2" BSP Male	5/8"-11	4400037	01905	2	28
1/2" British standard piping [∞]	1/2" BSP Male	1.250"-7	4400036	01903	2	50
Large thread reducer	1.875"-7 Female	1.250"-7	4400121	01949	5	162
Large thread adapter	1.250"-7 Female	1.875"-7	4400134	01956	5	127

* Male bottom thread is a replaceable grade 8, 5/8"-11 bolt with water way
[∞] For use on Weka motors

5/8"-11 bolt with water way		
Part #	Cat #	List Price
4400163	53577	\$16

Standard core bits have the following threaded hub sizes:
 1-1/2" and under (bit diameter) = 5/8"-11 thread
 (5/8" diameter, 11 threads per inch)
 1-5/8" and up (bit diameter) = 1-250"-7 thread
 (1-1/4" diameter, 7 threads per inch)

ADAPTERS

CORE BIT ADAPTERS COMPETITION STYLE



Part # 4400332



Part # 4400333



Part # 4699992



Part # 4699974



Part # 4699973

CORE BIT ADAPTERS - Competition Style						
Compatible Motor*	Top Thread	Bottom Thread Male	Part #	Cat #	Weight (lbs)	List Price
DD100, DD200, DD130 with BI+ connection	Hilti® Quick Disconnect 6-Slot	1.250"-7	4400332	90755	2	\$73
DD100, DD200, DD130 with BI+ connection	Hilti® Quick Disconnect 6-Slot	5/8"-11	4400333	90754	2	41
DD200	Spline	1.250"-7	4699992	49654	2	450
DD250, DD160, DCM1.5 with BU connection	5/8"-11 Male	Hilti Spline	4699974	66435	2	334
DD250, DD160, DCM1.5 with BU connection	1.250"-7 Male	Hilti Spline	4699973	64011	2	286
Hilti® Core Bit	1.250"-7 Female	Hilti Quick Disconnect	4400584	40661	3	413

These adapters for use on Hilti® machines to connect to standard 1-1/4-7 or 5/8-11 threaded bit hubs. Hilti® is a registered trademark of the Hilti® Corporation and is not affiliated with Diamond Products Limited.



Part # 4400584, Cat # 40661
Quick Disconnect for use on 4400332 & 4400333 Adapters

Quick Disconnect Hilti® Bit



Hilti® QD to Weka® Motor Mount		
Part #	Cat #	List Price
4648065	88660	\$109

Hilti® is a copyright of Hilti Corporation and is in no way affiliated with Diamond Products Limited

ADAPTERS

DRILL RIG COLUMNS

DRILL RIG COLUMNS (MASTS)

Description	Part #	Cat #	Shipping Weight (lbs.)	List Price
M-1-2-1/2" square x 36" long	4645084	02120	14	\$216
M-1-2-1/2" square x 42" long	4645015	02079	16	250
M-1-2-1/2" square x 48" long	4645081	02116	18	285
M-1-2-1/2" square x 60" long	4645082	02117	23	340
M-1-2-1/2" square x 72" long	4645083	02119	27	410
M-1 ANGLE 2-1/2" square x 36-3/4" long	4645070	02106	14	226
M-1 ANGLE 2-1/2" square x 42" long	4645068	02104	16	261
M-1 ANGLE 2-1/2" square x 48" long	4645086	54972	18	293
M-1 ANGLE 2-1/2" square x 60" long	4645085	61782	23	347
M-2-2-7/8" square x 36" long	4641003	02006	24	375
M-2-2-7/8" square x 42" long	4641002	02004	28	438
M-2-2-7/8" square x 48" long	4641078	02036	32	501
M-2-2-7/8" square x 60" long	4641079	02037	40	627
M-2-2-7/8" square x 72" long	4641080	02038	48	755
M-2-2-7/8" square x 84" long	4641084	52242	56	874
M-2-2-7/8" square x 96" long	4641082	02039	64	1,069
M-2-2-7/8" square x 108" long	4641083	02040	72	1,205
M-2-2-7/8" square x 120" long	4644120	54847	80	1,340
M-2 ANGLE 2-7/8" square x 36" long	4641089	02043	24	385
M-2 ANGLE 2-7/8" square x 42" long	4641068	02028	28	445
M-2 ANGLE 2-7/8" square x 48" long	4641091	51671	32	509
M-2 ANGLE 2-7/8" square x 60" long	4641086	52192	40	632
M-2 ANGLE 2-7/8" square x 72" long	4641087	51883	48	759
M-3 STAIR 1-1/2" square x 25" long	4643001	59189	7	198
M-3 STAIR 1-1/2" square x 33" long	4643037	02061	9	219
M-3 STAIR 1-1/2" square x 37" long	4643033	52857	11	243
M-3 STAIR 1-1/2" square x 41" long	4643034	02058	13	274
M-3 STAIR 1-1/2" square x 47" long	4643032	02057	15	295
M-3 ANCHOR 1-1/2" square x 34" long	4643002	02044	9	180
M-3 ANCHOR 1-1/2" square x 38" long	4643006	02047	10	198
M-3 ANCHOR 1-1/2" square x 42" long	4699923	54392	11	219
M-4-1-5/8" x 2" x 30" long	4600007	01990	4	202
M-4-1-5/8" x 2" x 42" long	4600034	51129	6	269
M-4 Anchor/Swivel 1-5/8" x 2" x 30" long	4600042	49017	4	210
M-4 Anchor/Swivel 1-5/8" x 2" x 42" long	4600047	47722	6	277
M-5 2-1/2" x 3" x 32" long	4600122	74431	9	376
M-5 2-1/2" x 3" x 40" long	4600106	49519	11	437
M-5 2-1/2" x 3" x 50" long	4600134	51415	14	501
M-5 2-1/2" x 3" x 60" long	4600123	88812	17	628
M-5 ANCHOR 2-1/2" x 3" x 40" long	4600115	49695	11	437
M-5 ANCHOR 2-1/2" x 3" x 50" long	4600135	51725	14	501
M-5 ANCHOR 2-1/2" x 3" x 60" long	4600127	58986	17	628
M-6-3-7/8" x 5-7/8" x 72" long	4640000	47837	84	1,519
M-6-3-7/8" x 5-7/8" x 96" long	4640042	52380	94	1,964
M-6-3-7/8" x 5-7/8" x 120" long	4640063	55510	104	2,411



Huge selection of columns (masts) in lengths up to 120"

Use custom size masts to build your core rig the way you want

RIG COLUMNS

CORE BIT EXTENSIONS

HAVE A SPECIAL APPLICATION? WE MAKE CUSTOM EXTENSION RODS TO HANDLE YOUR NEEDS QUICKLY!



4" Length



6" Length



12" Length



24" Length

EXTENSIONS

CORE BIT EXTENSION RODS							
Length	Description	Fits Bit Size	Thread	Part #	Cat #	Weight (lbs.)	List Price
4"	125-4	1-5/8" & up	1.250"-7	4400001	01863	5 lbs.	\$60
4"	125-4-S water sprayer	1-5/8" & up	1.250"-7	4400002	01864	5	84
6"	120-6	up to 1-1/2"	5/8"-11	4400003 *	01866	5	54
6"	120-6	up to 1-1/2"	7/8" O.D.	4400166	55999	6	61
6"	125-6	1-5/8" & up	1.250"-7	4400004	01869	7	73
12"	120-12	up to 1-1/2"	5/8"-11	4400005 *	01870	8	74
12"	120-12	up to 1-1/2"	7/8" O.D.	4400167	55696	9	110
12"	125-12	1-5/8" & up	1.250"-7	4400006	01873	10	79
24"	125-24	1-5/8" & up	1.250"-7	4400042	01909	15	138
36"	125-36	1-5/8" & up	1.250"-7	4400007	01877	20	212
48"	125-48	1-5/8" & up	1.250"-7	4400024	01897	25	238
6"	187-6	Optional large bits	1.875"-7	4400141	01962	7	98
12"	187-12	Optional large bits	1.875"-7	4400113	01945	15	147

*Extensions also fit dry hole saw and thinwall core bits

NWJ LARGE THREAD ADAPTER & EXTENSIONS			
Description	Part #	Cat #	List Price
5' drill extension with NWJ threads	4400322	77369	\$681
NWJ Male-1.250"-7 Female adapter	4400323	77368	530
Male 1.250"-7- NWJ Female adapter	4400324	77703	530
NWJ Male- 1.875"-7 Female adapter	4400325	78493	530
Male 1.875"-7-NWJ Female adapter	4400326	78494	530

NWJ threads have a large thread pitch that make it easy to unscrew the core bit and/or other extensions



DRILLING ACCESSORIES



Single Switch Control Panel

With amp meter, dual outlet-single switch control both gauge max at: 15, 18 or 20 amp
Part # 4277537 (115V)
Part # 4277538 (230V)



Dual Switch Control Panel

With amp meter, dual outlet two switches to control each outlet, gauge max at: 15, 18 or 20 amp
Part # 4243000 (115V)
Part # 4243075 (230V)



Digital Dual Switch Control Panel

With amp meter, dual outlet two switches to control each outlet, gauge max at: 15, 18 or 20 amp
Part # 4243012 (115V)



DK42 Control Panel

With amp meter, volt meter, motor reversing switch, vacuum pump switch, single and three phase outlets
Part # 4243006 (220V)



Heavy Duty On/Off Switch

Used on Core Bore and Milwaukee motors
Part # 4244021 (115V)
Part # 4243021 (230V)



EDI Control Panel Dual Switch/Outlet



Vacuum Pump with fittings and integrated on/off switch

CONTROL PANELS/AMP METERS

Description	Voltage	Part #	Cat #	Weight (lbs)	List Price
Dual Switch/Dual Outlet	115V	4243000	01724	5	\$328
Dual Switch/Dual Outlet	230V	4243075	01729	5	387
Single Switch/Dual Outlet	115V	4277537	01851	4	277
Single Switch/Dual Outlet	230V	4277538	01852	4	330
EDI Control Panel Dual Switch/Outlet	115V	4243002	84961	5	442
Heavy Duty On/Off Switch	115V	4244021	01742	2	91
Heavy Duty On/Off Switch	230V	4243021	56316	2	191
Single On/Off Switch (for Milwaukee motors)	115V	4277583	17617	2	416
Dual Switch/Dual Outlet (for Milwaukee motors)	115V	4277582	47203	5	460
Dual Switch/Outlet for Weka DK22&DK32	115V	4277594	03325	5	596
Dual Switch/Outlet for Weka DK22&DK32	230V	4277595	84217	5	466
Control Panel 1 & 3 Phase for Weka DK42	220V	4243006	01726	5	614
Digital Dual Switch Control Panel	115V	4243012	37464	6	465
Single Switch Control Panel Bracket Kit for M-1/M-2	---	4699968	49262	1	41
M-2 Bracket Kit for Single Switch Control Panel to M-2 Roller Carriage	---	4699981	69502	2	25
EZ Cord Adapter - 30amp twist lock to 15 amp straight male end	115V	4699131	94366	1	36

ACCESSORIES



EZ Cord Adapter

12" long cord for use on CB744, Weka DK32 (110V) Core Drills and C16 Electric Saw.
 12AWG - 115V30 Amp to 15 Amp
Part # 4699131

VACUUM PUMPS

Description	Voltage	Part #	Cat #	Weight (lbs)	List Price
Gast 1/8 HP, 24hg, vacuum pump with fittings-M-1/M-2*	115V	4244075	01767	9	\$414
Gast 1/8 HP, 24hg vacuum pump with fittings-M-1/M-2	230V	4244076	01769	9	500
Gast 1/8 HP, 24hg vacuum pump with fittings-M-3/M-4*	115V	4244077	01770	9	454
Gast 1/8 HP, 24hg vacuum pump with fittings-M-3/M-4	230V	4244079	01772	9	535
Gast 1/8 HP, 24hg vacuum pump without fittings	115V	2600016	00443	8	414
Gast 1/8 HP, 24hg vacuum pump without fittings	230V	2600017	56522	8	468
Gast 1/8 HP, 24hg vacuum pump with fittings for A.P.V. base	115V	4244078	01771	9	418
Gast 1/8 HP, 24hg vacuum pump with fittings for A.P.V. base	230V	4244080	80355	9	521
Gast 1/8 HP, 24hg vacuum pump with fittings-M-5*	115V	4244090	46895	9	437
Gast 1/8 HP, 24hg vacuum pump with fittings-M-5	230V	4244091	51410	9	522
Vacuum pump cord-100ft, 12 gauge-125V with 15 amp connectors	125V	4699104	15914	15	527

*Includes integrated on/off switch

DRILLING ACCESSORIES



**Water Swivel
375 HD**
5/8"-11 female to
5/8"-11 male
Part # 4400014



**Water Swivel
750 HD**
5/8"-11 female to
1.250"-7 male
Part # 4400013



**Air Vacuum
Swivel**
5/8"-11 female to
1.250"-12 male for
DVH bits
Part # 4600125



**M-4 Motor Mount
Clamp Assembly**
Allows you to mount the DK12
or DK13 on the M-4
(60mm hole)
Part # 4600003



M-6 Spacer Block
Allows larger diameter bits to be
used on rig. See below for other
rig spacer blocks
Part # 4640026



**M-2 Roller
Carriage**
Adjustable with
heavy duty rollers
Part # 4277531



**M-2 Dovetail
Motor Mount Quick
Disconnect**
Removes motor quickly
Part # 4648007



**M-5 Style Quick
Disconnect
for M-1 & M-2**
Allows use of Outriggers
Part # 4699961



**7"-M-5 PRO
Outrigger**
For the fastest disconnect that
adds 7" of drilling diameter
Part # 4400252



**10"-M-5 PRO
Outrigger**
For the fastest disconnect that
adds 10" of drilling diameter
Part # 4400253

MOTOR MOUNTS AND DISCONNECTS

Description	Part #	Cat #	Weight (lbs)	List Price
M-1/M-3 Dovetail Motor Mount Quick Disconnect	4648010	02150	5	\$177
M-2 Dovetail Motor Mount Quick Disconnect	4648007	02147	5	181
M-2 Carriage to M-1/M-3 Motor Mount Assembly	4641131	85316	5	73
M-4 Motor Mount Clamp Assembly for Weka Motors	4600003	01987	5	76
M-4 Motor Mount Assembly for Milwaukee Motors	4600029	02001	5	148
M-5 Style Quick Disconnect for M-1 and M-2 (allows use of Outrigger)	4699961	46830	10	408
M-5 PRO Quick Disconnect Outrigger Assembly (adds 7" of drilling diameter)	4400252	38766	10	302
M-5 PRO Quick Disconnect Outrigger Assembly (add 10" of drilling diameter)	4400253	38767	10	325
M-5 Quick Disconnect Outrigger 7" Extension Assembly	4400312	84939	10	290
M-5 Quick Disconnect Outrigger 10" Extension Assembly	4400313	47129	12	315
Weka to M-2 motor mount assembly (DK22 or larger)	4648033	02161	8	96
Weka and CB700 to M-1/M-3 motor mount assembly (on Weka-DK22 or larger)	4648031	02160	8	81
M-1/M-2/M3 motor mount assembly for Milwaukee motors	4648029	02159	10	139
Weka hand held to M-1/M-3 motor mount assembly	4648004	02144	8	155
M-1 dovetail motor mount up-grade	4245000	51676	4	104
M-2 dovetail motor mount up-grade	4242000	01723	4	142

WATER AND VACUUM SWIVELS

Water Swivel 1.250"-7 Female to 1.250"-7 Male	4400186	53840	10	\$499
Water Swivel 750 HD 5/8"-11 Female to 1.250"-7 Male	4400013	01884	10	264
Water Swivel 750 HD 5/8"-16 Female to 1.250"-7 Male	4400304	01980	10	264
Water Swivel 375 HD 5/8"-11 Female to 5/8"-11 Male	4400014	01885	10	254
Water Swivel 375 HD 5/8"-16 Female to 5/8"-11 Male	4400303	01979	10	254
Air Vacuum Swivel-5/8"-11 Female to 1.250"-12 Male	4400125	01950	10	295
Air Vacuum Swivel 5/8"-16 Female to 1.250"-12 Male	4400302	58733	10	309
1-1/4"-7F 1.250"-12M Threaded Adapter for Use on the WEKA DK13 Motor	4400320	75698	3	57

ROLLER CARRIAGES

M-2 Roller Carriage Assembly	4277531	01844	15	\$1,024
M-2 Roller Carriage Assembly for Autofeed System (gear box not included)	4277593	02370	10	785
Gear Box/Carriage Only for M-2 Roller Carriage for Autofeed System	4277598	16635	12	2,014

SPACER BLOCKS

M-1 (2") Spacer Block (adds 4" of drilling capacity)	4400072	01924	5	\$103
M-2 (2") Spacer Block (adds 4" of drilling capacity)	4400073	01926	5	136
M-5 Spacer Block (for electric drill motors only) up to 20" capacity	4600136	47118	15	235
M-6 Spacer Block (up to 36" capacity) 9.5"	4640026	47072	22	158
M-6 Spacer Block (up to 48" capacity) 15.5"	4640025	47073	30	173

DUST CONTROL ACCESSORIES

BIT BANDIT

For Dust Removal



BIT BANDIT

- Installs in seconds
- 1-1/4" vacuum port
- Clear polycarbonate for visible coring
- Heavy duty, flexible material to withstand rugged job sites

BIT BANDIT FOR DUST REMOVAL

Description	Part #	Cat #	List Price
Bit Bandit for 1" to 4" diameter bits	2508102	92859	\$45
Bit Bandit for 2" to 8" diameter bits	2508103	92819	57

DUST BANDITS

CUP BANDIT

For Dust Removal



CUP BANDIT

- Rubber collar allows movement with the tool and fits any grinder
- Clear polycarbonate for visible grinding
- Fits 3 size vacuum ports: 1-1/4", 2" & 2-1/4"
- Removable edge to allow grinding against a wall
- Heavy duty material to withstand rugged job sites

CUP BANDIT FOR DUST REMOVAL

Description	Part #	Cat #	List Price
Cup Bandit for 5" cup grinders	2508100	93507	\$76
Cup Bandit for 7" cup grinders	2508101	93684	80

CORE VAC

Part of the Core Vac product line for dust removal

DUST CONTROL ACCESSORIES

BLADE BANDIT

For Dust Removal



Includes shaft adapter and collar bushings

BLADE BANDIT

- Installs on most side grinders
- For use with diamond blade, tuck point blade or V-crack blades
- 1-1/2" vacuum port
- Visible depth adjustment
- Clear polycarbonate for visible cutting
- Heavy duty, flexible material to withstand rugged job sites

BLADE BANDIT FOR DUST REMOVAL			
Description	Part #	Cat #	List Price
Blade Bandit for 5" blades	2508106	77540	\$204
Blade Bandit for 7" blades	2508107	77617	241

Helps bypass special proprietary quick disconnect vacuum hoses. Fits and adapts to almost any vacuum hose!



Core Vac Multi-Hose Adapter

- Inside diameters: 1.250", 1.5" & 2.5"
- Outside diameters: 1", 1.250" & 2"

18" Core Vac Adapter Hose

- 1.250" & 2.5"
- Great for use with the Bit Bandit



CORE VAC ACCESSORIES			
Description	Part #	Cat #	List Price
Core Vac Multi-Hose Adapter	2508104	31810	\$14
18" Core Vac Adapter Hose	2507000	35545	36



Part of the Core Vac product line for dust removal

CORE VAC ACCESSORIES

CORE VAC CV258 VACUUMS



**CV258C
Can Style
Model**



CV258 Vacuums

Electric

- 2" hose diameter
- 2 motors
- Self-cleaning patented filtration system
- Hepa filters
- Solid steel construction

CV258 SPECIFICATIONS

Vacuum Hoses	
Power	120V, 2700 Watt
Compressor	258 CFM
Filtration	Self-cleaning

CORE VAC CV258 DUST CONTAINMENT VACUUMS

Description	Part #	Cat #	List Price
CV258C Dust Control Vacuum (Can Style)	4244130	83166	\$3,048
CV258B Dust Control Vacuum (Bag Style)	4244131	83263	4,798
Bag Liner (continuous) for CV258B	4600172	84935	88

HEPA FILTERS

**CV258B
Bag Style
Model**



CORE VAC

Part of the Core Vac product line for dust removal

CORE VAC CV1900 VACUUM



CV1900 Vacuum

Gasoline

- Designed for the contractor who requires a large amount of dust containment.
- Two primary filters that are pulsed clean every 6 seconds with a reversed charge of compressed air; ensuring a continuous vacuum.
- The easy to use bolt down strap makes the vacuum usable with any 30 gallon drum
- Heavy duty casters allow for easy mobility for dumping and transportation
- Offers a 5" hose allowing larger air volume and two additional 2" hose inlets for smaller tools
- Less filter cleaning and adaptability to all shrouded equipment

CV1900 SPECIFICATIONS	
Vacuum Hoses	5" x 15' standard with quick-release clamps
Compressor	2.5 CFM air cooled
Filtration	Special pleated cartridge
Wheels	Two 5" 200lb rubber
	Two 5" 200lb swivel caster
Height	59" (150cm)
Length	34-1/2" (88cm)
Width	28" (71cm)
Weight	375 lbs. (170kg)

Vacuum Chart

Port Size	CFM	Inch Lift
1 - 5"	1105	3.0
2 - 2"		5.0

All testing has been completed in a controlled environment using an air velocity meter and a mechanical gauge measured at the neck of each vacuum. These figures should be used as a reference only.



Crank to raise and lower collector drum

For Use on the
CC190PRO-EE
First-Cut Early
Entry Saws



CV1900 VACUUM

HEPA FILTERS

CORE VAC CV1900 DUST CONTAINMENT VACUUM

Description	Part #	Cat #	List Price
CV1900 gas vacuum for CC190PRO-EE with hoses - dry only	2505723	82095	\$14,832
Vacuum side cover plate attachment for CC190PRO-EE	2708358	80580	376
Vacuum adapter 3" to 5"	2504846	82102	205
HEPA Filter (requires 2 for CV1900)	2505797	40141	275
6 Mil Bag Liner (50 bags) for CV1900	2506170	83300	376



Part of the Core Vac product line for dust removal

DRILLING ACCESSORIES



Spindle Wrench for Core Bore and Milwaukee Motors
Part # 2400010



Electric Cords with Twist Lock Plug to Straight Plugs



Core Bore Stop Box

Shuts off the electricity to the motor(s) if the core bit hits grounded metal.

Part # 4243050 (115V for 15 amp use)

Part # 4243051 (115 V for 20 amp use)

ACCESSORIES

CORING ACCESSORIES

Description	Part #	Cat #	Weight (lbs.)	List Price
1-3/8" Spindle Wrench for Core Bore & Milwaukee Motors	2400010	00201	5	\$54
1-1/4" Spindle Wrench for WEKA motors	2400015	00206	5	93
Electric Cord-50ft, 12GA, 115V, 20amp Twist to 15amp Straight *	4699100	47884	13	332
Electric Cord-100ft, 12GA, 115V, 20amp Twist to 15amp Straight *	4699101	48548	25	526
Electric Cord-50ft, 10GA, 115V, 30amp Twist to 15amp Straight **	4699102	47005	16	339
Electric Cord-100ft, 10GA, 115V, 30amp Twist to 15amp Straight **	4699103	47987	31	530
DK42 cord-100ft-12 gauge, 250V, 20amp	4699105	49828	5	448
Power Splitter Sidewinder-230V-2(110V) outlets	2800379	52225	22	960
Core Bore Stop Box-115V-for 15 amp use	4243050	01728	10	1,334
Core Bore Stop Box-115V-for 20 amp use	4243051	22092	10	1,353
DK42 Control Panel Supplies 230V current at 1 and 3 phase	4243006	01726	25	614
DK42 Phase converter 1 phase 230V to 3 phase 230V	4243010	01727	45	4,005

* For heavy duty on/off switch. ** For single and dual switch control panels

DRILLING ACCESSORIES



Hole Roughner Tool

Adapter with welded spiked tool for creating a rough surface in a core hole. Useful for providing better adhesion of epoxy anchor systems inside the hole. The spiked end is made up of 6 carbide tips. Includes 1.250"-7 adapter (welded) Ask about sizes not listed.



20" Standard Length Cable

Core Catcher Assembly

Attaches to spindle on the top end and an eye-bolt is anchored into the core. The cable is attached to the eye-bolt or hook. Includes: Spindle adapter and catcher cable 8" OD x 10" core maximum or 10" OD x 6" core maximum-Cat # 78095



The Extractor Core Retrieval Tool

The cable is inserted down the sides of the core. The cable clings to the core as the rings are pulled by hand or lifted by other means. 8" core maximum. Cat # 26386

CORING ACCESSORIES				
Description	Part #	Cat #	Weight (lbs.)	List Price
1-7/8" Carbide Hole Roughner with (6) .375" tips	CB1875HR	77440	6	\$1,728
2" Carbide Hole Roughner with (6) .375" tips	CB2000HR	27398	8	1,778
3" Carbide Hole Roughner with (6) .375" tips	CB3000HR	28447	10	1,839
4" Carbide Hole Roughner with (6) .625" tips	CB4000HR	28448	12	1,935
5" Carbide Hole Roughner with (6) .625" tips	CB5000HR	26522	14	1,956
CORE REMOVAL				
Core Catcher Assembly Complete	4400327	78095	8	\$271
The Extractor-Core Retrieval Tool	2401000	26386	1	52

DRILLING ACCESSORIES



M-2 Autofeed Control System

- Automatically runs your M-2 core rig
- Enables the operator to use several core drills at the same time
- Extremely efficient serial drilling-saves labor especially in hard aggregate
- The unit keeps the motor load at the preset value (17 to 24 amps at 115V; 10 to 15 amps at 230V)
- For use on Weka DK22 through DK32, CB748 and all Milwaukee drill motors
- Autofeed unit consists of control unit and a 2:1 gear box with roller carriage only



AUTOFEED CONTROL SYSTEMS				
Description	Part #	Cat #	Weight (lbs.)	List Price
Autofeed Complete with M2 Roller Carriage 115V/30 Amp	5801228	24135	10	\$6,158
Autofeed Complete with M2 Roller Carriage 230V/15 Amp	5800661	91154	10	5,315
M-2 Autofeed Control 115V/30 Amp (without M2 carriage)	5800715	75649	20	5,346
M-2 Autofeed Control 230V/15 Amp (without M2 carriage)	5800503	48563	12	4,503

ACCESSORIES



PIPE MOUNT SYSTEM

- Works with any Core Bore rig
- Can be used on any size pipe
- Includes base plate, tie-down strap and hardware
- Bit capacity depends on rig being used

PIPE MOUNT				
Description	Part #	Cat #	Weight (lbs.)	List Price
Pipe Mount Assembly (Specify Core Rig Model)	4400509	64823	10	\$332

DRILLING ACCESSORIES



Blade Measuring Gauge

Dial or Digital available: indicates the wear on a diamond blade.

Great for measuring rental blades.

Part # 4400208 (Micrometer), Part # 4400209 (Digital)



Bit Wear Measuring Adapter Kit

Attaches to the Blade Measuring Gauge to measure core bit wear.

Part # 4400218



Vacuum Plate with Wheels

All purpose vacuum base (A.P.V.) that turns your small anchor base into a vacuum base. Up to 6" diameter core bits accepted. Includes: base, vacuum mount, wheel kit and vacuum gasket.

Part # 4247075



Bit Sharpening Pot

Plastic bucket that includes a cast iron plate and #60 aluminum oxide sand for sharpening dull core bits. The sand acts as an abrasive to expose the diamonds in the segments.

Part # 4400022



Bit Roller Assembly
with ball bearings.
Part # 4600300



Super Nut
Used with drop-in anchors to quickly anchor a rig.
Part # 4400069 (3/8"-16)
Part # 4400070 (1/2"-13)
Part # 4400071 (5/8"-11)



Super Bit Spacer (metal)
Makes it easier to remove bits from the spindle.
Part # 4600502



Vacuum Gaskets
Rubber gasket that ensures a positive suction on flat surfaces. Keeps the rig in place.
All rig models available

MISC ACCESSORIES

Description	Part #	Cat #	Weight (lbs)	List Price
Blade Measuring Gauge with Digital Micrometer	4400208	01972	12	\$553
Blade Measuring Gauge with Dial Indicator	4400209	01973	12	267
Bit Wear Measuring Adapter Kit (attaches to Blade Gauge)	4400218	01974	12	89
Vacuum Plate with Wheels (fits any small anchor base)	4247075	01818	18	461
Bit Lifting Eye 1.875"-7 Thread Assembly	4400223	64228	2	325
Bit Lifting Eye 1.250"-7 Thread Assembly	2400190	58593	1	125
Sharpening Pot and Sand (to sharpen core bits)	4400022	01895	25	176
Segment Brazing Tool	4400023	01896	1.7	149
Ceiling Jack for M-1, M-3 & M-5 rigs	4645016	02080	3	69

DRILL MOTOR & SPINDLE ACCESSORIES

Bit Roller Assembly	4600300	12624	1	\$106
3/8"-16 Super Nut	4400069	01921	1	39
1/2"-13 Super Nut	4400070	01922	1	39
5/8"-11 Super Nut	4400071	01923	1	39
Plastic Bit Washer 1-1/4"	1400030	00034	0.1	4
Plastic Bit Washer 1-7/8"	1400185	50811	0.1	4
Copper Bit Washer 1-1/4"	2701563	47477	0.1	11
Super Bit Spacer (metal) 1-1/4"	4600502	47552	0.2	50

VACUUM BASE GASKETS

Vacuum gasket for M-1 vacuum base-50" long (glued)	4645020	02083	.1	\$36
Vacuum gasket for M-2 vacuum base-50" long (glued)	4641024	02022	.1	36
Vacuum gasket for M-3 vacuum base-30-1/2" long (glued)	4643040	02064	.1	22
Vacuum gasket for M-4 vacuum base-38" long (glued)	4600016	01995	.1	25
Vacuum gasket for M-5 vacuum base-46" long (glued)	4600132	47445	.1	31
Vacuum gasket for APV base-48-1/2" long (glued)	4643027	02055	.1	35

ANCHORS & SETTING TOOLS

1/2" Anchors (box of 50)	ANCHOR-1/2	46822	4	\$74
3/8" Anchors (box of 50)	ANCHOR-3/8	46857	4	49
1/2" Setting Tool	SETTINGTOOL-1/2	46823	.5	26
3/8" Setting Tool	SETTINGTOOL-3/8	74846	.5	23

DRILLING ACCESSORIES



E-400F Water Pressure Tank with Fittings
 Available without fittings. Heavy duty model for Weka motors available. For dust suppression, not wet core drilling.
 (3.5 Gallon Capacity)
Part # 4400021 (with fittings)
Part # 2600042 (w/o fittings)



Telescoping Trap Ring
 Spring loaded trap ring that allows you to core small holes while keeping the trap ring around the bit
 (Max. 1-3/8" Diameter Core Bit)
Part # 2600350 (7" stroke)
Part # 2600359 (17" stroke)



Trap Rings
 Helps keep water and slurry contained.
 (Different versions for M-1, M-2 and M-4 rigs)
 (Max. 3" Diameter Core Bit)
Various sizes available

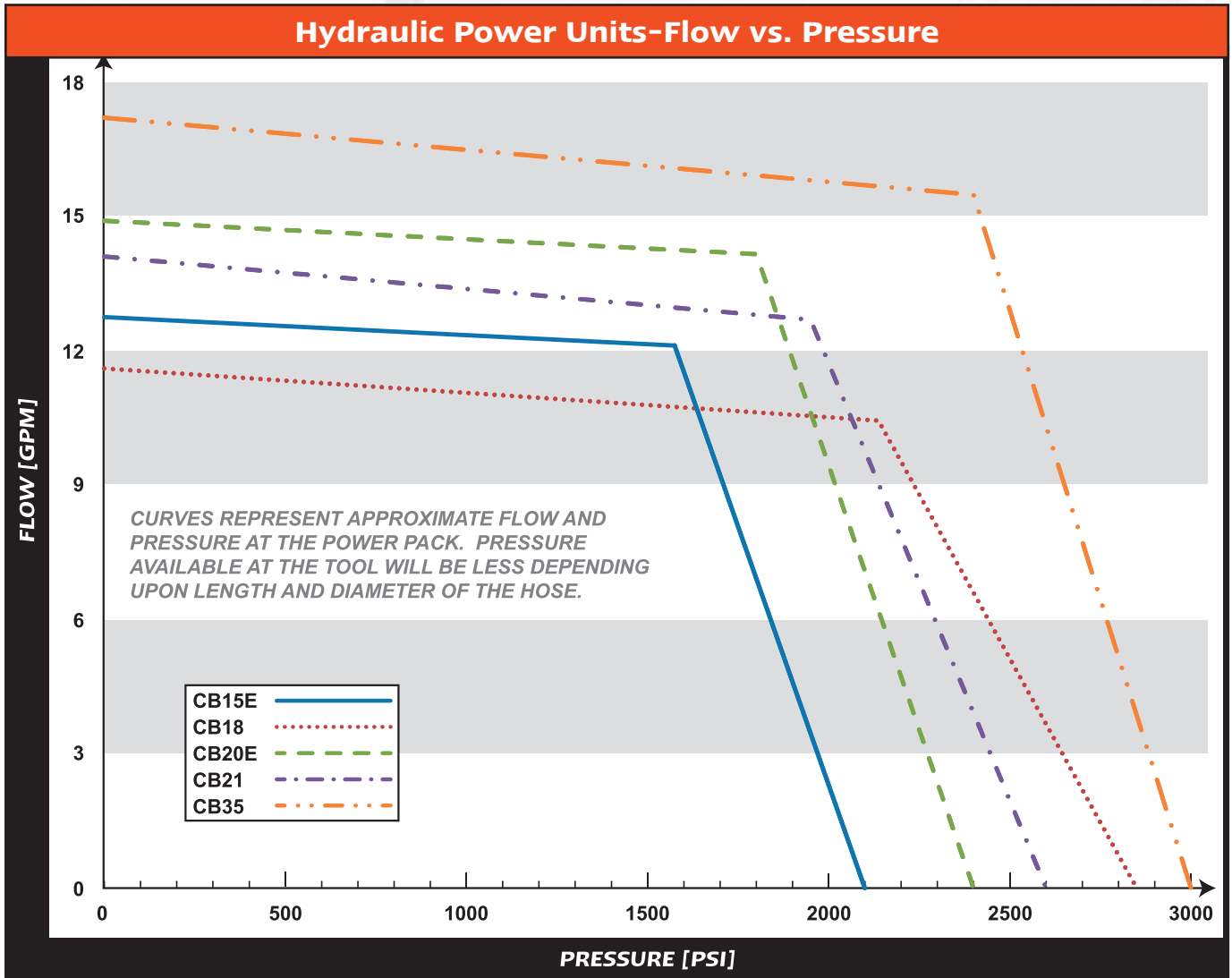


E-350 Water Collector Ring with Teel Pump
 Helps keep water and slurry contained.
 (Max. 8" Diameter Core Bit)
Part # 4400015 (115V)
Part # 4400201 (230V)

WATER PRESSURE TANK				
Description	Part #	Cat #	Weight (lbs)	List Price
E-400F Water Pressure Tank with Fittings	4400021	01894	5.	\$187
E-400 Water Pressure Tank without Fittings	2600042	00452	5	136
E-400F HD Water Pressure Tank with Fitting (for Weka Motors)	4400526	15800	5	192
TRAP RINGS				
Maximum 1-3/8" Diameter Core Bit				
Trap ring with 7" stroke for Weka DK11/DK12/DK13/DK16	2600350	83907	5	\$231
Trap ring with 17" stroke for Weka DK11/DK12/DK13/DK16	2600359	79765	5	321
Maximum 3" Diameter Core Bit				
Trap Ring for M-1 Rig	4640095	94233	2	\$334
Trap Ring for M-2 Rig	4640096	94234	2	349
Trap Ring for M-4 Rig	4645103	92832	2	404
Maximum 6" Diameter Core Bit				
Trap Ring with 1-1/2" Hose Adapter for M-1	4648057	79513	2	\$170
Trap Ring with 1-1/2" Hose Adapter for M-2	4648058	82178	2	170
Maximum 8" Diameter Core Bit				
E-150 Trap Ring Only	4400016	01887	5	\$96
E-300 Dry Trap Ring for Dry Drilling	4400018	01891	8	148
Wet/Dry Vacuum Hose Adapter	4400017	01889	1	56
E-350 Water Collector Ring and Teel Pump (115V)	4400015	01886	10	228
E-350 Water Collector Ring and Teel Pump (230V)	4400201	01969	10	245
Teel Pump (115V) for Trap Rings	4400264	96860	5	134
Teel Pump (230V) for Trap Rings	4400101	01940	5	151

ACCESSORIES

HYDRAULIC PUMP INFO



HYDRAULIC INFO

Hydraulic Pump Information

Safety information:

- Check hydraulic fluid level
- Confirm that hoses and fittings are secure
- Make sure all hoses are connected for correct flow direction to and from the tool being used
- Do not inspect hoses and fitting for leaks by using bare hands
- Always wear personal protective equipment when running machinery

HYDRAULIC PUMP UNITS



CB15EXL

Electric

- 15 HP electric motor
- Adjustable handles
- Large wheels for easy moving
- Heavy duty frame design
- Single lifting point
- Fully adjustable flow control
- Water-cooled

CB15EXL SPECIFICATIONS

Hydraulic Flow	0-12 GPM
Relief Pressure	2100 psi
Hydraulic Tank Capacity	11 gallons
Flow Control	Fully adjustable
Hose	25' x 1/2" or 25' x 5/8"
Quick Disconnects	1/2" and 3/4"
Dimensions	48-1/2" L x 26-1/2" W x 39" H

CB18BVXL

Gasoline

- 18 HP Briggs-Vanguard gas engine
- Adjustable handles
- Large wheels for easy moving
- Heavy duty frame design
- Light weight and portable
- Single lifting point
- Fully adjustable flow control
- Air-cooled

CB18BVXL SPECIFICATIONS

Hydraulic Flow	0-10 GPM
Relief Pressure	2850 psi
Hydraulic Tank Capacity	5-1/2 gallons
Flow Control	Fully adjustable
Hose	25' x 1/2"
Quick Disconnects	1/2"
Dimensions	35-1/2" L x 23-1/2" W x 30" H

POWER UNITS

CB15EXL ELECTRIC POWER UNIT

Model #	Description	Part #	Cat#	Product Weight (lbs)	List Price
CB15EXL (1/2")	15 HP 230V Baldor Electric Motor with 1/2" x 25' hose, 0-12 GPM	4250058A	10998	450	\$9,687
CB15EXL (1/2")	15 HP 460V Baldor Electric Motor with 1/2" x 25' hose, 0-12 GPM	4250058B	10286	450	9,687
CB15EXL (1/2")	15 HP 575V Baldor Electric Motor with 1/2" x 25' hose, 0-12 GPM	4250058C	73238	450	9,687
CB15EXL (5/8")	15 HP 230V Baldor Electric Motor with 5/8" x 25' hose, 0-12 GPM	4250059A	13164	450	9,687
CB15EXL (5/8")	15 HP 460V Baldor Electric Motor with 5/8" x 25' hose, 0-12 GPM	4250059B	20568	450	9,687
CB15EXL (5/8")	15 HP 575V Baldor Electric Motor with 5/8" x 25' hose, 0-12 GPM	4250059C	14383	450	9,687
Tool Tray Option (for Electric Models)		4400262	25074	20	226

CB18BVXL GAS POWER UNIT

CB18BVXL (1/2")	18 HP Briggs-Vanguard with 1/2" x 25' hose, 0-10 GPM	4250067	34017	350	\$7,205
-----------------	--	---------	-------	-----	---------



MADE IN THE U.S.A.

HYDRAULIC PUMP UNITS



Shown with Optional Tool Tray

CB20EXL

Electric

- 20 HP electric motor
- Adjustable handles
- Large wheels for easy moving
- Heavy duty frame design
- Single lifting point
- Fully adjustable flow control
- Water-cooled

CB20EXL SPECIFICATIONS

Hydraulic Flow	0-15 GPM
Relief Pressure	2400 psi
Hydraulic Tank Capacity	11 gallons
Flow Control	Fully adjustable
Hose	25' x 5/8"
Quick Disconnects	1/2" and 3/4"
Dimensions	48-1/2" L x 26-1/2" W x 39" H

CB21HXL

Gasoline

- 20.5 HP Honda GX660 gas engine
- Heavy duty frame design
- Adjustable handles
- Single lifting point
- Large wheels for easy moving
- Fully adjustable flow control
- Water-cooled

CB21HXL SPECIFICATIONS

Hydraulic Flow	0-14 GPM
Relief Pressure	2600 psi
Hydraulic Tank Capacity	11 gallons
Flow Control	Fully adjustable
Hose	25' x 1/2" or 25' x 5/8"
Quick Disconnects	1/2" and 3/4"
Dimensions	48-1/2" L x 26-1/2" W x 39" H
Cooler Option Part #	4400267
Gas Fuel Tank Capacity	4.4 gallons

POWER UNITS

CB20EXL ELECTRIC POWER UNIT

Model #	Description	Part #	Cat#	Product Weight (lbs)	List Price
CB20EXL (5/8")	20 HP 230V Baldor Electric with 5/8" x 25' hose, 0-15 GPM	4220029A	43370	550	\$11,550
CB20EXL (5/8")	20 HP 460V Baldor Electric with 5/8" x 25' hose, 0-15 GPM	4220029B	03082	550	11,550
CB20EXL (5/8")	20 HP 575V Baldor Electric with 5/8" x 25' hose, 0-15 GPM	4220029C	03085	550	11,550
	Tool Tray Option (for Electric Models)	4400262	25074	20	226

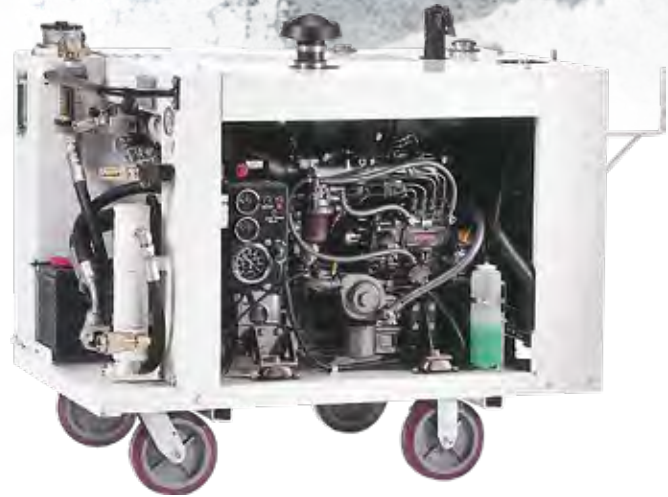
CB21HXL GAS POWER UNIT

CB21HXL (1/2")	20.5 HP Honda GX660 with 1/2" x 25' hose, 0-14 GPM	4250063	78503	450	\$9,460
CB21HXL (5/8")	20.5 HP Honda GX660 with 5/8" x 25' hose, 0-14 GPM	4250064	35571	450	9,460
	Catalytic Muffler for 20.5HP Honda, high mount right side	2702624	25901	25	2,886
	Oil to air cooler	4400267	42968	20	1,340
	Tool Tray Option (for Gas Models)	4400261	30005	20	293



MADE IN THE
U.S.A.

HYDRAULIC PUMP UNITS



CB35BVXL

Gasoline

- 35 HP Briggs-Vanguard gas engine
- Heavy duty frame design
- Adjustable handles
- Single lifting point
- Two large wheels for easy moving
- Fully adjustable flow control
- Water-cooled

CB35BVXL SPECIFICATIONS

Hydraulic Flow	0-17 GPM
Relief Pressure	3000 psi
Hydraulic Tank Capacity	11 gallons
Flow Control	Fully adjustable
Hose	25' x 5/8"
Quick Disconnects	1/2" and 3/4"
Dimensions	49" L x 26-1/2" W x 39" H
Gas Fuel Tank Capacity	4.4 gallons

CB48D

Diesel

- 48 HP Yanmar diesel water cooled engine
- Heavy duty frame design
- Four heavy duty wheels for easy moving
- Hose hanger
- Fully adjustable flow control

CB48D SPECIFICATIONS

Hydraulic Flow	0-25 GPM
Relief Pressure	2500 psi
Hydraulic Tank Capacity	23 gallons
Flow Control	Fully adjustable
Hose	60' x 3/4"
Quick Disconnects	3/4"
Dimensions	50" L x 33" W x 46" H
Gas Fuel Tank Capacity	12 gallons

CB35BVXL GAS POWER UNIT					
Model #	Description	Part #	Cat#	Product Weight (lbs)	List Price
CB35BVXL (5/8")	35 HP Briggs-Vanguard gas engine (993cc) with 5/8" x 25' hose, 0-17 gpm	4220028	03109	596	\$10,168
	Oil to air cooler option for CB35BVXL	4400298	81268	40	1,862
	Catalytic Muffler for 35HP Briggs Vanguard gas engine	2707355	29029	20	2,603
	Tool Tray Option (for Gas Models)	4400261	30005	20	293
CB48D DIESEL POWER UNIT					
CB48D (3/4")	48 HP Yanmar diesel with 3/4" x 60' hose, 0-25 gpm	2600811	35791	1,410	\$47,285



MADE IN THE U.S.A.

HYDRAULIC PUMP UNITS



CB30EXL

Electric

- 30HP electric motor
- Heavy duty frame design
- Single lifting point
- Large wheels for easy moving
- Water-cooled

CB30EXL SPECIFICATIONS

Hydraulic Flow	0-20 GPM
Relief Pressure	2500 psi
Hydraulic Tank Capacity	23 gallons
Flow Control	Fully adjustable
Hose	60' x 3/4"
Quick Disconnects	3/4"
Dimensions	53-1/2" L x 26-1/2" W x 39" H

CB40EXL

Electric

- 40HP electric motor
- Heavy duty frame design
- Four heavy duty wheels for easy moving
- Four lifting points
- Fully adjustable flow control
- Water-cooled

CB40EXL SPECIFICATIONS

Hydraulic Flow	0-20 GPM (H.P.) 0-28 GPM
Relief Pressure	3600 psi (H.P.) 2500 psi
Hydraulic Tank Capacity	23 gallons
Flow Control	Fully adjustable
Hose	60' x 3/4"
Quick Disconnects	3/4"
Dimensions	57" L x 32-1/4" W x 58" H

CB50E

Electric

- 50HP electric motor
- Heavy duty cage design
- Four heavy duty wheels for easy moving
- High pressure power unit
- Fully adjustable flow control
- Remote control
- Can be used with Hydrostress wall saws and wire saws
- Water-cooled

CB50E SPECIFICATIONS

Hydraulic Flow	0-22 GPM
Relief Pressure	3900 psi
Hydraulic Tank Capacity	7 gallons
Flow Control	Fully adjustable
Hose	50' x 3/4"
Quick Disconnects	3/4"
Dimensions	56" L x 26" W x 42" H

POWER UNITS

CB30EXL ELECTRIC POWER UNITS

Model #	Description	Part #	Cat#	Product Weight (lbs)	List Price
CB30EXL (3/4")	30 HP Leeson Electric motor with 3/4" x 60' hose, 0-20 GPM, 230V w/starter box	4250050A	04487	700	\$21,545
CB30EXL (3/4")	30 HP Leeson Electric motor with 3/4" x 60' hose, 0-20 GPM, 460V w/starter box	4250050B	09534	700	21,545
CB30EXL (3/4")	30 HP Leeson Electric motor with 3/4" x 60' hose, 0-20 GPM, 575V w/starter box	4250050C	04263	700	21,545

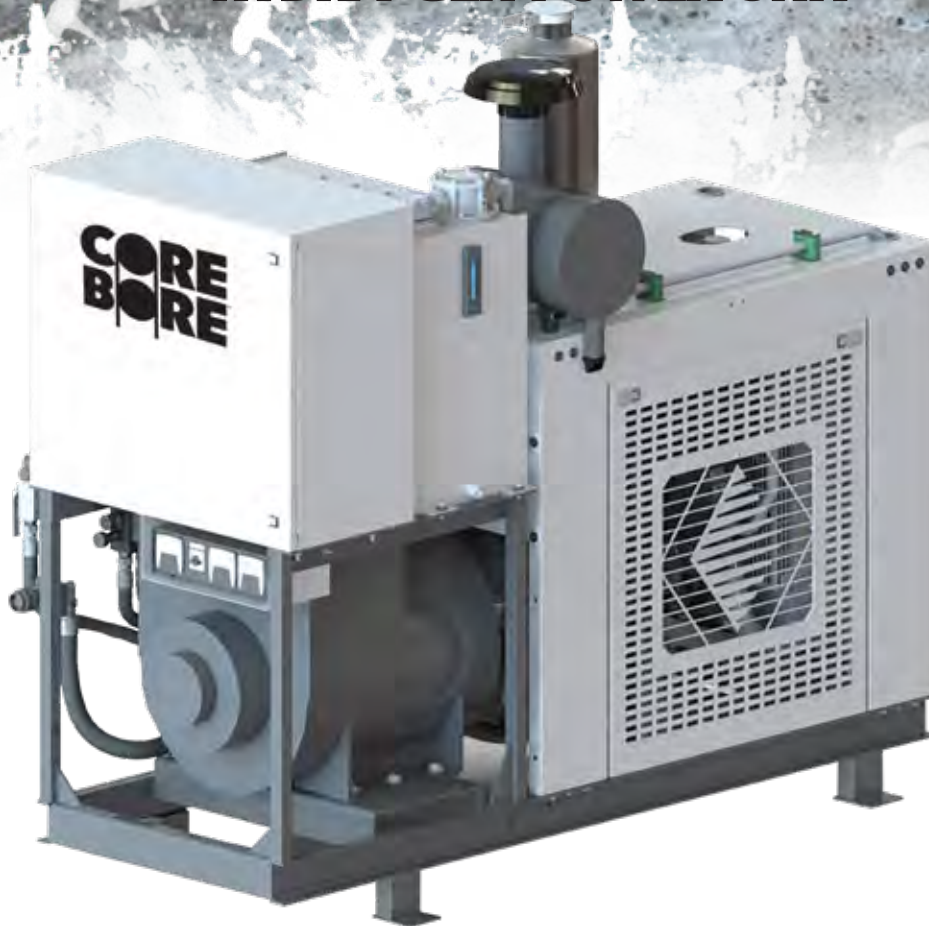
CB40EXL ELECTRIC POWER UNIT

CB40EXL H.P. (3/4")	40 HP Electric motor with 3/4" x 60' hose, 0-28 GPM, 460V w/starter box	4250053	85392	1,300	\$32,522
CB40EXL (3/4")	40 HP Electric motor with 3/4" x 60' hose, 0-28 GPM, 460V w/starter box	4250052	48597	1,300	28,591

CB50E ELECTRIC POWER UNIT

CB50E (3/4")	50 HP Electric motor with 3/4" x 50' hose, 0-22 GPM, 460V high pressure	4250055	93820	1,290	\$55,456
--------------	---	---------	-------	-------	----------

HYDRA-GEN POWER UNIT



MADE IN THE U.S.A.

HYDRA-GEN

Diesel

Electric

Hydra-Gen Takes the Place of:

- 480 volt-50 KW generator· 25 gpm-2500 psi hydraulic unit
- 120 volt-5000 watt generator
- Available as in-truck model or enclosed for outdoor flat beds
- Fits on most utility trucks and the Diamond Products Custom Utility Truck

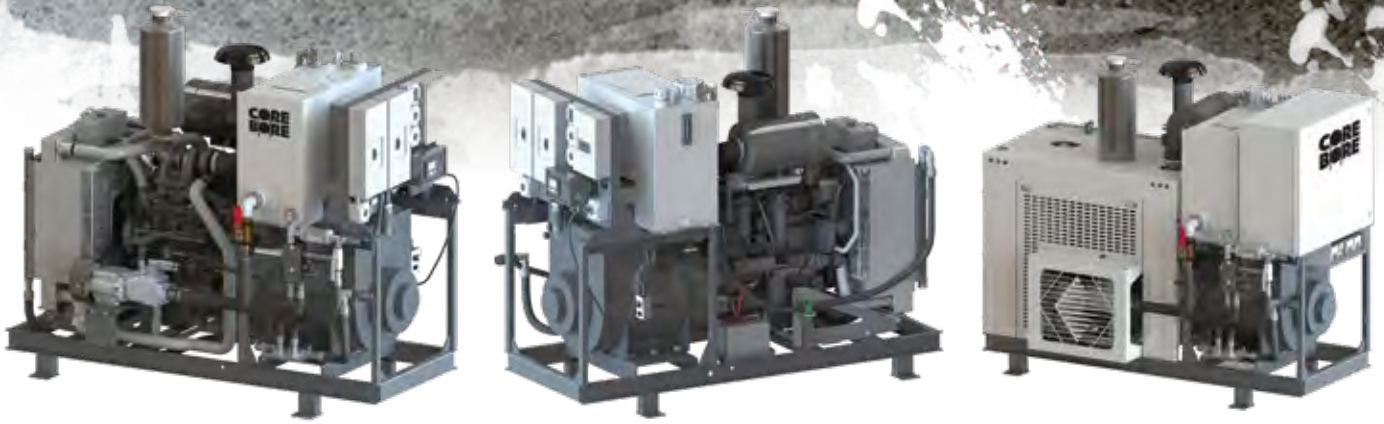
HYDRA-GEN SPECIFICATIONS

Engine	John Deere Tier III-126 HP, 4045T turbo-diesel high temperature and low oil safety shut off switches. Hour meter, temperature gauge, amp meter, oil pressure gauge (fuel tank not included)
Electrical	Two generators available: 50 kw or 75 kw (See next page for variations)
Hydraulics	Variable displacement Eaton piston pump with pressure flow compensation
Dimensions	30" wide x 78" long x 64" tall (73" to top of stack)

CBHG HYDRA-GEN POWER UNIT

Description	Part #	Cat #	Product Weight (lbs.)	List Price
CBHG126-50S Skid Mount 50kw	4250300	27765	3900	\$77,608
CBHG126-50T Truck Mount 50kw	4250301	27812	3900	73,175
CBHG126-75S Skid Mount 75kw	4250302	27817	4000	81,246
CBHG126-75T Truck Mount 75kw	4250303	27830	4000	76,812
CBHG126-50SE Skid Mount Enclosed 50kw	4250305	27832	4300	83,030
CBHG126-75SE Skid Mount Enclosed 75kw	4250306	27837	4300	86,668
50' hose set (2) with valve and quick disconnects	CC-50-HH	85202	55	2,113
100' hose set (2) with valve and quick disconnects	CC-100-HH	85203	110	3,082
50' 6/4 cord with plugs	CC-50-EC	85204	50	726
100' 6/4 cord with plugs	CC-100-EC	85205	100	1,584
30 gallon fuel tank	2503321	85987	90	1,435
50 gallon tank-truck frame mount	2503605	91723	90	2,305

HYDRA-GEN POWER UNIT



Model Number Variations:

CBHG126-50S

Part # 4250300, Cat # 27765 - \$77,608

- Open Skid Mounted Unit With Remote Hydraulic Flow Control/Engine Throttle
- 126HP John Deere Turbo Diesel Engine
- 50KW 480 3 Phase Generator , 70 Amp Service
- 30GPM 3000psi 40 Gallon Hydraulic System
- Built In Hydraulic Flow Test Kit
- Electrical System Includes :
 - 50Amp 480V 3 Phase (Twist Lock Receptacle)
 - 15Amp 480V 3 Phase (Twist Lock Receptacle)
 - 30Amp 240V 1 Phase (Twist Lock Receptacle)
 - 30Amp 120V 1 Phase (Twist Lock Receptacle)
 - 20Amp 120V 1 Phase (GFI Outlet)

CBHG126-75T

Part # 4250303, Cat # 27830 - \$76,812

- Open Skid Mounted Unit, To Be Used In Truck Setups ONLY, in conjunction with Power Reel Rack Assembly (PN 6070216)
- 126HP John Deere Turbo Diesel Engine
- 50KW 480 3 Phase Generator, 100 Amp Service
- 30GPM 3000psi 40 Gallon Hydraulic System
- Built In Hydraulic Flow Test Kit
- Electrical System Includes :
 - 100Amp 480V 3 Phase (Pin Receptacle)
 - 15Amp 480V 3 Phase (Twist Lock Receptacle)
 - 30Amp 240V 1 Phase (Twist Lock Receptacle)
 - 30Amp 120V 1 Phase (Twist Lock Receptacle)
 - 20Amp 120V 1 Phase (GFI Outlet)

CBHG126-50T

Part # 4250301, Cat # 27812 \$73,175

- Open Skid Mounted Unit, To Be Used In Truck Setups ONLY, in conjunction with Power Reel Rack Assembly (PN 6070216)
- 126HP John Deere Turbo Diesel Engine
- 50KW 480 3 Phase Generator, 70 Amp Service
- 30GPM 3000psi 40 Gallon Hydraulic System
- Built In Hydraulic Flow Test Kit
- Electrical System Includes :
 - 50Amp 480V 3 Phase (Twist Lock Receptacle)
 - 15Amp 480V 3 Phase (Twist Lock Receptacle)
 - 30Amp 240V 1 Phase (Twist Lock Receptacle)
 - 30Amp 120V 1 Phase (Twist Lock Receptacle)
 - 20Amp 120V 1 Phase (GFI Outlet)

CBHG126-50SE

Part # 4250305, Cat # 27832 - \$83,030

- Enclosed Skid Mounted Unit With Remote Hydraulic Flow Control/Engine Throttle
- 126HP John Deere Turbo Diesel Engine
- 50KW 480 3 Phase Generator, 70 Amp Service
- 30GPM 3000psi 40 Gallon Hydraulic System
- Built In Hydraulic Flow Test Kit
- Electrical System Includes :
 - 50Amp 480V 3 Phase (Twist Lock Receptacle)
 - 15Amp 480V 3 Phase (Twist Lock Receptacle)
 - 30Amp 240V 1 Phase (Twist Lock Receptacle)
 - 30Amp 120V 1 Phase (Twist Lock Receptacle)
 - 20Amp 120V 1 Phase (GFI Outlet)
- Electrical System Enclosed In Water Tight Enclosure

CBHG126-75S

Part # 4250302, Cat # 27817 - \$81,246

- Open Skid Mounted Unit With Remote Hydraulic Flow Control/Engine Throttle
- 126HP John Deere Turbo Diesel Engine
- 75KW 480 3 Phase Generator, 100 Amp Service
- 30GPM 3000psi 40 Gallon Hydraulic System
- Built In Hydraulic Flow Test Kit
- Electrical System Includes :
 - 100Amp 480V 3 Phase (Pin Receptacle)
 - 15Amp 480V 3 Phase (Twist Lock Receptacle)
 - 30Amp 240V 1 Phase (Twist Lock Receptacle)
 - 30Amp 120V 1 Phase (Twist Lock Receptacle)
 - 20Amp 120V 1 Phase (GFI Outlet)

CBHG126-75SE

Part # 4250306, Cat # 27837 - \$86,668

- Enclosed Skid Mounted Unit With Remote Hydraulic Flow Control/Engine Throttle
- 126HP John Deere Turbo Diesel Engine
- 75KW 480 3 Phase Generator, 100 Amp Service
- 30GPM 3000psi 40 Gallon Hydraulic System
- Built In Hydraulic Flow Test Kit
- Electrical System Includes :
 - 100Amp 480V 3 Phase (Pin Receptacle)
 - 15Amp 480V 3 Phase (Twist Lock Receptacle)
 - 30Amp 240V 1 Phase (Twist Lock Receptacle)
 - 30Amp 120V 1 Phase (Twist Lock Receptacle)
 - 20Amp 120V 1 Phase (GFI Outlet)
- Electrical System Enclosed In Water Tight Enclosure

CB74D SKID-MOUNTED POWER UNIT



POWER UNITS

CB74D

Diesel

Features & Benefits:

- DVERT Oxidation Catalyst (DOC), Maintenance-free operation.
- Fully Adjustable 1-35 Gallon per Minute Hydraulic Flow Rate
- Completely enclosed, self contained design
- Integrated safety features including warnings and shutdown commands to protect power pack including:
- Low Hydraulic Fluid Indicator
- Hydraulic Fluid Over Temperature Indicator
- Clogged or Dirty Hydraulic Filter Indicator
- Standard Engine Controls (Low Oil Pressure, Coolant Over Temperature, ETC)

Local or Remote Operations, via Wireless Controller

- Murphy PV450 Color Display digitally indicated all necessary engine information, hydraulic system information and maintenance information.
- Kar-Tech Wireless Control System, with 2 Line MEGA Series Remote Display that indicates System Pressure and Hydraulic Flow, allows for flow and pressure adjustments, hydraulic function ON/OFF, and Emergency Stop.
- Charges Directly off the Power unit via the incorporated docking station/charger.

CB74D SPECIFICATIONS

Engine	Deutz TD2.9L4 Tier 4 Final, Liquid-Cooled Turbo Charged Common Rail
Max GPM	35 GPM
Max PSI	3,000 psi
Flow/Pressure Control	Fully adjustable
Hydraulic Tank Capacity	44 gallons
Gas Fuel Tank Capacity	17 gallons
Dimensions	74" L x 30" W x 60" H
Weight	2,200 lbs. (Including fluid)

CB74D POWER UNIT

Model #	Engine Make	Engine Power	Power Source	Part #	Cat #	List Price
CB74D	Deutz TD2.9L4	74 HP	Diesel	5801545	60687	\$74,256



MADE IN THE U.S.A.

CB80DT TRAILER-MOUNTED POWER UNIT



CB80DT

Diesel

Features & Benefits:

- Trailer jack with wheel
- CanTrax controller on the diesel engine
- Engine is Tier 4 interim emission compliant
- Spare tire and wheel assembly
- Electric brakes
- 5000 lbs. torsion axle with bearing buddy
- 2 5/16" ball hitch or pintle ring (specify when ordering)
- Wireless remote for engine RPM and flow
- Fuel gauge for diesel fuel tank

CB80DT SPECIFICATIONS	
Engine	Cummins® 4-cylinder diesel, water-cooled
Max GPM	30 GPM
Max PSI	3,000 psi
Flow/Pressure Control	Fully adjustable
Hydraulic Tank Capacity	40 gallons
Gas Fuel Tank Capacity	24 gallons
Hose	100' x 3/4"
Dimensions	156" L x 83-1/2" W x 76" H
Weight	3,500 lbs.
Reels	12 volt, 1" power rewind (return) 12 volt, 3/4" power rewind (pressure)



MADE IN THE U.S.A.

CB80DT POWER UNIT						
Model #	Engine Make	Engine Power	Power Source	Part #	Cat #	List Price
CB80DT	Cummins 3.3 QSB	80 HP	Diesel	5801401	52757	\$57,384

SAWING INFO

CUSTOM UTILITY TRUCKS

Made the Way You Want with
Your Jobs in Mind



Side graphic wrap not included

Custom Truck



Hydra-Gen Power Unit

John Deere® 123 HP

Installed and Ready to Go

Part #	Cat #	List Price
CC-HG-SK	80490	\$73,281

Enclosed Hydra-Gen Unit

CC-HGE-SK	94567	\$73,334
-----------	-------	----------

Large Capacity Hydra-Gen Unit

CC-HG-75KW	87265	\$78,232
------------	-------	----------



Power Reels

Holds two 100', 3/4" hydraulic hoses, swivel fittings, 12 volt power needed, hoses not included

Reels Only

Wall Sawing

Part #	Cat #	List Price
2506351	04703	\$3,303

Hand Sawing

2502581	91720	\$2,035
---------	-------	---------

Electric Slab Sawing

2506273	64947	\$2,878
---------	-------	---------

Reel Electric with Water

2503414	91721	\$1,930
---------	-------	---------



Blade Rack

Up to 54" capacity

Blade Rack

Part #	Cat #	List Price
6075081	04701	\$661



OUTFITTED
IN THE
U.S.A.



Core Bit Rack

Part #	Cat #	List Price
6075078	04698	\$1,552



3 Level Shelf Unit

Part #	Cat #	List Price
6075073	04693	\$907



Only 1 water tank included

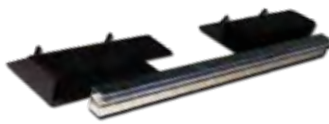
Plastic Water Tank (1)

- 175 gallons
- 3/8" thick plastic, 10" fill cap
- 52" tall x 36" deep x 22" wide
- *Plumbing not included

Plastic Water Tank

Part #	Cat #	List Price
2506323	04689	\$3,513

We offer 10 gauge steel water tanks, powder coated inside and outside-built to your specs- any size and shape!



Wall Saw Track Holder

Right Side

Part #	Cat #	List Price
6075079	04699	\$184

Left Side

6075080	04700	\$184
---------	-------	-------



Blade Guard Holders

Right Side

Part #	Cat #	List Price
6075075	04695	\$312

Left Side

6075076	04696	\$354
---------	-------	-------



Power Hose Reel

- For two 100' x 3/4" hoses
- 22" wide x 36" long x 36" tall

Power Hose Reel

Part #	Cat #	List Price
2506351	04703	\$3,303



Ventilation Fan

- Installed in the top of the truck box
- Ventilation for heat and fumes

Ventilation Fan

Part #	Cat #	List Price
2506353	04690	\$452



Water Pumps

Honda Pump with Plumbing

Part #	Cat #	List Price
HWP-CL	86660	\$1,808

Sliding Water Pump Mount

6040605	53413	\$389
---------	-------	-------

12 Volt Water Pump (GPM)

2706488	51268	\$640
---------	-------	-------

110-220 Volt Single Phase

2600868	67727	\$1,706
---------	-------	---------

Truck Options

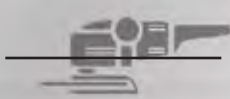
Description	Part #	Cat #	List Price
Remote throttle for Hydra-Gen	6075060	04691	\$810
30 gallon fuel tank for Hydra-Gen mounted on unit	2503321	85987	1,435
Truck mounted 50 gallon auxiliary fuel tank mounted on truck frame	2503605	91723	2,305
Plastic water tank 3/8" thick with baffles	2506323	04689	3,513
2 steel water tanks, 190 gallons each powder coated (380 gallon total)	2-WT-388	86268	5,697
325 gallon water tank for flatbed truck	FB-WT	86662	4,127
Power reel for (2) 100' 3/4" hoses 46" wide x 25" long x 26" tall	2502580	85814	3,326
Power reel for (1) 3/4" x 150' hose	2502110	99987	3,627
Hand crank reel- holds 200' of 1/2" hose	2503413	28003	621
Power reel w/o swivel-holds 200' of 6-4 SO electric cord	2503101	88117	1,572
Power reel with swivel-holds 200' of 10-3 SO electric cord	2503178	21063	2,528
Power reel with swivel-hold 200' of 10-4 SO electric cord	2503179	21062	2,698
Hose stop	2502157	69299	56
3/4" roller set for reel	2506280	69319	432
Power reel rack-holds 3 reels	6075072	04692	1,277
Power reel w/200' 6-4 cord and 50amp plug	ECR200P	86272	5,190
Paint box	2503474	94799	401
Saw tie downs (each) lashing ring- 2 per saw	2503320	86658	56
100' of 6-4 SO cord with 50amp plugs	CC-100-EC	85205	1,584
Floor mount handsaw rack for 2 saws	6045000	18697	666
Hook rack	6040421	99988	323
Strobe light	2802597	18701	459
Strobe light base	2802596	27885	127
Wall saw holder	6045001	18703	1,500
12 volt spot light-outside	2500194	54363	46
12 volt spot light-inside	2804501	04704	45
1/2" water hose	3201312	91718	3
Hand saw holder	6075077	04697	323
Hammer/pry bar holder	6075091	06139	303

Custom Truck Options



Icons & Information

APPLICATION ICONS



0-5° grinding,
brushing,
drilling &
mortar raking



30° grinding



90° cutting off

MATERIAL ICONS



Steel



2-in-1: Steel/Stainless Steel



Stainless Steel: INOX



Cast Materials



Masonry



Aluminum & Non-Ferrous
Materials



Asphalt

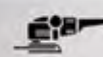


Concrete



PVC

MACHINE ICONS



Angle Grinder



Straight Grinder



Bench Grinder



Hand-Guided



Low HP
Walk Behind Saw



Angle Grinder



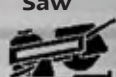
High Speed Saw



Chop Saw



Portable Electric
Saw



Stationary Saw

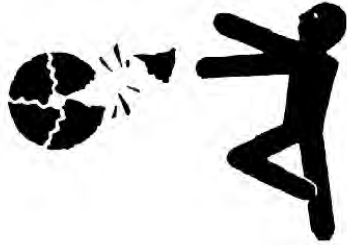
ABRASIVES SAFETY INFORMATION

These are general warnings and safety information. Please consult literature and packaging information before using abrasive products.

Handle Grinding Wheels Safety

Safety is everyone's business in both the application and care of grinding wheels. Wheels improperly used may not only be breakable—they can be dangerous. Grinding wheel operation must always be in strict compliance with the American National Standards Institute (ANSI) B7.1 Safety Requirements and the Occupational Safety and Health Act which regulates speed; safety guards; flanges; mounting procedures; general operating rules; handling, storage and inspection; and general machine conditions.

WARNING!!!



IMPROPER USE MAY CAUSE GRINDING WHEEL BREAKAGE AND SERIOUS INJURY.

CAUTION: Comply with American National Standards Institute Code B7.7, Occupational Safety and Health Act and Safety Guide with Packaging.

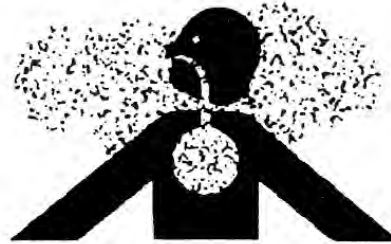
DON'T OVERSPEED, ABUSE, OR DROP WHEEL ALWAYS USE A GUARD, PERSONAL PROTECTIVE EQUIPMENT AND PROPER MOUNTING PROCEDURES.

DO :

1. DO always HANDLE AND STORE wheels in a careful manner.
2. DO VISUALLY INSPECT all wheels for possible damage before mounting.
3. DO MAKE SURE MACHINE SPEED does not exceed MAXIMUM OPERATING SPEED marked on wheel or its container.
4. DO CHECK MOUNTING FLANGES for equal size, relieved as required and correct diameter. (Should be at least 1/3 diameter of the wheel.)
5. DO USE MOUNTING BLOTTERS supplied with wheels.
6. DO be sure WORK REST is properly adjusted on bench and floor stand grinders. (Should be center of wheel or above and no more than 1/8" away from wheel.)
7. DO always USE A PROPERLY DESIGNED SAFETY GUARD covering at least on half of the grinding wheel.
8. DO allow WHEELS to run at operating speed, with guard in place, for at least one minute before grinding.
9. DO always WEAR SAFETY GLASSES or equivalent proper eye protection when grinding.
10. DO TURN OFF COOLANT before stopping wheel to avoid creating an out-of-balance condition.
11. DO make sure work is held FIRMLY in place. CLAMP work when using non-reinforced cut-off wheels.
12. DO CHECK THE SPEED OF THE GRINDER as recommended in ANSI B7.1 Safety Requirements.

WARNING!!!

AIRBORNE PARTICULATES AND FUMES GENERATED BY THE GRINDING PROCESS MAY CAUSE INJURY TO THE EYES AND SKIN AND SERIOUS RESPIRATORY ILLNESS.



These airborne concentrations are produced by the material being ground, the coolant and the grinding wheel. Consult the **MATERIAL SAFETY DATA SHEETS** for each material involved in the process. Always use adequate ventilation, dust control and NIOSH and MSHA approved personal protective equipment appropriate for the grinding process involved.

DON'T :

1. DON'T use a wheel that HAS BEEN DROPPED or DAMAGED or appears to have been abused.
2. DON'T FORCE a wheel onto the machine OR ALTER the size of the mounting hole-if wheel won't fit the machine, get one that will.
3. DON'T ever EXCEED MAXIMUM OPERATING SPEED established for the wheel.
4. DON'T use mounting flanges on which the bearing surfaces ARE NOT CLEAN, FLAT AND FREE FROM BURRS.
5. DON'T TIGHTEN the mounting nut EXCESSIVELY.
6. DON'T grind on the SIDE OF THE WHEEL unless wheel is specifically designed for that purpose. (See the current ANSI B7.1 Safety Requirements for exceptions.)
7. DON'T start the machine until the WHEEL GUARD IS IN PLACE.
8. DON'T STAND DIRECTLY IN FRONT of a grinding wheel whenever a grinder is started.
9. DON'T grind without proper ventilation and personal protective equipment. (See ANSI B7.1)
10. DON'T grind material for which the WHEEL IS NOT DESIGNED.
11. DON'T JAM work into the wheel. NEVER JAM, TWIST, BEND OR TILT a cut-off wheel when cutting.
12. DON'T GRIND with a machine that vibrates excessively.



Tyrolit PREMIUM 2 in 1 Wheels for Steel and Stainless Steel-Type 27



- Aluminum oxide grain
- High performance, aggressive, fast cutting
- Designed for cutting steel and stainless steel
- For cutting solid materials, tubes, profiles and thin-wall materials
- Contaminate-free/iron, sulfur and chlorine <0.1%

★★★



SIZE	Specification	Max Safe RPM	Material #	Cat #	Unit Pkg. Qty.	List Price
4-1/2" x 3/32" x 7/8"	A30Q-BFXA	13280	34162799	43675	25	\$3.32
5" x 3/32" x 7/8"	A30Q-BFXA	12220	34162811	80162	25	\$4.01



Tyrolit BASIC Wheels for General Purpose Use-Steel-Type 27



- Aluminum oxide grain
- General purpose cutting/light grinding wheels for steel
- Good cut rate and wheel life
- For all cross sections

★



Right Angle Grinder



Right Angle Grinder

SIZE	Specification	Max Safe RPM	Material #	Cat #	Unit Pkg. Qty.	List Price
4" x 1/8" x 3/8"	A30BF	15270	34301902	92401	10	\$1.99
4" x 1/8" x 5/8"	A30BF	15270	34301904	62999	10	\$1.99
4-1/2" x 1/8" x 7/8"	A30BF	13280	34301921	36885	10	\$2.39
4-1/2" x 1/8" x 5/8"-11	A30BF	13280	34301910	47621	5	\$4.50
5" x 1/8" x 7/8"	A30BF	12220	34301938	92402	10	\$2.87
5" x 1/8" x 5/8"-11	A30BF	12220	34312946	92403	5	\$5.18
7" x 1/8" x 7/8"	A30BF	8600	34301955	92438	10	\$4.36
7" x 1/8" x 5/8"-11	A30BF	8600	34301954	62992	5	\$7.67
9" x 1/8" x 7/8"	A30BF	6640	34301968	86495	10	\$6.17
9" x 1/8" x 5/8"-11	A30BF	6640	34301966	92439	5	\$9.73



Tyrolit BASIC Wheels for General Purpose Use-Concrete/Masonry-Type 27



- Silicon carbide grain
- General purpose cutting/light grinding wheels for concrete, masonry and stone
- Good cutting rate and wheel life
- High side stability for difficult applications

★

SIZE	Specification	Max Safe RPM	Material #	Cat #	Unit Pkg. Qty.	List Price
4-1/2" x 1/8" x 7/8"	C30BF	13280	34301923	45185	10	\$2.44
4-1/2" x 1/8" x 5/8"-11	C30BF	13280	34301922	92440	5	\$4.50



Tyrolit PREMIUM 2 in 1 Wheels for Steel and Stainless Steel-Pipeline Applications-Type 27



- Aluminum oxide grain
- High performance, aggressive and fast cutting/light grinding/notching wheels
- Designed for both steel and stainless steel
- Contaminate-free iron, sulfur and chlorine, <0.1%

★★★



Type 27

SIZE	Specification	Max Safe RPM	Material #	Cat #	Unit Pkg. Qty.	List Price
4-1/2" x 1/8" x 5/8"	A30QBFX	13280	771406	51898	10	\$4.38
4-1/2"x1/8" x 5/8"-11	A30QBFX	13280	898115	67133	5	\$6.75
5" x 1/8" x 7/8"	A30QBFX	12220	771410	71142	10	\$5.65
7" x 1/8" x 7/8"	A30QBFX	8600	771422	61015	10	\$7.81
7" x 1/8" x 5/8"-11	A30QBFX	8600	898116	65108	5	\$11.02
9" x 1/8" x 7/8"	A30QBFX	6640	771430	81071	10	\$11.07
9" x 1/8" x 5/8"-11	A30QBFX	6640	898118	65412	10	\$13.49



**30°
Angle Grinder**



Tyrolit PREMIUM Pipeliner Plus Wheels for Steel and Cast Materials-Type 27



- High quality zirconia alumina grain
- High performance, aggressive, fast cutting, light grinding and notching
- Designed specifically for the pipeline industry
- For the most demanding applications
- Designed for both steel and stainless

★★★



90°

**Right Angle
Grinder**

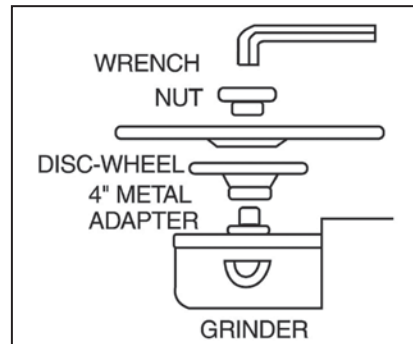
SIZE	Specification	Max Safe RPM	Material #	Cat #	Unit Pkg. Qty.	List Price
4-1/2" x 1/8" x 7/8"	ZA24-BF	13280	352336	27007	10	\$5.11
4-1/2" x 1/8" x 5/8"-11	ZA24-BF	13280	352334	27012	5	\$8.65
5" x 1/8" x 7/8"	ZA24-BF	12220	356632	27015	10	\$5.82
5" x 1/8" x 5/8"-11	ZA24-BF	12220	356633	27022	5	\$9.27
7" x 1/8" x 7/8"	ZA24-BF	8600	352339	27023	10	\$11.47
7" x 1/8" x 5/8"-11	ZA24-BF	8600	352338	27024	5	\$16.19
9" x 1/8" x 7/8"	ZA24-BF	6640	352341	27025	10	\$18.30
9" x 1/8" x 5/8"-11	ZA24-BF	6640	352340	27033	5	\$22.21

Reusable Metal Adapter Flanges for Dish Wheels

Type	Spec	Material #	Cat #	List Price
Adapter	SF113	20007845	59242	\$44.22
Nut	S113	20007890	59602	\$19.81

Reusable Metal Adapter Flanges

All 7" and 9" raised hub dish wheels, except those with ready mount adapters, require mounting with properly designed adapter flanges.





Tyrolit BASIC Wheels for Concrete/Masonry- Type 27



- Silicon carbide grain
- General purpose wheel for rough grinding of concrete, masonry and stone
- Very good stock removal rates and wheel life



SIZE	Specification	Max Safe RPM	Material #	Cat #	Unit Pkg. Qty.	List Price
4" x 1/4" x 5/8"	C30BF	15270	34301908	92397	5	\$2.61
4-1/2" x 1/4" x 7/8"	C30BF	13280	34301929	63034	10	\$2.74
4-1/2" x 1/4" x 5/8"-11	C30BF	13280	34301927	92442	5	\$5.35
5" x 1/4" x 7/8"	C30BF	12220	34301945	92473	10	\$4.09
5" x 1/4" x 5/8"-11	C30BF	12220	34301944	92493	5	\$6.07
7" x 1/4" x 7/8"	C30BF	8600	34301961	68759	10	\$5.52
7" x 1/4" x 5/8"-11	C30BF	8600	34301960	92494	5	\$9.00
9" x 1/4" x 7/8"	C30BF	6640	34342489	92495	10	\$8.06
9" x 1/4" x 5/8"-11	C30BF	6640	34301982	92496	5	\$11.91



Type 27



30°

Angle Grinder



Tyrolit BASIC Wheels for Steel-Type 27



- Aluminum oxide grain
- General purpose wheel for ferrous metals; surface or edge grinding
- Very good stock removal rates and wheel life



SIZE	Specification	Max Safe RPM	Material #	Cat #	Unit Pkg. Qty.	List Price
3" x 1/4" x 3/8"	A30BF	18000	34301986	45190	10	\$1.93
4" x 1/4" x 3/8"	A30BF	15270	34301905	36892	10	\$1.93
4" x 1/4" x 5/8"	A30BF	15270	34301907	53948	10	\$1.93
4-1/2" x 1/4" x 7/8"	A30BF	13280	34301926	92497	10	\$2.74
4-1/2" x 1/4" x 5/8"-11	A30BF	13280	34301924	50020	5	\$5.11
5" x 1/4" x 7/8"	A30BF	12220	34301943	92506	10	\$3.46
5" x 1/4" x 5/8"-11	A30BF	12220	34301942	37439	5	\$5.78
6" x 1/4" x 7/8"	A30BF	10200	34301952	82414	10	\$4.39
6" x 1/4" x 5/8"-11	A30BF	10200	34301951	92525	5	\$7.11
7" x 1/4" x 7/8"	A30BF	8600	34301959	68780	10	\$4.88
7" x 1/4" x 5/8"-11	A30BF	8600	34301958	79140	5	\$8.63
9" x 1/4" x 7/8"	A30BF	6640	34301981	79422	10	\$7.27
9" x 1/4" x 5/8"-11	A30BF	6640	34301970	92528	5	\$10.84



Tyrolit PREMIUM 2 in 1 Wheels for Steel and Stainless Steel-Type 27



- Aluminum oxide grain
- High performance rough grinding wheels designed especially for steel and stainless steel
- Excellent stock removal rates and exceptional wheel life
- Contaminate-free iron/sulfur and chlorine, <0.1%



SIZE	Specification	Max Safe RPM	Material #	Cat #	Unit Pkg. Qty.	List Price
4-1/2" x 1/4" x 7/8"	A30Q-BFXA	13280	34251162	44553	10	\$4.97
5" x 1/4" x 7/8"	A30Q-BFXA	12220	34251163	58216	10	\$5.79
7" x 1/4" x 7/8"	A30Q-BFXA	8600	34251165	68817	10	\$8.86
7" x 1/4" x 5/8"-11	A30Q-BFXA	8600	34251268	94196	5	\$10.30
9" x 1/4" x 7/8"	A30Q-BFXA	6640	34251166	36838	10	\$13.13
9" x 1/4" x 5/8"-11	A30Q-BFXA	6640	34251269	51624	5	\$14.73



Tyrolit BASIC High Performance Zirconia Wheels for Steel & Cast Materials-Type 27



- Zirconia alumina grain
- High performance grinding wheel for the most demanding applications
- Highest stock removal rates and ultimate wheel life
- Designed for ferrous metals, stainless steel and cast materials

★

SIZE	Specification	Max RPM	Material #	Cat #	Unit Pkg. Qty.	List Price
4" x 1/4" x 3/8"	ZA30BF	15270	34337104	92128	10	\$7.65
4-1/2" x 1/4" x 7/8"	ZA30BF	13280	34301936	92755	10	\$7.93
4-1/2" x 1/4" x 5/8"-11	ZA30BF	13280	34301934	92851	5	\$9.39
5" x 1/4" x 7/8"	ZA30BF	12220	34301949	92129	10	\$9.52
5" x 1/4" x 5/8"-11	ZA30BF	12220	34301948	92130	5	\$7.33
7" x 1/4" x 7/8"	ZA30BF	8600	34301964	92153	10	\$11.94
7" x 1/4" x 5/8"-11	ZA30BF	8600	34301962	48463	5	\$14.03
9" x 1/4" x 7/8"	ZA30BF	6640	34301984	79650	10	\$16.34
9" x 1/4" x 5/8"-11	ZA30BF	6640	34301983	47624	5	\$18.38



Tyrolit BASIC Grinding Wheels for Steel-Type 28



- Zirconia alumina grain
- High performance grinding wheel for the most demanding applications
- Highest stock removal rates and ultimate wheel life
- Designed for ferrous metals, stainless steel and cast materials
- Type 28 saucer shape provides greater surface area coverage and provides the operator with better grinding visibility

★

SIZE	Specification	Max RPM	Material #	Cat #	Unit Pkg. Qty.	List Price
7" x 1/4" x 7/8"	A30BF	8600	34301990	92867	10	\$7.68
7" x 1/4" x 5/8"-11	A30BF	8600	34301989	93133	5	\$10.28
9" x 1/4" x 7/8"	A30BF	6640	34337106	93132	10	\$12.58
9" x 1/4" x 5/8"-11	A30BF	6640	34302023	68455	10	\$15.30



Tyrolit BASIC Raised Hub Dish Wheels for Concrete/Masonry-Type 28



- Zirconia alumina grain
- High performance grinding wheel for the most demanding applications
- Very good stock removal rates and wheel life
- Type 28 saucer shape provides greater surface area coverage and provides the operator with better grinding visibility

★

SIZE	Specification	Max RPM	Material #	Cat #	Unit Pkg. Qty.	List Price
7" x 1/4" x 7/8"	C30BF	8600	34302022	93135	10	\$8.06
7" x 1/4" x 5/8"-11	C30BF	8600	34302021	47631	5	\$10.31
9" x 1/4" x 7/8"	C30BF	6640	34337108	47329	10	\$13.21
9" x 1/4" x 5/8"-11	C30BF	6640	34302024	36884	5	\$15.45



Tyrolit PREMIUM Grinding Wheels for Aluminum & Non-Ferrous Materials-Type 27



- Aluminum Oxide Grain
- High performance, rough grinding wheels for non-ferrous metals
- No loading
- For surface and edge grinding
- Contaminant-free/iron, sulfur and chlorine <0.1%

★★★

SIZE	Specification	Max RPM	Material #	Cat #	Unit Pkg. Qty.	List Price
4-1/2" x 1/4" x 7/8"	A36NBFX	13280	773067	42538	10	\$7.27
4-1/2" x 1/4" x 5/8"-11	A36NBFX	13280	913325	68797	5	\$8.14
7" x 1/4" x 5/8"-11	A36NBFX	8600	913331	68538	5	\$13.23



SUPER-THIN CUT-OFF WHEELS

Type 1



90°

Right Angle
Grinder



Tyrolit BASIC Wheels for INOX, Steel & Stainless Steel-Type 1



- Aluminum oxide grain
- General purpose wheel for cutting INOX, steel and stainless steel
- For cutting thin-wall metal sheets, profiles and tubes
- Good cutting rates and wheel life
- Excellent price/performance ratio
- Contaminate-free of iron, sulfur and chlorine, <0.1%

★

SIZE	Specification	Max RPM	Material #	Cat #	Unit Pkg. Qty.	List Price
4" x .040 x 5/8"	A60-BF	15270	34163027	75612	25	\$2.76
4-1/2" x .040 x 7/8"	WA60-BF	13280	396110	47413	25	\$2.29
4-1/2" x .060 x 7/8"	WA60-BF	13280	222899	10001	25	\$2.51
5" x .040 x 7/8"	WA60-BF	12220	34162827	47553	25	\$3.11
6" x .045 x 7/8"	WA60-BF	10200	34331611	44552	25	\$2.83



Tyrolit PREMIUM 2 in1 Wheels for Steel & Stainless Steel-Type 1



- Premium aluminum oxide grain
- Aggressive, fast cutting wheels for steel and stainless steel
- Very good wheel life
- Contaminate-free of iron, sulfur, chlorine, <0.1%

★★★

SIZE	Specification	Max RPM	Material #	Cat #	Unit Pkg. Qty.	List Price
4" x .040 x 5/8"	A60Q-BF	15270	34163027	75612	25	\$2.76
4-1/2" x .040 x 7/8"	A60Q-BFXA	13280	34162818	54078	25	\$3.18
4-1/2" x .060 x 7/8"	A46Q-BFXA	13280	34162820	51002	25	\$2.94
5" x .040 x 7/8"	A60Q-BFXA	12220	34162819	57419	25	\$2.89
5" x .060 x 7/8"	A46Q-BFXA	12220	34162821	80223	25	\$3.21
6" x .045 x 7/8"	A60Q-BFXA	10200	34331319	39135	25	\$3.66
6" x .060 x 7/8"	A46Q-BFXA	10200	34162823	47582	25	\$4.76
7" x .060 x 7/8"	A46Q-BFXA	8600	34162825	48490	25	\$4.57
9" x .075 x 7/8"	A46Q-BFXA	6640	34331346	50168	25	\$6.16



Tyrolit BASIC Wheels for INOX, Steel & Stainless Steel-Type 27



- Aluminum oxide grain
- General purpose wheel for cutting INOX, steel and stainless steel
- Good cutting rates and wheel life
- Excellent price/performance ratio
- Contaminate-free of iron, sulfur and chlorine, <0.1%

★

SIZE	Specification	Max RPM	Material #	Cat #	Unit Pkg. Qty.	List Price
4-1/2" x .040 x 7/8"	WA60BF	13280	34331624	93214	25	\$2.49

Type 27



Right Angle
Grinder

SUPER-THIN CUT-OFF WHEELS



Tyrolit PREMIUM Long Life Wheels for Steel-Type 1



- Aluminum oxide grain
- High performance cut-off wheels designed especially for steel
- Hard "S" bond provides exceptionally long life

★ ★ ★

SIZE	Specification	Max RPM	Material #	Cat #	Unit Pkg. Qty.	List Price
4-1/2" x .040 x 7/8"	A60S-BFXA	13280	34163158	41769	25	\$2.76
4-1/2" x .060 x 7/8"	A46S-BFXA	13280	34163160	41787	25	\$2.55
5" x .040 x 7/8"	A60S-BFXA	12220	34163159	67659	25	\$2.89
5" x .060 x 7/8"	A46S-BFXA	12220	34163161	72927	25	\$3.21

Type 1



90°

Right Angle Grinder

WHY USE SUPER-THIN?

- Ease of operation
- Clean cutting surfaces
- Shorter cutting times minimal burring
- Less cutting waste and dust
- Reduced machine load
- Suitable for various materials



Tyrolit PREMIUM INOX Super-Thin-Cut-Off Wheels for Stainless Steel-Type 1



- Aluminum oxide grain
- Ultimate performance characteristics in cutting material made of rust and acid resistant steels
- Contaminate-free of iron, sulfur and chlorine, <0.1%

★ ★ ★

SIZE	Specification	Max RPM	Material #	Cat #	Unit Pkg. Qty.	List Price
4-1/2" x .040 x 7/8"	A60R-BFXA	13280	34163117	45589	25	\$3.27
4-1/2" x .060 x 7/8"	A46R-BFXA	13280	34163135	83627	25	\$3.46
5" x .040 x 7/8"	A60R-BFXA	12220	34163134	61054	25	\$3.38
5" x .060 x 7/8"	A46R-BFXA	12220	34163136	66559	25	\$3.76
6" x .045 x 7/8"	A46R-BRXA	10200	34163138	46662	25	\$4.22
7" x .060 x 7/8"	A46R-BFXA	8600	34163140	41133	25	\$5.94



Tyrolit PREMIUM ULTRA-THIN Disc for INOX, Steel & Stainless Steel-NEXT GENERATION-Type 1



- Tyrolit's best performing wheel for stainless steel as well as carbon steel
- Significant increase in wheel life and cutting ability
- Short cutting time, extremely free cutting, rough side-surfaces
- Improved first-cut behavior offering free cutting from the start
- Superior wear out behavior with stable cutting ability over entire diameter
- Less noise and vibration
- Perfect exploitation of raw material leaving 30% less cutting dust.
- Forging flexibility

★ ★ ★

SIZE	Specification	Max RPM	Material #	Cat #	Unit Pkg. Qty.	List Price
4-1/2" x .040 x 7/8"	A60R-BFKA	13280	34163152	81680	25	\$3.75
5" x .040 x 7/8"	A60R-BFKA	12220	34163153	47326	25	\$4.22

Type 1



Right Angle Grinder



Tyrolit PREMIUM ULTRA-THIN 2-in-1 Wheels for Steel & Stainless Steel-NEXT GENERATION -Type 1



- Two applications with one wheel; excellent performance in both stainless and carbon steel.
- Significant increase in wheel life and cutting ability
- Short cutting time, extremely free cutting, rough side-surfaces
- Improved first-cut behavior offering free cutting from the start
- Superior wear out behavior with stable cutting ability over entire diameter
- Less noise and vibration
- Perfect exploitation of raw material leaving 30% less cutting dust.
- Forging flexibility

★ ★ ★

SIZE	Specification	Max RPM	Material #	Cat #	Unit Pkg. Qty.	List Price
4-1/2" x .040 x 7/8"	A60Q-BFKA	13280	34332928	77263	25	\$3.57
5" x .040 x 7/8"	A60Q-BFKA	12220	34332929	79285	25	\$3.68

What is Next Generation?

Next generation cut-off discs increase productivity significantly, will help you get a lot more done with a lot less waste. And at the same time preserve your resources. **Up to 30% higher performance.**

SUPER-THIN CUT-OFF WHEELS

Type 1



90°

Right Angle
Grinder



Tyrolit PREMIUM Super Thin Cutting Wheels for Aluminum & Stone-Type 1



- Silicon carbide grain
- High performance cut-off wheels especially for aluminum, concrete and stone
- Fast cutting times on aluminum, bronze, aluminum alloys, copper, brass, nickel, and titanium.
- Also suitable for cutting masonry materials
- Consistent free cutting wheel utilizing a non-loading bond.

★★★

SIZE	Specification	Max RPM	Material #	Cat #	Unit Pkg. Qty.	List Price
4-1/2" x .040 x 7/8"	C46S-BFXA	13280	337383	14271	25	\$2.87



Tyrolit PREMIUM 2 in 1 Wheels for Steel & Stainless Steel-Type 27



- Aluminum oxide grain
- Ultimate performance characteristics in cutting material made of rust and acid resistant steels
- Contaminate-free of iron, sulfur and chlorine, <0.1%
- Depressed center configuration

★★★

SIZE	Specification	Max RPM	Material #	Cat #	Unit Pkg. Qty.	List Price
4-1/2" x .060 x 7/8"	A60Q-BFXA	13280	34332928	77263	25	\$3.57
5" x .040 x 7/8"	A60Q-BFXA	12220	34332929	79285	25	\$3.68
5" x .060 x 7/8"	A60Q-BFXA	12220	34332929	79285	25	\$3.68
6" x .045 x 7/8"	A60Q-BFXA	10200	34332930	47672	25	\$3.90



Tyrolit PREMIUM INOX Wheels for Stainless Steel & Acid-Resistant Steel-Type 27



- Aluminum oxide grain
- Ultimate performance wheel for cutting steel and stainless steel
- For cutting thin-wall metal sheets, profiles and tubes
- Contaminate-free of iron, sulfur and chlorine, <0.1%
- Depressed center configuration

★★★

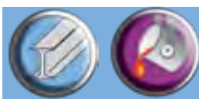
SIZE	Specification	Max RPM	Material #	Cat #	Unit Pkg. Qty.	List Price
4-1/2" x .045 x 7/8"	TA60P-BFXA	13280	34332928	77263	25	\$3.57
5" x .045 x 7/8"	TA60P-BFXA	12220	34332929	79285	25	\$3.68

Type 27



Right Angle
Grinder

SMALL DIAMETER CUT-OFF WHEELS



Tyrolit BASIC Small Diameter Cut-Off Wheels - Side Reinforced for Steel and Cast Materials-Type 1



- Aluminum oxide grain
- General purpose cutting wheel for all metals
- Side reinforced for increased life
- For cutting thinwall material and deburring
- **A36** for fast cutting on rough applications
- **A60** for smooth, burr-free cuts



Type 1



Straight grinder

SIZE	Max RPM	Coarse A36 Material #	Coarse A36 Cat #	Pkg Qty	Med/Fine A60 Material #	Med/Fine A60 Cat #	Pkg Qty	List Price
3" x 1/16" x 1/4"	25,000	34312842	50038	100	34312887	93368	40	\$1.66
3" x 1/16" x 3/8"	25,000	34312843	93298	40	34312888	44557	40	\$1.66
3" x 3/32" x 1/4"	25,000	34312844	79373	25	34312890	93378	25	\$1.74
3" x 3/32" x 3/8"	25,000	34312846	54079	50	34312892	93813	50	\$1.74
3" x 1/8" x 3/8"	25,000	34312848	93340	50	34312895	93814	50	\$2.15
4" x 1/16" x 1/4"	19,100	34312855	93362	40	34312904	93815	100	\$2.36
4" x 1/16" x 3/8"	19,100	34312856	93364	40	34312905	47628	100	\$2.36
4" x 1/16" x 5/8"	19,100	34312857	79401	40	34312908	93816	40	\$2.36
4" x 1/8" x 3/8"	19,100	34312859	93367	25	34312925	93817	50	\$2.48

1/4" Metal Adapter

Part #	Cat #	List Price
20010606	70030	\$14.07

3/8" Metal Adapter

Part #	Cat #	List Price
20010607	70031	\$ 17.61



Tyrolit BASIC Portable Electric Saw Wheels for Steel-Type 1



- Aluminum oxide grain
- Designed for cutting all ferrous metals (or masonry, concrete option) with portable circular saws
- General purpose wheel with good cut rates and life
- Integrated diamond knockout adapter



SIZE	Specification	Max RPM	Material #	Cat #	Unit Pkg. Qty.	List Price
7" x 1/8" x 5/8"	A30BF	8600	34301855	93818	25	\$3.62
8" x 1/8" x 5/8"	A30BF	7650	34301859	93848	25	\$4.60
Portable Electric Saw Wheels for Masonry-Type 1						
7" x 1/8" x 5/8"	C30BF	8600	34301858	45189	25	\$3.77



Type 1



Electric Circular Saw



Tyrolit BASIC Chop Saw Wheels for Steel-Type 1



- **Single Reinforced-General Purpose**-fast, burr-free cuts in metal and cutting steel studs, rebar and lighter gauge metals
- **Double Reinforced-Premium**-Suited for cutting steel studs
- Also good for rebar and lighter gauge metals. Fast cutting and very good wheel life



Single Reinforced-General Purpose						
SIZE	Specification	Max RPM	Material #	Cat #	Unit Pkg. Qty.	List Price
12" x 7/64" x 1"	A36BF	5100	34301875	93857	10	\$6.57
14" x 7/64" x 1"	A36BF	4400	34301893	93890	10	\$7.69
Double Reinforced-Premium						
12" x 3/32" x 1"	A36BF	5100	34301872	37503	10	\$8.01
14" x 3/32" x 1"	A36BF	4400	34301891	79442	10	\$9.65
16" x 3/32" x 1"	A36BF	3850	34301895	93897	10	\$13.64



Type 1



Chop Saw
Low HP Machines

HIGH SPEED CUT-OFF WHEELS



Type 1



High Speed
Gas & Portable
Saws



Tyrolit BASIC Heavy Duty High Speed Gas & Portable Saw Wheels for Steel-Type 1



- Aluminum oxide grain
- Designed for all ferrous metals
- A free cutting wheel with exceptional cut rate and very good life
- Triple-reinforced for stability and safety



SIZE	Specification	Max RPM	Material #	Cat #	Unit Pkg. Qty.	List Price
12" x 1/8" x UNV	A30BF/100	5500	34169155	53056	10	\$9.08
14" x 1/8" x UNV	A30BF/100	5500	34169156	51567	10	\$13.36
16" x 1/8" x UNV	A30BF/100	5100	34169157	65475	10	\$24.27

UNV
Universal Arbor
(1" & 20mm)



Tyrolit BASIC Heavy Duty High Speed Gas & Portable Saw Wheels for Ductile/Cast Iron & Asphalt-Type 1



- Aluminum oxide/silicon carbide blend
- Designed for ductile pipe, asphalt and cast iron
- Exceptional cut rate and life
- Triple-reinforced for stability and safety



SIZE	Specification	Max RPM	Material #	Cat #	Unit Pkg. Qty.	List Price
12" x 1/8" x UNV	AC30BF/100	5500	34169183	65482	10	\$9.08
14" x 1/8" x UNV	AC30BF/100	5500	34169184	51568	10	\$13.36
16" x 1/8" x UNV	AC30BF/100	5100	34169185	65483	10	\$24.27



Tyrolit BASIC Heavy Duty High Speed Gas & Portable Saw Wheels for Masonry & Concrete-Type 1



- Silicon carbide grain
- Designed for cutting concrete, masonry, stone, brick and PVC pipe
- Exceptional cut rate and very long life
- Triple-reinforced for stability and safety



SIZE	Specification	Max RPM	Material #	Cat #	Unit Pkg. Qty.	List Price
12" x 1/8" x UNV	C30BF/100	5500	34169159	65485	10	\$9.08
14" x 1/8" x UNV	C30BF/100	5500	34169160	51573	10	\$13.36
16" x 1/8" x UNV	C30BF/100	5100	34169182	65493	10	\$24.27

HIGH SPEED CUT-OFF WHEELS



Tyrolit PREMIUM High Speed Gas & Electric Saw Wheels for Steel-Type 1



- Premium aluminum oxide grain
- When increased productivity is required in cutting all ferrous metals, structural steels, rebar and metal decking.
- Good for rail cutting applications
- Superior cut rate and wheel life

★★★

SIZE	Specification	Max RPM	Material #	Cat #	Unit Pkg. Qty.	List Price
12" x 1/8" x 1"	A30P/100	5100	20010511	64192	10	\$14.05
12" x 1/8" x 20mm	A30P/100	5100	20010520	64193	10	\$14.05
14" x 1/8" x 1"	A30P/100	4400	20010509	64194	10	\$18.73
14" x 1/8" x 20mm	A30P/100	4400	20010510	64195	10	\$18.73

Type 1



**High Speed
Gas & Portable
Saws**



Tyrolit PREMIUM High Speed Gas & Electric Saw Wheels for Ductile/Cast Iron & Asphalt-Type 1



- Premium aluminum oxide/silicon carbide grain
- When increased productivity is required in cutting ductile pipe, cast iron and asphalt
- Superior cut rate and wheel life

★★★

SIZE	Specification	Max RPM	Material #	Cat #	Unit Pkg. Qty.	List Price
12" x 1/8" x 1"	AC24/100	5100	20010513	64196	10	\$14.05
12" x 1/8" x 20mm	AC24/100	5100	20010514	64197	10	\$14.05
14" x 1/8" x 1"	AC24/100	4400	20010515	64198	10	\$18.73
14" x 1/8" x 20mm	AC24/100	4400	20010516	64199	10	\$18.73



Tyrolit PREMIUM High Speed Gas & Portable Saw Wheels for Masonry & Concrete-Type 1



- Premium silicon carbide grain
- When increased productivity is required in cutting concrete, masonry, stone and PVC pipe
- Superior cut rate and wheel life

★★★

SIZE	Specification	Max RPM	Material #	Cat #	Unit Pkg. Qty.	List Price
12" x 1/8" x 1"	1C24/100	5100	20010517	64200	10	\$14.05
12" x 1/8" x 20mm	1C24/100	5100	20010518	64202	10	\$14.05
14" x 1/8" x 1"	1C24/100	4400	20010519	64203	10	\$18.73
14" x 1/8" x 20mm	1C24/100	4400	20010521	64204	10	\$18.73

CUT-OFF WHEELS

Type 1



Tyrolit BASIC Stationary Cut-Off Wheels for Steel-Type 1



- Aluminum oxide grain
- General purpose cut-off wheels designed for higher horsepower stationary cut-off machines
- Designed to make straight cuts in structural steel, solids, pipe and tubing



SIZE	Specification	Max RPM	Material #	Cat #	Unit Pkg. Qty.	List Price
10" x 1/8" x 5/8"	A30BF	6150	34337101	93966	10	\$10.03
10" 1/8" x 1"	A30BF	6150	34337102	94000	10	\$10.03
12" x 1/8" x 1"	A30BF	5100	34312945	94069	10	\$11.44
14" x 1/8" x 1"	A30BF	4400	34301892	94078	10	\$14.55
16" x 1/8" x 1"	A30BF	3850	34301897	47009	10	\$17.97
16" x 5/32" x 1"	A30BF	3850	34301898	88583	10	\$20.58
18" x 5/32" x 1"	A30BF	3400	34301899	53967	10	\$30.55
20" x 5/32" x 1"	A30BF	3100	34301900	47021	10	\$38.18



Tyrolit BASIC Stationary Cut-Off Wheels for Masonry/Concrete-Type 1



- Silicon carbide grain
- General purpose cut-off wheels designed for higher horsepower stationary cut-off machines
- Designed to make straight cuts in masonry, concrete, stone and brick



SIZE	Specification	Max RPM	Material #	Cat #	Unit Pkg. Qty.	List Price
12" x 1/8" x 1"	C30BF	5100	34337103	94115	10	\$11.57
14" x 1/8" x 1"	C30BF	4400	34301894	94116	10	\$16.45



Tyrolit BASIC Cold & Hot Pressed Walk Behind Wheels for Concrete-Type 1



- Silicon carbide grain-designed for cutting concrete, masonry, brick on all low HP walk-behind machines
- Fast cutting and good life with triple reinforcement for added safety
- Hot pressed wheels combine fast cutting action with extremely long life
- The hot press process enhances wheel life and strength-use on <18HP
- Suitable for concrete, green concrete and asphalt



SIZE	Specification	Max RPM	Material #	Cat #	Unit Pkg. Qty.	List Price
14" x 3/16" x 1"	CP	4400	34312948	45186	10	\$17.38
14" x 1/4" x 1"	CP	4400	ABCH14250	34912	5	\$21.13
18" x 1/4" x 1"	CP	3400	ABCC18250	37741	10	\$82.19
Hot Pressed Walk Behind Wheels for Concrete-Type 1						
14" x 3/16" x 1"	CHP	4400	30015060	59631	5	\$50.68
14" x 1/4" x 1"	CHP	4400	30015061	59632	5	\$56.23
18" x 1/4" x 1"	CHP	3400	30015062	59633	5	\$98.07



Tyrolit BASIC Cold Pressed Walk Behind Wheels for Asphalt & Green Concrete-Type 1



- Silicon carbide grain
- Designed for cutting asphalt and green concrete on all low HP walk-behind saws <18HP
- All wheels have drive pin hole



SIZE	Specification	Max RPM	Material #	Cat #	Unit Pkg. Qty.	List Price
14" 3/16" x 1"	CP	4400	34328118	45187	10	\$17.38

Type 1





Tyrolit BASIC 2 in 1 Zirconia Flap Discs for Steel and Stainless Steel-Type 29



- General purpose, economically priced flap disc
- Zirconium grain
- Suitable for grinding, deburring, trimming, beveling, cleaning and surface conditioning
- Good for all metals
- Contaminant-free/ iron, sulfur and chlorine <0.1%



Type 29



**15°
Right Angle
Grinder**

SIZE	Specification	Max RPM	Material #	Cat #	Unit Pkg. Qty.	List Price
4" x 5/8"	ZA40-B	15270	34334377	94140	10	\$4.93
4" x 5/8"	ZA60-B	15270	34335384	94141	10	\$4.93
4" x 5/8"	ZA80-B	15270	34335385	94142	10	\$4.93
4-1/2" x 7/8"	ZA40-B	13280	34335386	54121	10	\$5.08
4-1/2" x 7/8"	ZA60-B	13280	34335388	94146	10	\$5.08
4-1/2" x 7/8"	ZA80-B	13280	34335390	94147	10	\$5.08
5" x 7/8"	ZA40-B	13280	34335741	94149	10	\$5.78
5" x 7/8"	ZA60-B	13280	34335743	94154	10	\$5.78
5" x 7/8"	ZA80-B	13280	34335745	79421	10	\$5.78



Tyrolit PREMIUM Zirconia Flap Discs for Steel and Stainless Steel-Type 27



- Premium zirconium grain
- Suitable for grinding work, deburring, trimming, beveling, cleaning and surface conditioning
- Extremely long life compared to aluminum oxide discs
- Aggressive and fast cutting
- Suitable for grinding steel, stainless steel and cast materials
- Contaminant-free of iron, sulfur and chlorine, <0.1%



Type 27



**30°
Right Angle
Grinder**

SIZE	Specification	Max RPM	Material #	Cat #	Unit Pkg. Qty.	List Price
4-1/2" x 7/8"	ZA40-B	13280	34334161	94155	10	\$8.47
4-1/2" x 7/8"	ZA60-B	13280	34334163	94156	10	\$8.47
4-1/2" x 7/8"	ZA80-B	13280	34334165	46938	10	\$8.47
4-1/2" x 7/8"	ZA40-B (plastic back)	13280	34333927	94157	10	\$7.62
4-1/2" x 7/8"	ZA60-B (plastic back)	13280	34333965	94158	10	\$7.62
4-1/2" x 7/8"	ZA80-B (plastic back)	13280	34334029	94159	10	\$7.62

FLAP DISCS



Tyrolit PREMIUM Zirconia Flap Discs for Steel and Stainless Steel-Type 29



- Premium zirconium grain
- Suitable for grinding work, deburring, trimming, beveling, cleaning and surface conditioning
- Extremely long life compared to aluminum oxide discs
- Aggressive and fast cutting
- Suitable for grinding steel, stainless steel and cast materials
- Contaminate-free of iron, sulfur and chlorine, <0.1%



Type 29



15°

Right Angle
Grinder

SIZE	Specification	Max RPM	Material #	Cat #	Unit Pkg. Qty.	List Price
4-1/2" x 7/8"	ZA40-B	13280	34334120	68890	10	\$8.47
4-1/2" x 7/8"	ZA60-B	13280	34334676	46964	10	\$8.47
4-1/2" x 7/8"	ZA80-B	13280	34334145	59859	10	\$8.47
4-1/2" x 5/8"-11	ZA40-B	13280	34334141	94168	10	\$11.22
4-1/2" x 5/8"-11	ZA60-B	13280	34334677	94169	10	\$11.22
4-1/2" x 5/8"-11	ZA80-B	13280	34334149	94170	10	\$11.22
4-1/2" x 5/8"-11	ZA120-B	13280	34334679	74370	10	\$11.22
5" x 7/8"	ZA40-B	12220	34334680	94171	10	\$10.92
5" x 7/8"	ZA60-B	12220	34334126	47330	10	\$10.62
5" x 7/8"	ZA80-B	12220	34334128	47327	10	\$10.62
6" x 7/8"	ZA40-B	10200	34334684	94172	10	\$13.36
6" x 7/8"	ZA60-B	10200	34334686	94173	10	\$13.36



Tyrolit PREMIUM High Density JUMBO Zirconia Flap Discs for Steel and Stainless Steel-Type 29



- Premium zirconium grain
- Suitable for grinding work, deburring, trimming, beveling, cleaning and surface conditioning
- **Ultra long life** compared to aluminum oxide discs
- Aggressive and fast cutting
- Suitable for grinding steel, stainless steel and cast materials
- Contaminate-free of iron, sulfur and chlorine, <0.1%

SIZE	Specification	Max RPM	Material #	Cat #	Unit Pkg. Qty.	List Price
4-1/2" x 7/8"	ZA40-B	13280	34299592	64502	10	\$10.49
4-1/2" x 5/8"-11	ZA40	13280	34334098	19209	10	13.13



Tyrolit PREMIUM Resin Fiber Discs- Aluminum Oxide for Steel



- General purpose aluminum oxide disc for light to medium sanding and finishing applications
- Suitable for ferrous and/or non-ferrous metals

SIZE	Specification	Max RPM	Material #	Cat #	Unit Pkg. Qty.	List Price
4-1/2" x 7/8"	A24	13000	30010278	60773	25	\$1.47
4-1/2" x 7/8"	A36	13000	30010279	58874	25	\$1.36
4-1/2" x 7/8"	A50	13000	30010281	60774	25	\$1.29
4-1/2" x 7/8"	A120	13000	30010286	60776	25	\$1.18
5" x 7/8"	A24	11900	30010290	62325	25	\$1.62
5" x 7/8"	A36	11900	30010291	61098	25	\$1.56
5" x 7/8"	A60	11900	30010293	64606	25	\$1.42
5" x 7/8"	A80	11900	30010294	62326	25	\$1.32
7" x 7/8"	A16	8500	30010298	62834	25	\$2.78
7" x 7/8"	A36	8500	30010301	59361	25	\$2.36



**Right Angle
Grinder**



Tyrolit PREMIUM Resin Fiber Discs- Zirconia for Metal & Cast Materials



- Heavy duty zirconia grain disc for tough sanding and finishing applications
- Suitable for ferrous and/or non-ferrous metals

SIZE	Specification	Max RPM	Material #	Cat #	Unit Pkg. Qty.	List Price
4-1/2" x 7/8"	ZA24	13000	30010310	66358	25	\$2.25
4-1/2" x 7/8"	ZA36	13000	30010311	60271	25	\$2.08
4-1/2" x 7/8"	ZA60	13000	30010313	60223	25	\$1.82
5" x 7/8"	ZA36	11900	30010318	65034	25	\$2.25
5" x 7/8"	ZA50	11900	30010319	60827	25	\$2.08
5" x 7/8"	ZA60	11900	30010320	65033	25	\$2.01



**Right Angle
Grinder**

Backing Pads				
SIZE	Material #	Cat #	Unit Pkg. Qty.	List Price
4-1/2"	44878	64970	1	\$11.67
5"	44879	68811	1	\$14.38
7"	44880	64548	1	\$19.87

Nut for Backing Pad		
Part #	Cat #	List Price
256827	60272	\$2.02



Spindle Mounted Wire Brushes for Steel



**Straight
Grinder**



- For use on portable tools and die grinders
- 1/4" diameter shank
- Designed for use in cleaning and finishing recessed areas and pipes for aggressive cutting and deburring

Knot Type Steel Wire								
Diameter	Wire Size	Trim Length	Overall Length	Max RPM	Material #	Cat #	Unit Pkg. Qty.	List Price
3/4"	.020	1.20	2.80	20000	52685	63573	25	\$20.27
1-1/8"	.020	1.20	2.80	20000	52680	63574	25	\$23.88
Crimped Steel Wire								
Diameter	Wire Size	Trim Length	Overall Length	Max RPM	Material #	Cat #	Unit Pkg. Qty.	List Price
3/4"	.020	.86	2.60	20000	52679	63575	25	\$6.09
1"	.020	1.0	2.70	20000	890722	63576	25	\$7.16
Circular Flared Steel Wire								
Diameter	Wire Size	Trim Length	Overall Length	Max RPM	Material #	Cat #	Unit Pkg. Qty.	List Price
2"	.012	.50	0.50	20000	890845	64424	25	\$8.20
3"	.012	.60	0.75	20000	890848	63577	25	\$10.82



Crimped Wire Cup Brushes for Steel



**Right
Angle
Grinders**



- For use on right angle grinders
- 5/8"-11 threaded arbor
- Designed for heavy cutting, deburring, weld prep and rust removal
- Fast, aggressive cutting action
- Crimped wire for greater flexibility and light cleaning and material removal, especially for irregular surfaces. Available in carbon or stainless steel wire

Crimped Wire Brushes for Steel							
Diameter	Wire Size	Arbor	Max RPM	Material #	Cat #	Unit Pkg. Qty.	List Price
2-3/4"	.012	5/8-11	12000	52666	60071	1	\$11.07
4"	.014	5/8-11	9000	896251	80418	1	\$34.62
5"	.020	5/8-11	6500	896253	77633	1	\$42.64
6"	.020	5/8-11	6000	896254	76578	1	\$46.36



Knot Wire Cup Brushes for Steel or Stainless Steel



**Right
Angle
Grinders**



- For use on right angle grinders
- 5/8"-11 threaded arbor
- Designed for heavy cutting, deburring, weld prep and rust removal
- Fast, aggressive cutting action
- Weld or large area cleaning

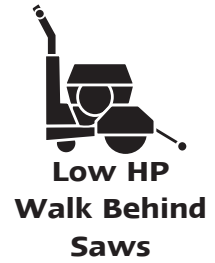
Knot Wire Cup Brushes for Steel							
Diameter	Wire Size	Arbor	Max RP	Material #	Cat #	Unit Pkg. Qty.	List Price
2-3/4"	.020	5/8-11	12000	52672	60072	1	\$16.76
4"	.020	5/8-11	9000	52673	61851	1	\$34.70
5"	.020	5/8-11	6500	52675	58778	1	\$55.13
6"	.020	5/8-11	6000	52678	79856	1	\$57.93
Knot Wire Cup Brushes for INOX/Stainless							
Diameter	Wire Size	Arbor	Max RPM	Material #	Cat #	Unit Pkg. Qty.	List Price
2-3/4"	.020	5/8-11	12000	52676	60463	1	\$27.58
4"	.020	5/8-11	9000	52677	64591	1	\$69.90
Wire Cup Adapters							
Adapter Size	Adapts To	Material #	Cat #	Unit Pkg. Qty.	List Price		
M10 x 1.50 to 5/8"-11	B&D, Hitachi, Skil	20011964	73998	1	\$9.62		
3/8-24 to 5/8"-11	Air Tools	20011965	68002	1	\$9.62		



Tyrolit PREMIUM Wire Brushes for Joint Crack Cleaning for Concrete-Type 1



- For use on small, low horsepower walk behind saws
- Designed for cleaning concrete expansion joints
- Maximum RPM-5,000



Diameter	Wire Size	Arbor	Max RPM	Material #	Cat #	Unit Pkg. Qty.	List Price
12" x .625 with drive pin	.035	1"	5000	896247	76619	2	\$125.96



Tyrolit PREMIUM Twist Knot Wire Wheels for Steel or Stainless Steel



- For use on small side grinders
- **Regular Twist Knot**-provides low flexibility and aggressive cutting and cleaning
- **Stringer Bead Twist Knot**-provides more aggressive cleaning and cutting for the most demanding applications
- Designed for welds, flux removal and applications where a narrow face is required



Regular Twist Knot Wire Wheels For Steel							
Diameter	Wire Size	Arbor	Max RPM	Material #	Cat #	Unit Pkg. Qty.	List Price
4"	.014	5/8"-11	12000	52693	62674	1	\$21.01
6"	.020	5/8"-11	9000	52697	59670	1	\$44.14
Stringer Bead Knot Wire Wheels For Steel							
4"	.020	5/8"-11	12000	52694	61506	1	\$27.83
6"	.020	5/8"-11	9000	52699	61099	1	\$48.36
Regular Twist Knot Wire Wheels For INOX/Stainless							
6"	.020	5/8"-11	9000	52702	68618	1	\$68.12
Stringer Bead Knot Wire Wheels For INOX/Stainless							
4"	.020	5/8"-11	12000	52700	62321	1	\$41.65



Flaring Cup Wheels for Steel & Masonry



- Aluminum oxide grain
- For use on right angle grinders
- Coarse 16 or 24 grit wheel for demanding grinding applications
- Heavy stock removal on all ferrous metals



**Right Angle
Grinders**

XPERT Flaring Cup Wheels for Metal-Type 11							
SIZE	Specification	Max RPM	Material #	Cat #	Unit Pkg. Qty.	List Price	
4" x 2" x 5/8"-11	A24PB (24 grit)	9050	2010525	65500	1	\$21.18	
5" x 2" x 5/8"-11	A24PB (24 grit)	7260	20006831	59295	1	\$26.54	
6" x 2" x 5/8"-11	A16PB (16 grit)	6050	20006824	59010	1	\$30.79	
6" x 2" x 5/8"-11	A24PB (24 grit)	6050	20006829	59296	1	\$30.79	
XPERT Flaring Cup Wheels for Masonry & Concrete-Type 11							
SIZE	Specification	Max RPM	Material #	Cat #	Unit Pkg. Qty.	List Price	
4" x 2" x 5/8"-11	C16PB (16 grit)	9050	2010526	65501	1	\$23.20	
5" x 2" x 5/8"-11	C16PB (16 grit)	7250	2010524	65499	1	\$30.44	
6" x 2" x 5/8"-11	C16PB (16 grit)	6050	20006823	59147	1	\$35.17	

BLOCKS, STONES & GRINDING WHEELS



Rubbing Blocks & Grinding Stones for Concrete/Masonry



- **Rubbing Blocks**-long life and good performance for removing mold and form marks, cleaning castings and smoothing concrete surfaces-comes with or without handle
- **Grinding Stones**-for removal and/or grinding concrete imperfections, uneven joints or smoothing exposed aggregate
- Available in : **Coarse** (fast removal), **Medium** (finish grinding) or **Fine** (smoothing surfaces)

Grinding Stones Can Be Used on the CC200 Floor Grinder



Hand Tool

Rubbing Blocks					
SIZE/DESCRIPTION	Material #	Cat #	Unit Pkg. Qty.	List Price	
6" x 3" x 1" with handle	ABRBH-HR252	35064	5	\$36.27	
8" x 3-1/2" x 1-1/2" with handle	ABRBH-HR250	35065	5	\$44.50	
8" x 2" x 2" fluted without handle	ABRBF-HR242	35062	6	\$24.10	
Grinding Stones					
SIZE	Grit	Material #	Cat #	Unit Pkg. Qty.	List Price
2" x 2" x 4"	Coarse	ABCH-10	35067	6	\$12.41
2" x 2" x 4"	Medium	ABCH-24	35063	6	\$12.41
2" x 2" x 4"	Fine	ABCH-80	35066	6	\$12.41



Side Grinders



Zec and Semi-Flexible Grinding Discs for Concrete/Masonry



- **Zec® Disc**-16 grit silicon carbide, minimal loading, ideal for grinding concrete, masonry and stone along with adhesives from concrete
- No backup pad needed
- **Semi-Flex Disc**-16, 24, 36, 60, 80 & 120 grit silicon carbide-a lower cost alternative to plastic-backed Zec wheels
- Must be used with backup pads (See page 241)

ZEC® Grinding Disc-No Backup Pad Required						
SIZE	Grit	Max RPM	Material #	Cat #	Unit Pkg. Qty.	List Price
4-1/2" x 7/8"	16-Grit Silicon	13280	SCGD4500	58155	5	\$14.65
7" x 7/8"	16-Grit Silicon	8600	SCGD7000	58154	5	\$17.05
General Purpose Grinding Disc-Must Be Used with Backup Pad-See page 241 for Backup Pads						
4-1/2" x 7/8"	16-Grit Silicon	13280	20016050	21271	25	\$9.92
4-1/2" x 7/8"	24-Grit Silicon	13280	20016051	21273	25	\$9.92
4-1/2" x 7/8"	36-Grit Silicon	13280	20016052	21274	25	\$9.92
4-1/2" x 7/8"	60-Grit Silicon	13280	20016056	36562	25	\$9.92
4-1/2" x 7/8"	80-Grit Silicon	13280	20016057	36563	25	\$9.92
4-1/2" x 7/8"	120-Grit Silicon	13280	20016058	36564	25	\$9.92
7" x 7/8"	16-Grit Silicon	8600	20016053	21282	25	\$13.59
7" x 7/8"	24-Grit Silicon	8600	20016054	21275	25	\$13.59
7" x 7/8"	36-Grit Silicon	8600	20016055	21276	25	\$13.59

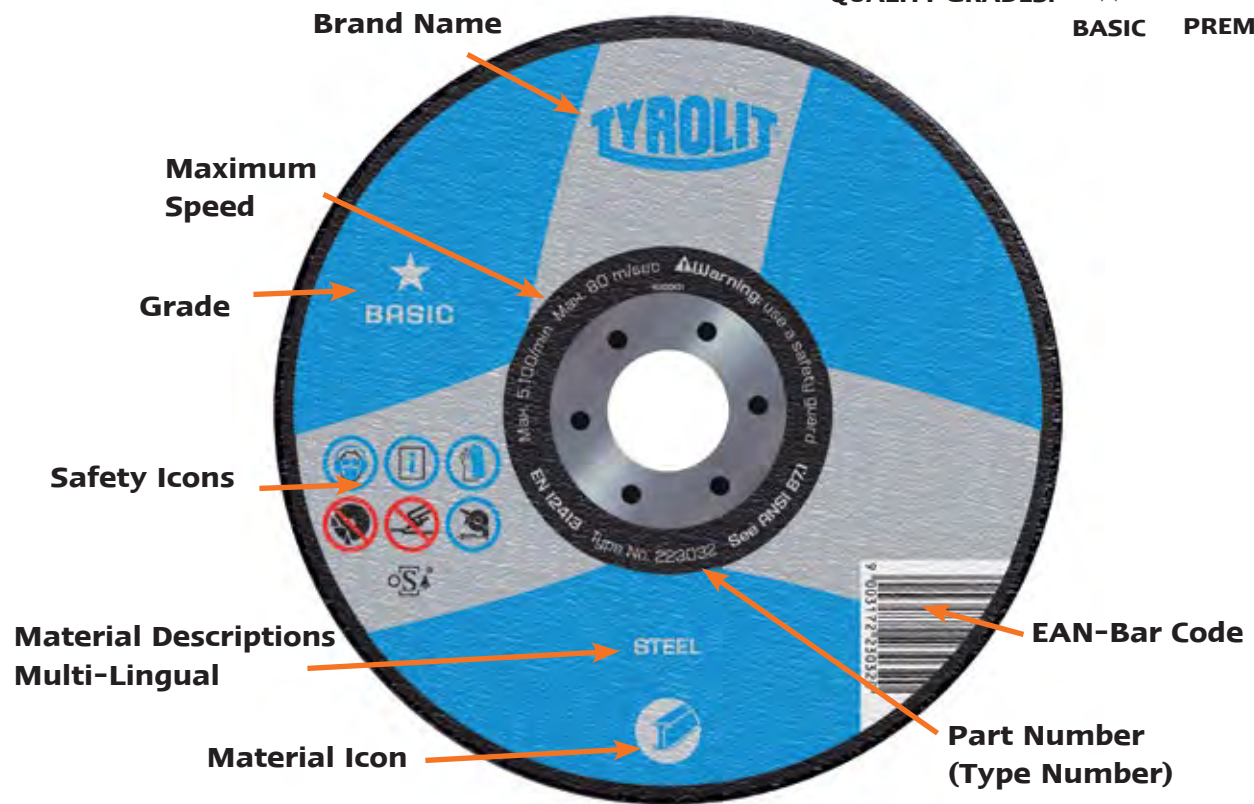
Backing Pads				
SIZE	Material #	Cat #	Unit Pkg. Qty.	List Price
4-1/2"	44878	64970	1	\$11.67
5"	44879	68811	1	\$14.38
7"	44880	64548	1	\$19.87

Nut for Zec® Disc		
Part #	Cat #	List Price
SCGD-NUT	60210	\$17.61



LABEL MARKINGS

QUALITY GRADES: ★ BASIC ★★ ★ PREMIUM



PC6004EC HIGHWAY GRINDER



50" Cutting Width

Diesel

Features/Benefits:

- Designed for high production grinding/profiling of concrete and asphalt pavements
- Centrally located operator station allows for either left or right side operation
- Can be operated manually or with computer controlled cruise control system that automatically adjusts forward speed to cutting conditions
- Equipped with odometer that measures total footage (meters) ground and has a resettable daily production odometer and feet (meters) per minute indicator
- On board slurry vacuum and discharge system
- Depth control wheel assemblies are side to side adjustable for accurate cut matching
- Hydraulically controlled depth control wheels
- Front wheel bogey assembly is adjustable to optimize cutting plane based on job conditions
- Can be transported with standard 3-axle semi tractor.
- On board 2200-gallon (8327 L) water tank with hydraulically driven water pump. On board water filtration is provided. Water system plumbing and spray bar are stainless steel to eliminate system rust.



PC6004EC Grinder



The **PC6004EC Highway Grinder** brings proven and patented closed loop control to the field of highway diamond grinding. Custom designed and built at our Nampa, Idaho Facility. The revolutionary PC6000 is state-of-the-art in highway grinding efficiency.

A full industrial computer acts as an operator interface for the machine allowing the operator to monitor conditions and adjust set points as needed.

Call 1-800-225-0142 for more information and pricing.

PC6004EC HIGHWAY GRINDER



Specifications:

- Main Engine:** Caterpillar® C18 630HP (469.7Kw) Turbocharged and air to air after-cooled electronically controlled diesel engine. Meets U.S. EPA Tier 4 Final and EU Stage IV emission. Fuel consumption is approximately 30GPH (113 LPH) @ 1900RPM.
- Auxiliary Engine:** Caterpillar® C4.4 148HP (110.3Kw) Turbocharged and air-to-air after-cooled electronically controlled diesel engine. Meets U.S. EPA Tier 4 Final and EU Stage IV emission. Fuel consumption is approximately 9GPH (34 LPH) @ 2200 RPM.
- Dimensions:** Length: 49' (14.9 Meters) Width: 104"(264.1CM)
- Height:** 152"(386.08CM)
- Weight:** 56,000 lbs. (25,401 Kg) with blade shaft installed and full fuel tank, 75,000 lbs. (34,020 Kg) with full water tank. Note: The PC6000 is a legal load with water tank empty when attached for transport to a standard 3-axle semi-tractor. Axle loads are approximately, 25,000lbs(11,340 Kg) on machine tandems, 25,000lbs(11,340Kg) on semi-tractor tandems. U.S. standard air brake and light connections are provided.
- Blade shaft Drive:** Engine power is transmitted to blade shaft through an Electro/Hydraulic fluid clutch, heavy duty coupling, right angle drive and two Poly Chain GT Carbon belts
- Cutting Width:** 50" (127Cm)
- Blade shaft:** 8"(20.32Cm) diameter with 2 key ways
- Blade shaft Speed:** Low 1315 RPM, High 1900 RPM
- Blade Capacity:** 16"(40.64Cm) or 18"(45.72Cm) diameter blades may be used. Quantity is dependent on blade spacing requirements.
- Travel Speed:** Maximum travel speed 250 FPM (76.2mpm) forward/Reverse. Cutting/Grinding speed depends upon blade selection, amount of material being removed and hardness of the material.
- Fuel Capacity:** 450 Gallon (1703.25L) Note: Single tank supplies fuel to both engines
- Hydraulic Oil Capacity:** 100 Gallon (378.5L) Note: Hydraulic tank has in tank mounted return oil filtration. Air over oil coolers are mounted to main engine radiator to provide hydraulic oil, Fuel and fluid clutch cooling.
- Hydraulic Systems:**
- Ground drive:** Closed loop electronically controlled hydrostatic pump drives two piston motors that are mounted to two Torque hubs on traction frame.
- Vacuum System Drive:** Open loop electronically controlled with soft start valve..
- Auxiliary Drive:** Open loop. Auxiliary functions such as cutting head raise/lower, slurry pump on/off are electronically controlled. Some other functions are manually controlled such as landing legs and front bogey slide.
- Steering:** Power steering is standard.
- Instrumentation:** Full complement of engine and machine monitoring
Instrumentation and machine controls are located at operator's station.
Instrumentation and controls includes safety shutdowns and alarms on engine, hydraulic system and transmission
- Lighting:** Full complement of work lights, safety beacons and flashers for night operations.

PC4504 PAVEMENT BUMP GRINDER



50" Cutting Width

Diesel



MADE IN THE
U.S.A.

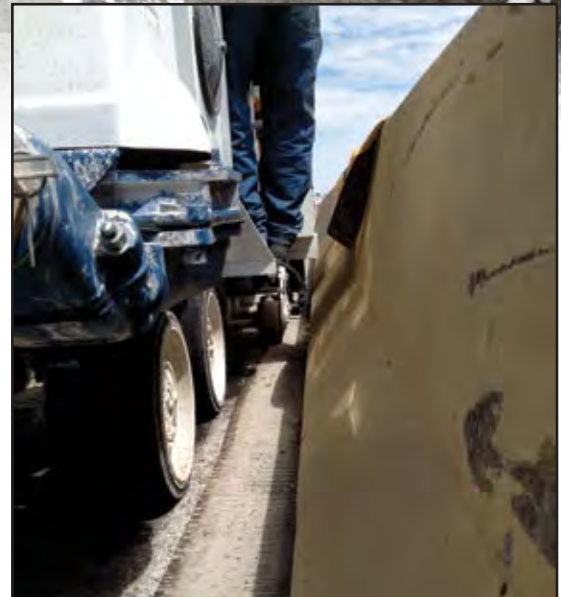
Features & Benefits:

- High Production pavement grinding on either concrete or asphalt.
- Designed for small continuous grinding projects or bump grinding.
- Can be operated manually or with computer controlled cruise control system that automatically adjusts forward speed to cutting conditions.
- Equipped with odometer that measures total footage (meters) ground and has a resettable daily production odometer and feet (meters) per minute indicator.
- On board slurry vacuum and discharge system.
- Hydraulically controlled depth control wheels.
- Depth control wheels are side to side adjustable for accurate cut matching.
- Designed to grind within 9.5 inches (24.1cm) of curb face and raised medians.
- The PC4500 is excellent for Urban/City Street grinding projects.
- Stainless steel fresh water system

CE
Certified

Call 1-800-225-0142 for more
information and pricing.

PC4504 PAVEMENT BUMP GRINDER



Ability to grind close to barrier walls and curb

Specifications:

- Engine:** Caterpillar® C18, 575 HP @ 2100 RPM, Turbocharged and after-cooled electronically controlled diesel engine. Meets U.S. EPA Tier 4, EU Stage IV emission requirements. Fuel capacity: 220 Gallons (832 Liters), Fuel consumption: 28.3 GPH
- Dimensions:** Length: 30', Width: 7', Height: 9'6", Weight: 46,500 lbs (21, 092Kg)
- Blade Capacity:** 18" diamond blades
- Blade shaft Drive:** Engine power is transmitted to blade shaft through a fluid clutch/hydraulic pump drive gearbox. A single Poly Chain GT Carbon belt drives blade shaft.
- Cut Width:** 50 inches (127cm)
- Blade shaft:** 8" (20.32cm) diameter with 2 keyways
- Blade shaft Speeds:** High range-1,900 RPM, Low range-1,315 RPM
- Propulsion:** 4 hydraulic wheel motor assemblies with integral brake and two speed function speed is 0-250 feet per minute forward/reverse

Controls/Instrumentation:

- Electronic joystick forward/reverse control
- Engine voltage meter
- Safety shutdowns and alarms on engine, hydraulic system and transmission
- Coolant pressure gauge and alarm

- Engine instrumentation includes, Tachometer, oil pressure
- Water temp, Hour meter, and Amp meter
- Hydraulic system pressure monitoring gauge
- Lighted for night operation, Safety Beacons and backup alarm



TBG134C BRIDGE DECK GROOVER



MADE IN THE U.S.A.

An improved version of the TBG130B, the **TBG134C Bridge Deck Groover** delivers more productivity, reduced grooving costs and less downtime. Redesigned hydraulics for maximum efficiency and ease of maintenance.

Call 1-800-225-0142 for more information and pricing.

TBG134C Bridge Groover

Features & Benefits:

- Removable seat and flip up operators platform
- Rapid carriage retract
- Front & rear pointers
- Night operation light package
- Safety strobe lights
- Adjustable carriage travel limit switches
- Left & right adjustable depth control wheels
- Lift eyes
- 100 gallon fuel capacity allows for up to 10 hours of operation
- Power steering
- Rear crab steer allows for operation in small areas
- Grooves within 12" (30.48cm) of curb or barrier wall

Specifications:

Engine: Caterpillar C4.4 174HP (129.7Kw) @ 2200rpm turbo-charged/intercooled electronically controlled diesel engine. Meets U.S. EPA Tier 4 Final and EU stage IV emission requirements. Fuel consumption is approximately 10gph (37.8 LPH)

Fuel Capacity: 100 gallon (370L)

Hydraulic Oil Tank Capacity: 70 gallon (259L)

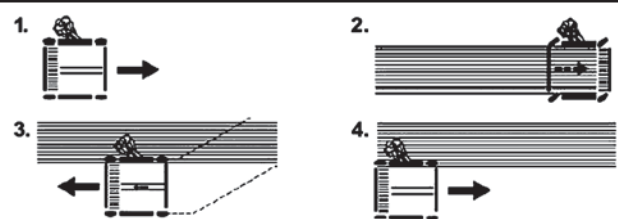
Dimensions: Length 7ft, 7in(231cm), Width 7ft, 7in(231cm), Height 10ft(304cm), Weight 12,000lbs(26,400kg)

Cutting Width: 38in(96.52cm)

Blade Diameter: 12in(30.48cm)

UNIQUE "CRAB" FEATURE

A switch is provided on the control panel which causes the rear drive wheels to pivot to 28 degrees. A quick turn of the steering wheel to full left lock positions the front wheels at the same 28 degrees. This allows the TBG130C to "crab" sideways while backing up and remain parallel to the previously cut grooves. The TBG130C can thus groove in a 12' wide lane and realign for the next pass in one backward movement. **NO MACHINE ON THE MARKET TODAY OFFERS THIS FEATURE .** (see diagrams to the right).



PC1500 PAVEMENT GRINDER & GROOVER



Features & Benefits:

- Capable of grinding to within 10" (25.4cm) of a vertical wall.
- Fast, nimble and easy to use.
- Equipped with odometer that measures total footage (meters) ground and has a resettable daily production odometer and feet (meters) per minute indicator.
- 5" (12.7cm) diameter blade shaft for use with 12" (30.48cm) diameter blades. Blades for grinding or grooving can be stacked up to 38" (96.52cm) cutting width.
- Front bogey assembly is adjustable for an effective wheelbase of 9' (2.74m) to 11' (3.35m) -center of cutting head to center of front bogey.
- On board vacuum system with diaphragm slurry pump and silencer.
- Depth control wheels are side to side adjustable for accurate cut matching.
- Manually adjusted grooving depth control wheels attach to mainframe on blade-shaft center line for accurate depth control.
- Excellent for airport grooving

CE
Certified

Specifications:

Engines:	Caterpillar® 7.1Liter 260HP (193.8kw)@ 2100rpm, Turbo-charged/inter-cooled, electronically controlled diesel engine. Meets EPA Tier 4, EU Stage IV Emission Requirements. Fuel Consumption 10gph (37.85L/HR)
Dimensions:	Length 29ft (8.83M), Width: 7ft (2.13M), Height 10ft (3.04M), Weight: 21,000lbs (9147kg)
Fuel Capacity:	150 gallons (567L)
Blade shaft:	5in diameter (12.7cm) with 4 draw bolts
Blade Diameter:	12in (30.48cm) 14in (35.56cm)
Cutting width:	38in (96.52cm)
Blade shaft RPM:	1400 rpm low range, 1900 rpm high range
Blade shaft Drive:	Engine power is transmitted through a manually operated PTO clutch to a right angle drive gearbox which drives a single Poly Chain GT Carbon belt.
Ground Drive:	Electronic joystick controlled closed loop hydrostatic ground drive with 2 hydraulic wheel motor assemblies with integral brakes and two speed function.
Travel Speed:	0-300fpm (68.58mpm)
Machine Controls:	Forward/Reverse electronic joystick with neutral lock and integral raise/lower switch. Power steering, water on/off, 2-Speed, Brake on/off, adjustable operators seat and removable foot platform, water pressure gauge and alarm, Hydraulic system pressure gauge
Engine Instruments:	Electronic screen displays engine RPM, oil pressure, coolant temp, engine hours, volt meter. Screen also provides for engine diagnostics and fault codes.

Call 1-800-225-0142 for more
information and pricing.



MADE IN THE
U.S.A.

CG-1 & CG-2 MINI GROOVER/GRINDERS

Easy to Use, Compact Grooving and Grinding Machines



CG-2 with a powerful 30 HP (22.3 kW) Lincoln® electric motor

10" Wide Capacity

Gasoline

Diesel

Electric

Features & Benefits:

- Compact and maneuverable machine that can be used for grooving and grinding applications
- Great for trenchwork and projects where large machines cannot access
- Self-propelled hydrostatic transmission
- Heavy duty construction to handle big jobs
- Power raise and lower system
- Up-cut grinding head rotation
- Accepts 12" blades

MINI-GROOVERS



Mini- Groover control panel with power raise and lower controls, drive control and gauge



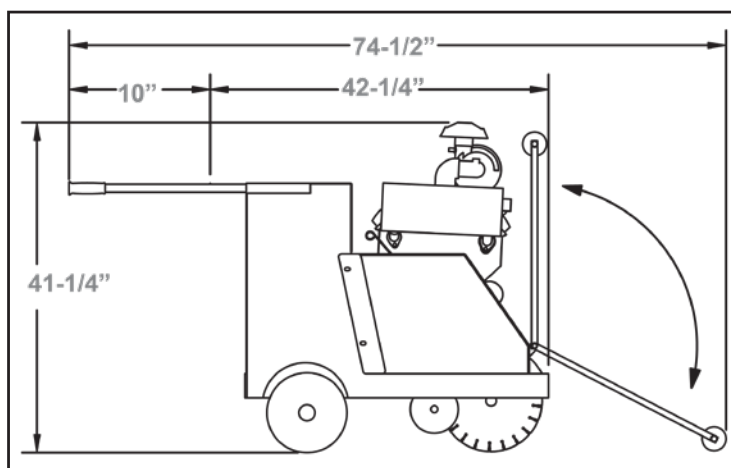
Blades and spacers sold separately



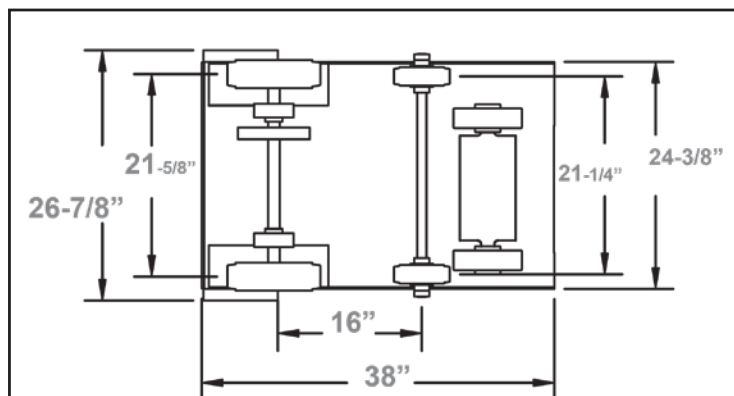
CG-1 & CG-2 MINI-GROOVERS

Model #	Engine/Capacity	Grinding Head Capacity (Width)	Part #	Cat #	Product Weight (lbs)	List Price
CG-1G24	20.5 HP (15.2 kW) Honda® GX760	10" (25.4cm)	5803003	08005	800	\$23,338
CG-1E15	15 HP (11.9 kW) Marathon® Electric	10" (25.4cm)	5803005	08009	780	24,345
CG-2E30	30 HP (22.31 kW) Lincoln® Electric	16" (40.64cm)	5803007	08985	1,800	33,200

Horsepower and torque as rated by the engine manufacturer.



Useful for creating textured anti-slip areas for improved traction



Uses 12" (30.48cm) diameter blades on a 10" (25.4cm) or 16" (40.64cm) grinding head with specifications that can be custom fit to your application

WARRANTIES

DIAMOND TOOLS LIMITED WARRANTY

Diamond Products Limited warrants all of its diamond tools against defects in material and workmanship for a period of one (1) year from the date of shipment to Customer. All laser welded blades and bits are warranted against segment loss due to weld failure. Determination of the applicability of warranty will be made after the product is inspected by our Warranty Claims Department. The warranty does not cover any tool which Diamond Products determines to have been used in an improper application, subjected to negligent abuse, improperly mounted, altered, involved in a non-application accident or miscellaneously damaged. **The responsibility of Diamond Products under this Warranty is limited to repair or replacement at Diamond Products' option free of charge. In no event shall Diamond Products be liable for consequential or incidental damages.** This warranty includes all labor, parts and shipping costs via UPS ground. Proof of purchase in the form of an invoice showing the date of shipment to be within one (1) year must accompany all warranty claims. Diamond Products reserves the right to prorate any warranty claim based upon a percentage of tool life prior to the failure in question.

**THIS WARRANTY IS IN LIEU OF ALL OTHER WARRANTIES EXPRESSED OR IMPLIED,
AND ALL SUCH OTHER WARRANTIES ARE HEREBY DISCLAIMED.**

EQUIPMENT LIMITED WARRANTY

Diamond Products warrants all products manufactured by it against defects in material and workmanship under normal use and service for a period of one (1) year from the date of shipment to Customer. **The responsibility of Diamond Products under this Warranty is limited to replacement or repair of defective parts at Diamond Products' Elyria, Ohio factory, or at a point designated by it, of such parts as shall appear to us upon inspection at such point, to have been defective in material or workmanship, with expense for transportation and labor born by Customer. In no event shall Diamond Products be liable for consequential or incidental damages arising out of the failure of any product to operate properly. Integral units such as gasoline engines, electric motors, batteries, tires, transmissions, etc., are excluded from this Warranty and are subject to prime manufacturer's warranty.**

**THIS WARRANTY IS IN LIEU OF ALL OTHER WARRANTIES EXPRESSED OR IMPLIED,
AND ALL SUCH OTHER WARRANTIES ARE HEREBY DISCLAIMED.**

ABRASIVES LIMITED WARRANTY

Diamond Products Limited warrants all of its abrasive products against defects in material and workmanship for a period of one (1) year from the date of shipment to Customer.

The warranty does not cover any products which Diamond Products determines to have been used in an improper application, subjected to negligent abuse, improperly mounted, altered, involved in a non-application accident or miscellaneously damaged. **The responsibility of Diamond Products under this Warranty is limited to repair or replacement at Diamond Products' option free of charge. In no event shall Diamond Products be liable for consequential or incidental damages.** This warranty includes all labor, parts and shipping costs via UPS ground. Proof of purchase in the form of an invoice showing the date of shipment to be within one (1) year must accompany all warranty claims. Diamond Products reserves the right to prorate any warranty claim based upon a percentage of product life prior to the failure in question.

**THIS WARRANTY IS IN LIEU OF ALL OTHER WARRANTIES EXPRESSED OR IMPLIED,
AND ALL SUCH OTHER WARRANTIES ARE HEREBY DISCLAIMED.**

WARRANTIES

HIGHWAY GROOVING MACHINERY LIMITED WARRANTY

Diamond Products Limited makes the following limited warranty:

Diamond Products warrants each new and unused grooving or grinding machine and accessory equipment sold by it (except items not manufactured by Diamond Products such as engines, pumps, transmissions, and other trade accessories sold with, attached to, or operated with Diamond Products' products), to be free from defects in material and workmanship under normal use and service for one (1) year from the date of shipment from the Diamond Products factory, the obligation under this warranty being limited to the replacement or repair at the Diamond Products factory, or at a point designated by it, of such parts as shall appear to it upon inspection at such point to have been defective in material or workmanship at the time sold, provided that the parts or parts claimed defective are returned to inspection points, transportation charges prepaid.

If after inspection of the returned products, Diamond Products determines that the defect is a result of misuse, mishandling, installation, abnormal conditions of operation, unauthorized repair or modification, or due to the Buyer's failure to install, maintain or operate the product in compliance with the written instructions, all expenses incurred by Diamond Products in connection with the replacement or repair of the product shall be for the account of the Buyer. Any product returned to Diamond Products for replacement shall become the property of Diamond Products.

The Buyer shall be responsible for all costs of shipping, customs clearance and other related charges in connection with Diamond Products' replacement or repair of products located outside the continental United States pursuant to the limited warranty.

This warranty applies only to new and unused grooving or grinding machines and accessory equipment which after shipment from the Diamond Products factory have not been altered, changed or repaired in any manner. **Maintenance items, such as filters, V-belts, air cleaners, wheels or Blade shaft bearings, are not covered under this warranty.** The validity, performance and interpretation of the limited warranty shall be governed by the internal laws (and not the laws of conflicts) of the State of Ohio. All disputes arising in connection with the limited warranty shall be resolved, if not sooner settled, by a court of competent jurisdiction located in Canyon County, Idaho, U.S.A.

Exclusive Remedy:

Replacement or repair of the Diamond Products' products as provided under this warranty is the Buyer's exclusive remedy. This exclusive remedy will not be deemed to have failed of its essential purpose so long as Diamond Products is willing and able to replace or repair any defective product in the prescribed manner. In the event Diamond Products fails to replace or repair the product as aforesaid, Diamond Products' entire liability shall not exceed the amount paid by the Buyer to Diamond Products for its purchase of the defective product.

Limitations on Warranty:

In no event shall Diamond Products be liable for any indirect, special, incidental, consequential or other damages, including but not limited to damage to or loss of property or equipment, lost revenues or profits, or harm to goodwill or business reputation directly or indirectly arising from the sale, handling or use of the product, or from any other cause relating thereto and Diamond Products' liability hereunder. Diamond Products shall not be liable to the Buyer for any claims, demand, injuries, damages, actions or causes of action what so ever based on negligence or strict liability.

Exclusions of Warranties:

Diamond Products, Limited makes no warranty that the products sold hereunder shall be merchantable or that such products shall be fit for any particular purpose. Moreover, Diamond Products makes no express or implied warranties except for the Limited Warranty outlined above. In addition, no representation or warranty, express or implied, made by any distributor, sales representative, or field agent of Diamond Products which is not specifically set forth herein shall be binding on Diamond Products.

**THIS WARRANTY IS IN LIEU OF ALL OTHER WARRANTIES EXPRESSED OR IMPLIED,
AND ALL SUCH OTHER WARRANTIES ARE HEREBY DISCLAIMED.**

PLACING ORDERS

Call: 1-800-321-5336

FAX: 1-800-634-4035

Our Customer Service Representative Will Need:

- Company name and billing address
- Shipping address, if different
- Email address
- Your Purchase Order No. and/or name
- Your Diamond Products Customer #
- Date Needed
- Resale, Tax or other special situations
- Special Instructions
- Product(s) desired:

Example:

<u>Quantity</u>	<u>Catalog #</u>	<u>Description</u>
1	12462	4" X .250 Standard Gold Dry Tuck Point Blade
1	01789	M-1 with CB748 Complete Combo Rig

CUSTOMER SERVICE POLICIES

FAST PAY DISCOUNT:

A Fast Pay Cash Discount will be allowed when payment is received in Elyria, Ohio within the terms specified on your invoice.

SALES TAX:

Sales tax will be charged where applicable unless a tax exemption certificate is provided.

REPAIRS:

Items returned for repair should be carefully packaged and accompanied by a Packing Slip with the following information:

- (RGA) number obtained from the Returns Dept. or Customer Service Dept.
- Your company name, address, phone and email
- List of items for repair
- Returned Goods Authorization
- Explanation of repair(s) needed
- Original invoice (warranty only)

TRIAL POLICY:

Purchase orders are requested and full payment is expected on all trial materials. Trials will be invoiced on the basis of normal ordering quantity that the customer is expected to purchase if the trial is successful. Orders must specify the exact number normally purchased and be invoiced on that basis. Trials proving only partially satisfactory, but usable, will be credited on the basis of the value received. Trials proving completely unsatisfactory receive full credit. The efficiency of the trial performance is the decision of the customer.

REPLACEMENT/REFUND:

All catalog items returned to stock are subject to a 15% restocking fee. Non-catalog items, special order items and any item beyond two (2) years from original invoice date are subject to a mandatory 50% restocking fee. Discontinued items and/or items purchased beyond four (4) years from original invoice date cannot be returned. Items returned for replacement or refund should be in original cartons and must be accompanied by a packing slip with the following information:

- Returned Goods Authorization (RGA) number obtained from Returns Dept or Customer Service Dept.
- List of items returned
- Reason(s) for return(s)
- Copy of original invoice(s)

FREIGHT POLICY:

Freight is paid on orders that include the following:

- **Three or more pieces of complete equipment** (*shipped within the continental U.S. is freight paid including FastCut® saws, hydraulic hand saws, CB500 hand held motor, Weka® hand held drill motors and hydraulic/pneumatic hand held motors. Applies to hand held motors only - not mounted motors. Parts not included*)
- **Diamond blades, bits and abrasive orders totaling \$400.00 or more net.** (*freight paid via ground or truck -excluding carbide core bits and threaded caps and barrels. Premium shipping (i.e. 2nd day or overnight is always charged.)*)
- **Diamond blade, bits and abrasive orders totaling \$800.00 or more net that include equipment parts** (*freight paid via ground or truck. Parts on the same order will be freight paid but must have the \$800.00 in diamond tools included. Factory freight fee is waived under this guideline. This does not apply to: transmissions, motors or engines, hydraulic pumps or fuel cases. This also does not apply to equipment parts from our Nampa, ID facility.*)

Other Freight Policy Details:

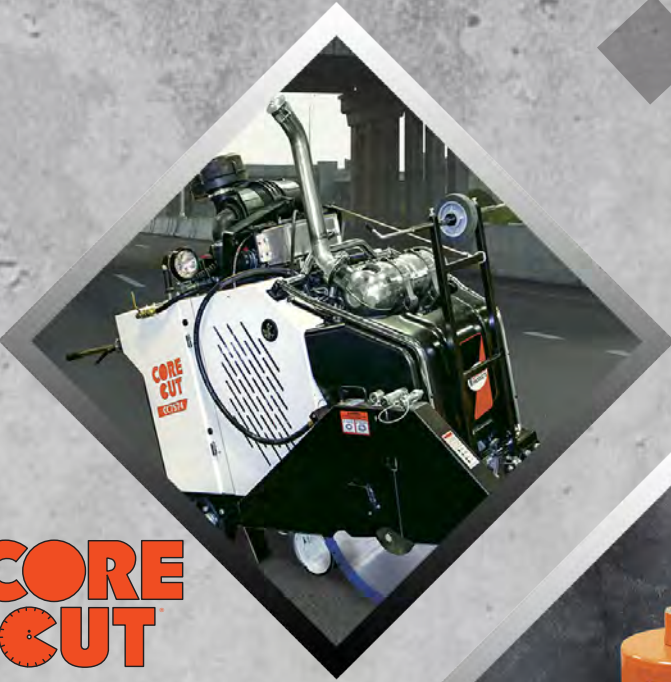
Equipment being picked up or shipped from a warehouse is subject to additional freight charges. Equipment parts are charged freight. Shipments to Puerto Rico have a minimum of \$4,000 (abrasives), \$3,000 (diamond blades and bits).

Diamond Products Limited reserves the right to update pricing as needed during the catalog effective dates.

Call (800) 321-5336

To open your internet account for order status, shipping information, order confirmation or net pricing register online at: www.diamondproducts.com

Manufacturers of Diamond Blades, Core Bore and Equipment for the Construction Industry



**CORE
CUT**



**CORE
VAC**



**CORE
BORE**



TYROLIT



**CORE
PROP**



www.diamondproducts.com



U.S.A. Pricing
Valid January 5, 2019
to January 5, 2020



**DIAMOND
PRODUCTS®**

Quality Is Choice

Diamond Products Limited
333 Prospect St., Elyria, Ohio 44035
Toll Free: 800-321-5336
Fax: 800-634-4035