

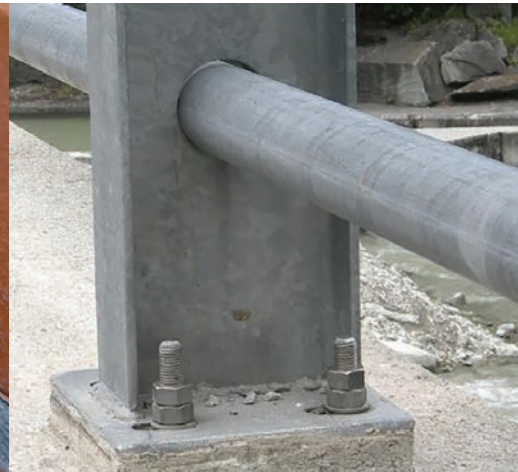


ADHESIVE ANCHORING

ADHESIVE SELECTION GUIDE

- Suitable
- May be Suitable

	Page	Base Material								Anchor Diameter								Anchor Chemistry		Elements			Hole Condition		Code Recognition					
		Concrete	Lightweight Concrete	Grout-filled Concrete Masonry	Hollow Concrete Masonry	Solid Brick	Hollow Brick	Stone	Structural Clay/Tile	1/4"	3/8" (#3)	1/2" (#4)	5/8" (#5)	3/4" (#6)	7/8" (#7)	1" (#8)	1-1/4" (#10)	1-3/8"	1-1/2"	1-3/4"	2"	Coated/Plated Carbon Steel	Type 304 Stainless Steel	Epoxy		Ester Based Resin	Polyurethane	MS Polymer	Dry	Wet
Injection Adhesives	Sure-Set™ ACR-10 ACR-28	40	●	○	●	●	●	●	○	○		●	●	●	●	●	●						●	●	●			●	●	ER-668
	Sure-Set™ PE-10 PE-21	42	●	○	●	●	●	●	○	○	○	●	●	●	●	●	○	○	○	○	○	○	●	●	●			●	●	ICC-ES ESR 4412



Aerosmith Sure-Set™ Epoxy

At Aerosmith Fastening Systems, your health and safety on the construction site, is job one. That's why we ensure that all the adhesives we sell carry the highly recognized ICC-ES and IAPMO Certified Approvals. What this means is that these products have gone through extensive and rigorous testing to not only ensure product quality, but more importantly when used appropriately, perform as intended with your safety and the safety of others at the forefront.

PRODUCT INFORMATION:

Sure-Set Pure Epoxy is a two-component 1:1 ratio pure epoxy bonded anchoring system for use in cracked and uncracked concrete under normal, as well as, seismic conditions (seismic category C1). Designed for the most demanding structural applications and rebar connections, Sure-Set™ Epoxy, offers high load capacities when used in conjunction with threaded rod, rebar or steel dowels. The Aerosmith Adhesive System includes a two part adhesive packaged within plastic cartridges, a mixing nozzle is also packaged in with each tube to ensure proper mixing occurs. Dispensing tools and hole cleaning equipment is also available to ensure proper installation. Sure Set Epoxy is a 100% epoxy resin that has been formulated with no MXDA, Phenol, N-Methyl Pyrrolidone, Bisphenol A, Phthalates or VOCs. This formulation exhibits minimal shrinkage which makes it ideal for use with oversized holes. In addition, the extended gel time also allows convenient use in deep holes and when used in high ambient temperatures.

APPLICATIONS:

- Structural applications in cracked and uncracked concrete
- Building facades
- Post installed rebar connections
- Crash barriers
- The attachment of structural steel
- Railings
- Signage
- Rebar doweling
- Sill plate attachments: suitable for horizontal, vertical and overhead anchoring applications.

IMPORTANT INFORMATION:

- Can be used with threaded rod diameter range 3/8" - 1-1/4"
- Can be used with reinforcing rebar #3, #4, #5, #6, #7, #8 and #10
- Storage life is two years (24 Months) in dry conditions, when kept at temperatures ranging from 41°F to 95°F
- High load capacities (see ICC-ESR 4412) for performance data
- Easy access when using designed nozzle into pre-drilled holes
- Can be used in wet and or dry environments
- Sure-Set™ epoxy enables the user more working time before adhesive set up
- High bond strengths when fully cured

BASE MATERIALS:

- Concrete
- Hard natural stone
- Solid rock
- Solid masonry

APPROVALS AND LISTING:

ICC-ES ESR-4412 Cracked and Uncracked Concrete Category 1

Code Compliant IBC Listed (International Building Code)

Code Compliant IRC Listed (International Residential Code)

Code Compliant FBC Listed (Florida Building Code)

Code Compliant FRC Listed (Florida Residential Code)

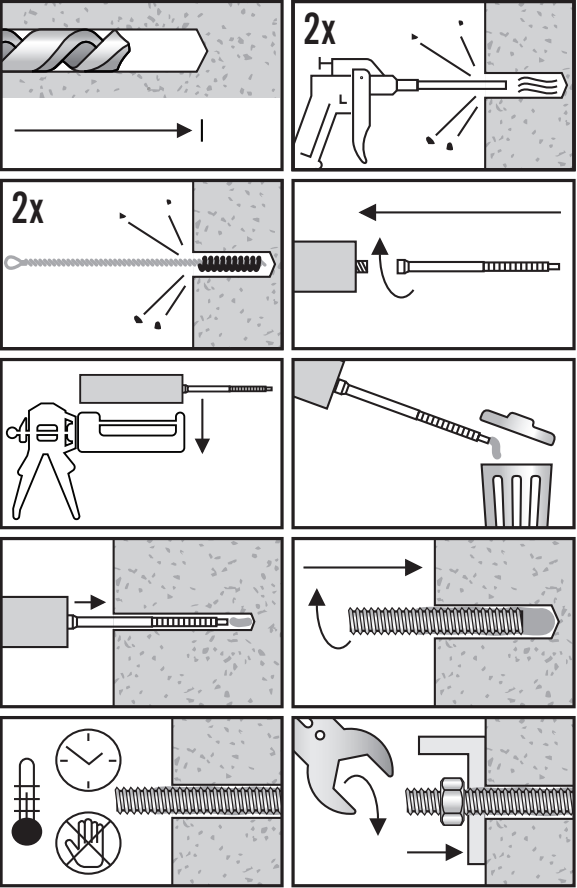
Code Compliant COLA Listed (City of Los Angeles)

Tested in accordance with AC308 and AC58 for use in structural concrete and masonry

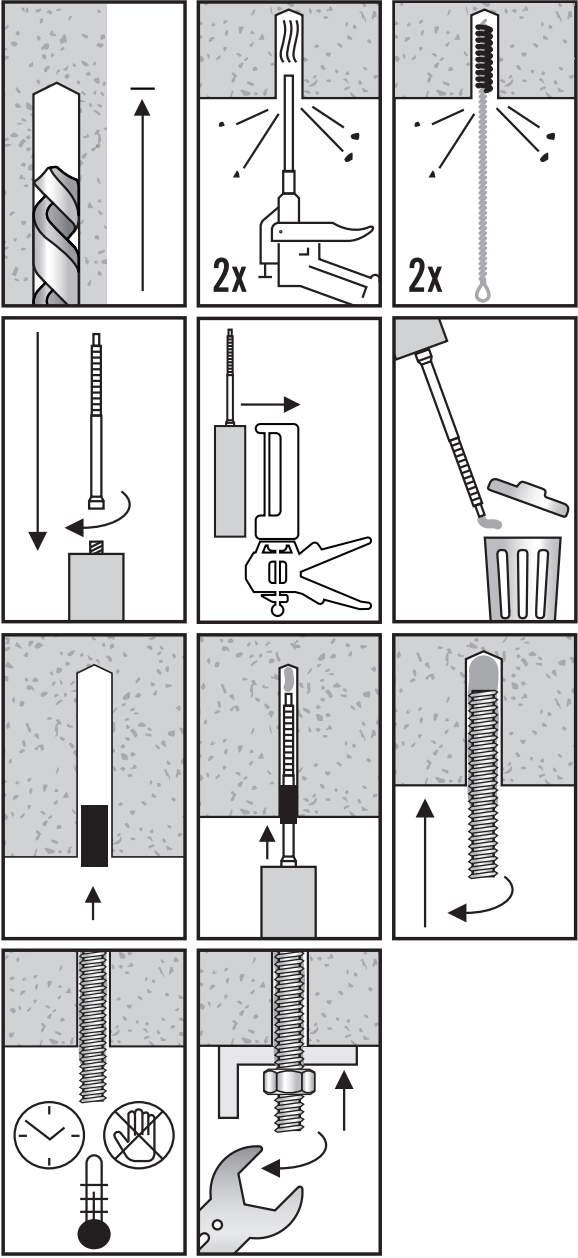


Part ID	Product	Cartridge size	Carton Quantity
PE-10	Sure-Set™ PE-10	10 oz (8.5 fluid ounces)	12
PE-21	Sure-Set™ PE-21	21 oz (21 fluid ounces)	12

INSTALLATION INSTRUCTIONS WHEN USED IN SOLID BASE MATERIALS



INSTALLATION INSTRUCTIONS WHEN USED IN OVERHEAD APPLICATIONS



Aerosmith Sure-Set™ Epoxy Acrylate (Acrylic)

At Aerosmith Fastening Systems, your health and safety on the construction site, is job one. That's why we ensure that all the adhesives we sell carry the highly recognized ICC-ES and Iamco Certified Approvals. What this means is that these products have gone through extensive and rigorous testing to not only ensure product quality, but more importantly when used appropriately, perform as intended with your safety and the safety of others at the forefront.

With that in mind, Aerosmith Fastening Systems is pleased to announce its new line of Sure-Set™ Epoxy Acrylate (Acrylic), available in both 10 ounce and 28 ounce cartridge sizes.

PRODUCT INFORMATION:

The Sure-Set™ ACR is the most environmentally friendly resin system within our range, while exhibiting outstanding performance in concrete, masonry, and other base materials. It is ideally suited for high load/heavy duty structural anchoring applications. It can be used with threaded rod, reinforcing bar, and steel dowels in solid base materials or in conjunction with an Aerosmith screen tube for hollow based anchoring applications. It is free of styrene's, the Sure-Set™ ACR formulation has a very low odor and is well suited for use indoors and in confined spaces. It also has a very low VOC content and no hazard symbols are required to be displayed on the product label, nor it is hazardous for any mode of transportation.

The Sure-Set™ ACR has not only been evaluated by Iamco, it has also been fire tested and has received fire resistance classification F120 (for use with threaded bars) & F240 (for use with rebars). For those operating in markets where American building codes are recognized, ACR can offer Evaluation Service Report from IAPMO ER-668.

APPLICATIONS:

- For use in structural applications in cracked and uncracked concrete (category 1) for threaded rod, reinforcing bars, & steel dowels
- Suspended ventilation systems
- Safety barriers
- Machinery & heavy machinery
- Rolling cranes
- Structural steel to concrete applications

IMPORTANT INFORMATION:

- Is approved and listed for cracked and uncracked concrete category 1
- Can be used in low and high strength concrete
- Product is styrene free
- Can be used in dry and wet environments
- Can be used overhead with epoxy resin stoppers
- Product has been seismic tested
- Product is fire resistant
- Product has a low odor formulation and can be use in both indoor and outdoor applications
- Product mixes through dispensing nozzle, no premixing required

BASE MATERIALS:

- Concrete
- Solid & hollow masonry (If using in hollow base material applications a stainless steel or nylon screen tube is needed to encapsulate the adhesive)
- Hard natural stone
- Solid rock
- Voided stone or rock

APPROVALS AND LISTING:

IAPMO ER-668 For use in Cracked and Uncracked Concrete category 1

IBC Listed (International Building Code)

IRC Listed (International Residential Code)

FBC Listed (Florida Building Code)

FRC Listed (Florida Residential Code)

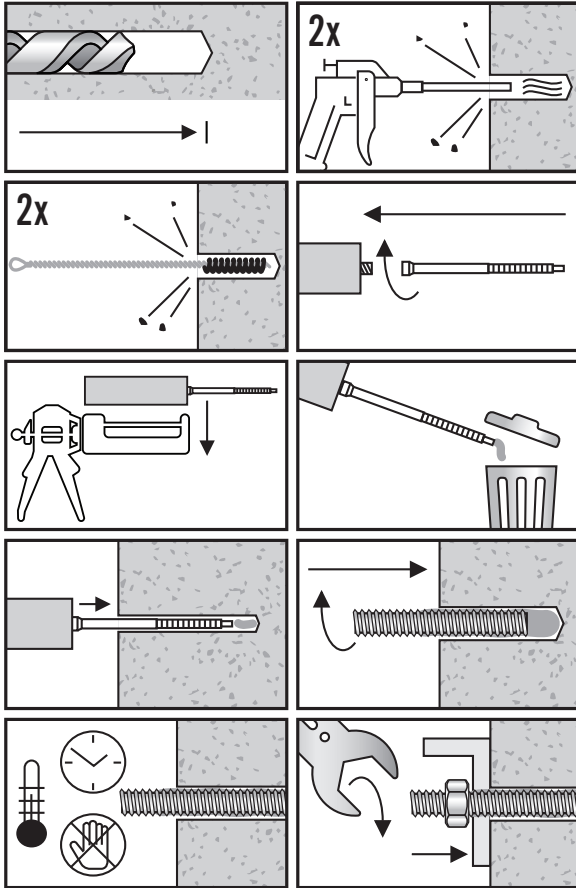
COLA Listed (City of Los Angeles)

Tested in accordance with AC308 and AC58 for use in structural concrete and masonry

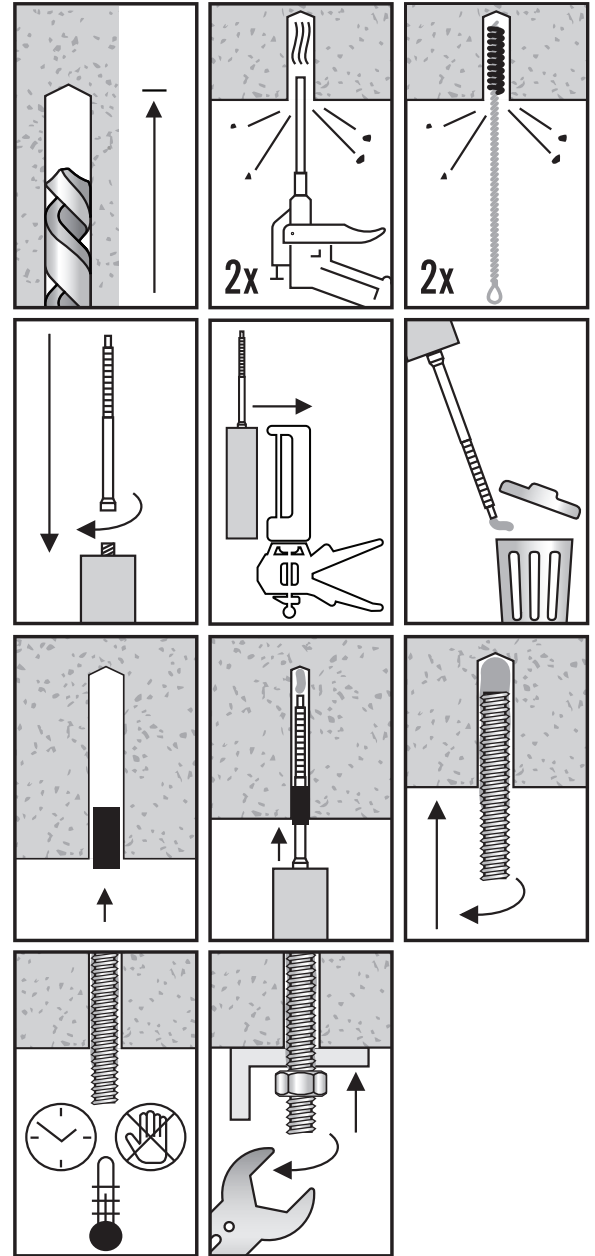


Part ID	Product	Cartridge size	Carton Quantity
ACR-10	Sure-Set™ ACR-10	10 oz (8.5 fluid ounces)	12
ACR-28	Sure-Set™ ACR-28	28 oz (27.9 fluid ounces)	8

INSTALLATION INSTRUCTIONS WHEN USED IN SOLID BASE MATERIALS

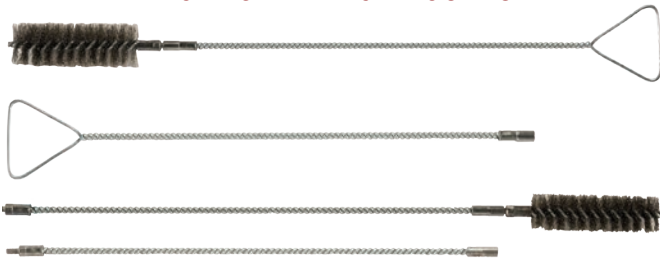


INSTALLATION INSTRUCTIONS WHEN USED IN OVERHEAD APPLICATIONS



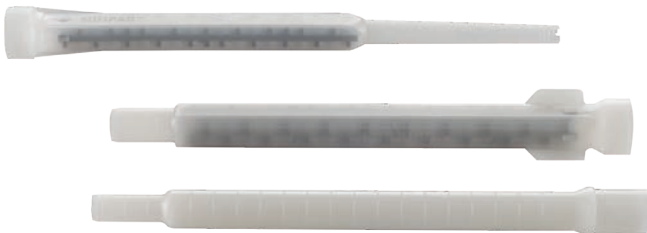
SURE-SET™ PURE EPOXY ACCESSORIES

HOLE CLEANING BRUSHES



Part ID	Description	Box Quantity
716BRUSH	3/8 Brush - 7/16 Hole	1
916BRUSH	1/2 Brush - 9/16 Hole	1
1116BRUSH	5/8 Brush - 11/16 Hole	1
78BRUSH	3/4 Brush - 7/8 Hole	1
1BRUSH	7/8 Brush - 1 Hole	1
118BRUSH	1 Brush - 1 1/8 Hole	1
138BRUSH	1 1/4 Brush - 1 3/8 Hole	1
112BRUSH	1 3/8 Brush - 1 1/2 Hole	1

PURE EPOXY MIXING NOZZLES



Part ID	Description	Bag Quantity	Carton Quantity
MN1021	Mixing Nozzle for 10 and 21 ounce Pure Epoxy	5	25
MN1021L	Mixing Nozzle for 10 and 21 ounce Pure Epoxy (Deep Holes)	5	25

EXTENSION TUBES

Part ID	Description	Box Quantity	Carton Quantity
ET38	3/8 inch Extension Tubing	1	12
ET916	9/16 inch Extension Tubing	1	12

DISPENSING TOOLS



Part ID	Description	Box Quantity
DT10	Sure-Set Manual Dispensing Tool 10 oz	1
DT22	Sure-Set Manual Dispensing Tool 22 oz	1
DTHD10	Sure-Set Heavy Duty Dispensing Tool 10 oz	1
DTHD22	Sure-Set Heavy Duty Dispensing Tool 22 oz	1

SCREEN TUBES - STAINLESS STEEL



Part ID	Description	Box Quantity
386SCREEN	3/8 x 6 300 Stainless Steel Screen	25
3810SCREEN	3/8 x 10 300 Stainless Steel Screen	25
126SCREEN	1/2 x 6 300 Stainless Steel Screen	25
1210SCREEN	1/2 x 10 300 Stainless Steel Screen	25
586SCREEN	5/8 x 6 300 Stainless Steel Screen	10
346SCREEN	3/4 x 6 300 Stainless Steel Screen	20

EPOXY STOPPERS



Part ID	Description	Box Quantity	Carton Quantity
ES18	18MM Epoxy Stoppers overhead	10	100
ES22	22MM Epoxy Stoppers overhead	10	100
ES30	30MM Epoxy Stoppers overhead	10	100

SURE-SET™ EPOXY ACRYLATE (ACRYLIC) ACCESSORIES

HOLE CLEANING BRUSHES



Part ID	Description	Box Quantity
716BRUSH	3/8 Brush - 7/16 Hole	1
916BRUSH	1/2 Brush - 9/16 Hole	1
1116BRUSH	5/8 Brush - 11/16 Hole	1
78BRUSH	3/4 Brush - 7/8 Hole	1
1BRUSH	7/8 Brush - 1 Hole	1
118BRUSH	1 Brush - 1 1/8 Hole	1
138BRUSH	1 1/4 Brush - 1 3/8 Hole	1
112BRUSH	1 3/8 Brush - 1 1/2 Hole	1

ACRYLIC MIXING NOZZLES



Part ID	Description	Bag Quantity	Carton Quantity
MNA10	Mixing nozzle for 10 Ounce Acrylic Adhesive	5	25
MNA28	Mixing nozzle for 28 Ounce Acrylic Adhesive	5	25

EXTENSION TUBES

Part ID	Description	Box Quantity	Carton Quantity
ET38	3/8 inch Extension Tubing	1	12
ET916	9/16 inch Extension Tubing	1	12

DISPENSING TOOLS



Part ID	Description	Box Quantity
DT10	Sure-Set Manual Dispensing Tool 10 oz	1
DTHD10	Sure-Set Heavy Duty Dispensing Tool 10 oz	1
DT28	Sure-Set HD Manual Dispensing Tool 28 oz	1

SCREEN TUBES - STAINLESS STEEL



Part ID	Description	Box Quantity
386SCREEN	3/8 x 6 300 Stainless Steel Screen	25
3810SCREEN	3/8 x 10 300 Stainless Steel Screen	25
126SCREEN	1/2 x 6 300 Stainless Steel Screen	25
1210SCREEN	1/2 x 10 300 Stainless Steel Screen	25
586SCREEN	5/8 x 6 300 Stainless Steel Screen	10
346SCREEN	3/4 x 6 300 Stainless Steel Screen	20

EPOXY STOPPERS



Part ID	Description	Box Quantity	Carton Quantity
ES18	18MM Epoxy Stoppers overhead	10	100
ES22	22MM Epoxy Stoppers overhead	10	100
ES30	30MM Epoxy Stoppers overhead	10	100